





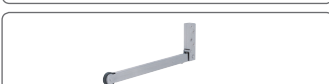














Miscellaneous Hardware



simplicity can be beautiful and functional

AT-04, AT-05.....	MH54	DS-094	MH 10
CH-202	MH25	DS-095	MH 10
CH-205SS	MH25	DS-096	MH 4
CH-206SS	MH25	DS-097	MH 4
CH-207SS	MH25	DS-098	MH10
CH-208SS	MH25	DS-099	MH9
CH-501D, CH-501D-S	MH23	DS-100 / DS-100S.....	MH10
CH-502D, CH-502D-S	MH24	DT-052 (38kgs) (5', 6', 8', 10').....	MH31
DB-008	MH14	DT-054 (65kgs) (5', 6', 8', 10').....	MH31
DB-008K	MH14	DT-056 (100kgs) (5', 6', 8', 10').....	MH31
DB-036A	MH14	DT-052C (38kgs) (5', 6', 8', 10')	MH47
DC-011	MH30	DT-054C (65kgs) (5', 6', 8', 10')	MH47
DC-018	MH28	DT-052T (38kgs) (5', 6', 8', 10')	MH33
DC-063	MH30	DT-054T (65kgs) (5', 6', 8', 10')	MH33
DG-106N	MH28	DT-056T (90kgs) (5', 6', 8', 10')	MH33
DG-109	MH28	DT-061-N (85kgs) (5', 6', 8', 10')	MH35
DG-110	MH28	DT-061-SH-N (85kgs) (5', 6', 8', 10')	MH37
DG-111	MH28	DT-061T-N (85kgs) (5', 6', 8', 10')	MH39
DP-042	MH30	DT-061T-SH-N (85kgs) (5', 6', 8', 10')	MH41
DP-042XL	MH30	DT-081 (38kgs) (5', 6', 8', 10').....	MH43
DS-003	MH 4	DT-082 (120kgs) (5', 6', 8', 10').....	MH43
DS-005	MH 6	DT-081T (38kgs) (5', 6', 8', 10').....	MH45
DS-024	MH 9	DT-082T (120kgs) (5', 6', 8', 10').....	MH45
DS-025	MH 9	DT-081C (38kgs) (5', 6', 8', 10')	MH49
DS-027	MH 9	DT-082C (65kgs) (5', 6', 8', 10')	MH49
DS-028	MH 4	DT-081FD (38kgs) (5', 6', 8', 10')	MH51
DS-029	MH 4	DT-081FD-1, 2, 3, 4.....	MH51
DS-029H.....	MH 4	DV-014C.....	MH29
DS-032	MH 6	DV-015, 015C.....	MH29
DS-037	MH 4	FB-019.....	MH13
DS-038	MH 4	FB-055.....	MH13
DS-040	MH 9	FB-069.....	MH13
DS-046S	MH 8	KP-3001, 3002.....	MH15
DS-046L	MH 8	KP-3006XS, S, L	MH16
DS-050	MH 6	KP-3008A, B, D.....	MH16
DS-051	MH 6	KP-3013.....	MH18
DS-053	MH15	KP-3015.....	MH17
DS-060 / DS-060S	MH 6	KP-3017.....	MH18
DS-068	MH 6	KP-3018.....	MH17
DS-071	MH 6	KP-3019XS, S, L	MH16
DS-073	MH 8	KP-3020.....	MH18
DS-083	MH12	KP-3021XS, S, L	MH17
DS-084	MH 4	KP-3022XS, S, L	MH17
DS-085	MH12	KP-3023.....	MH17
DS-086	MH 6	KP-3024.....	MH18
DS-088	MH 10	KP-3025.....	MH18
DS-089	MH 10	OH-101 / OH-101S	MH21
DS-090	MH 10	SS-8114.....	MH27
DS-091	MH 4	4330BB.....	MH27
DS-092	MH 4	4430BB.....	MH27
DS-093	MH 4	Finishes.....	MH55-57

	Door Stops (Floor Mounts)	MH4 - 5
	Door Stops (Wall Mounts)	MH6 - 7
	Door Holders (Door Mounts)	MH8
	Door Holders with Magnetic / Door Holders with Hook (Wall / Floor Mounts)	MH9 - 12
	Flush Bolts	MH13
	Indicating Bolts	MH14
	Door Selector	MH15
	Retractable Push Button Knobs	MH15
	Flush Pulls	MH16 - 20
	Offset Pivot Hinge	MH21 - 22
	Hinges ; Aid Tool	MH23 - 27 ; MH-54
	Door Chain / Door Guards	MH28
	Brass Door Viewers	MH29
	Door Catches	MH30
	Dustproof Sockets	MH30
	Sliding Door Track Sets	MH31 - 46
	Concealed Type Sliding Door Track Sets	MH47 - 50
	Folding Type Sliding Door Track Sets	MH51 - 53
	List and symbols of materials and finishes	MH55 - 57

DOOR STOPS

Floor Mounts

Standard Finishes:
F21, F22, F91~F102,
F91T~F108T,
PVD (by request)

DS-003

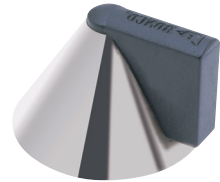
Material : Zinc alloy



F102

DS-028

Material : Zinc alloy



F21

DS-029

Material : Zinc alloy



F21

DS-029H

Material : Zinc alloy



F97

DS-037

Material : Zinc alloy



F94T

DS-038

Material : Zinc alloy



F96T

DS-084

Material : Brass



F21

DS-091

Material : Zinc alloy



F22

DS-092

Material : Zinc alloy



F305

DS-093

Material : Zinc alloy



F22

DS-096

Material : Zinc alloy



F91

DS-097

Material : Zinc alloy

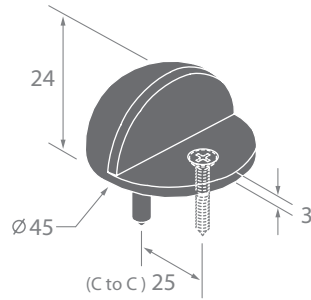


F108T

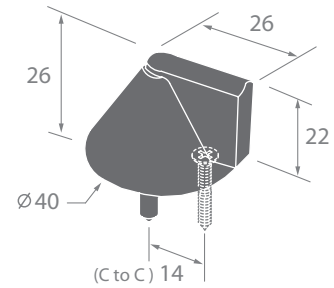
DOOR STOPS

Floor Mounts

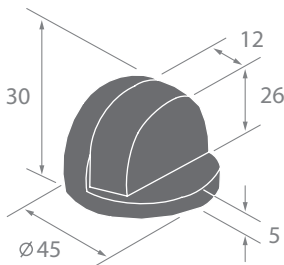
Dimensions
in millimeters



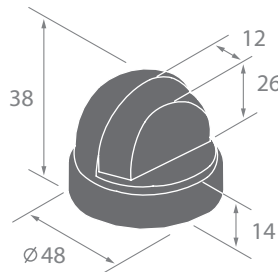
DS-003



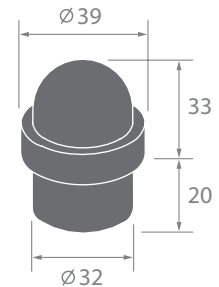
DS-028



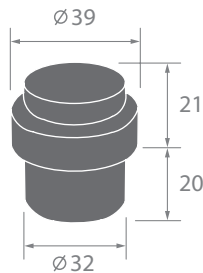
DS-029



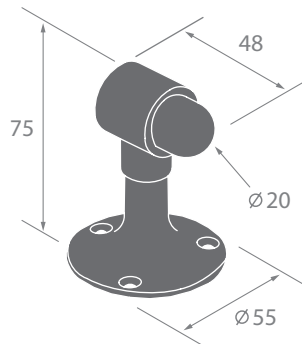
DS-029H



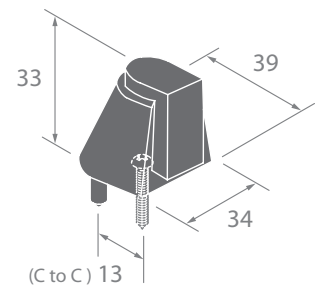
DS-037



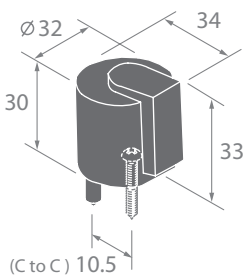
DS-038



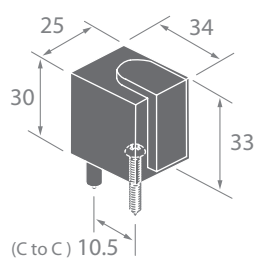
DS-084



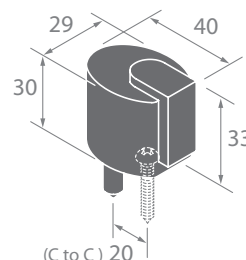
DS-091



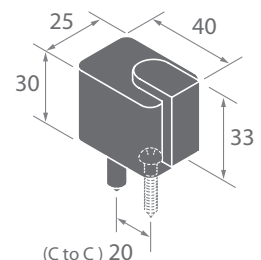
DS-092



DS-093



DS-096



DS-097

DOOR STOPS

Wall Mounts

Standard Finishes:
F21, F22, F91~F102,
F91T~F108T,
PVD (by request)

DS-005

Material : Zinc alloy



F91

DS-032

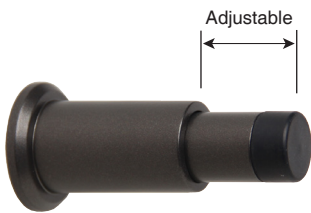
Material : Stainless steel



F25

DS-050

Material : Zinc alloy
Adjustable : 68 - 98mm



F97

DS-051

Material : Zinc alloy



F94T

DS-060

Material : Brass



F106T

DS-060S

Material : Brass



F102T

DS-068

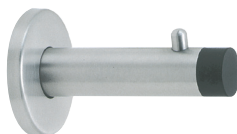
Material : Zinc alloy



F93

DS-071

Door stop with hook
Material : Stainless steel



F24

DS-086

Material : Brass

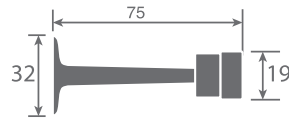


F97

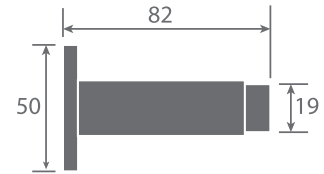
DOOR STOPS

Wall Mounts

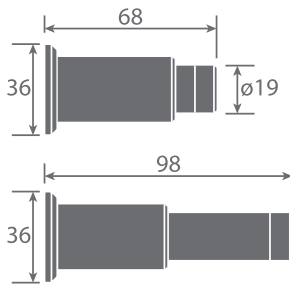
Dimensions
in millimeters



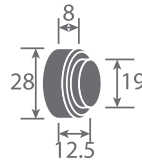
DS-005



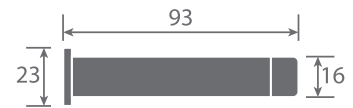
DS-032



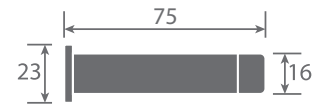
DS-050



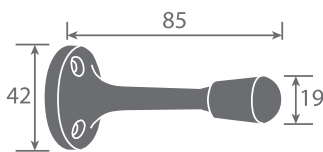
DS-051



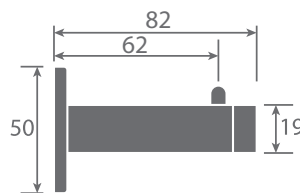
DS-060



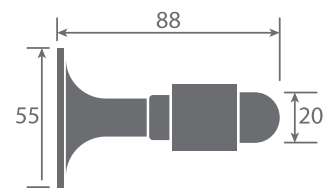
DS-060S



DS-068



DS-071



DS-086

DOOR HOLDERS

Door Mounts

Standard Finishes:

F21, F22, F91~F102,
F91T ~F108T

DS-046S

Material : Zinc alloy



F93

DS-046L

Material : Zinc alloy



F91

DS-073

Material : Zinc alloy



F21

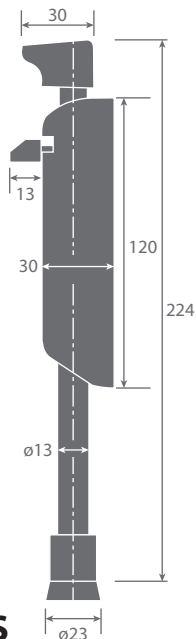


*spring function for holding the door firmly.

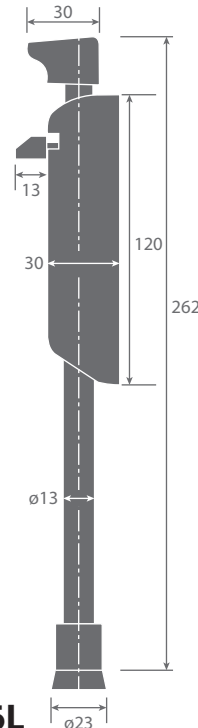
DOOR HOLDERS

Door Mounts

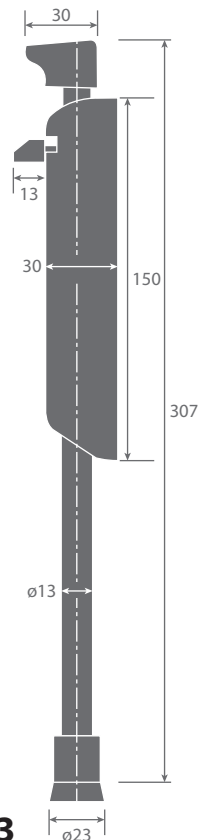
Dimensions
in millimeters



DS-046S



DS-046L



DS-073

DOOR HOLDERS WITH MAGNETIC

Wall / Floor Mounts

Standard Finishes:

F21, F22, F91~F102,
F91T ~F108T, PVD (by request)

DS-040

Wall / Floor type magnetic door holder
(Either floor or wall fixing)
Material: Zinc alloy



F97

F22

DS-027

Wall / Floor type magnetic door holder
(Either floor or wall fixing)
Material: Zinc alloy



F305

DS-099

Floor type magnetic door holder
Material: Stainless steel



F100T

DS-024

Floor type magnetic door holder
(turn the rubber around if magnetic is not needed)
Material: Zinc alloy



F22

DS-025

Floor type magnetic door holder
(turn the rubber around if magnetic is not needed)
Material: Zinc alloy



F96T

DOOR HOLDERS WITH MAGNETIC

Wall / Floor Mounts

Standard Finishes:

F21, F22, F91~F102,
F91T ~F108T, PVD (by request)

DS-088

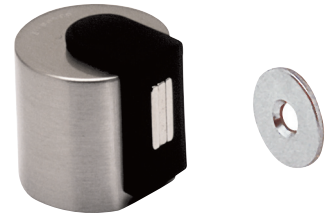
Floor type magnetic door holder
Material: Zinc alloy



F93

DS-089

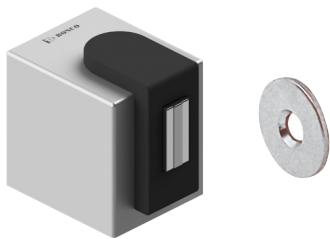
Floor type magnetic door holder
Material: Zinc alloy



F22

DS-090

Floor type magnetic door holder
Material: Zinc alloy



F94T

DS-094

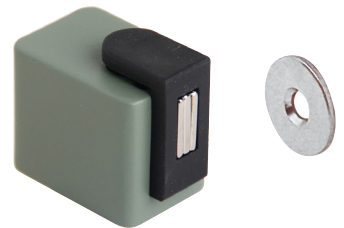
Floor type magnetic door holder
Material: Zinc alloy



F91

DS-095

Floor type magnetic door holder
Material: Zinc alloy



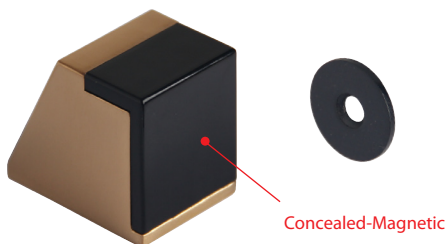
F104T

DS-098

NEW

PATENTED

Floor type magnetic door holder
Material: Zinc alloy



F302

DS-100

NEW

Wall type magnetic door holder
Material: Zinc alloy & aluminium



F100

DS-100S

NEW

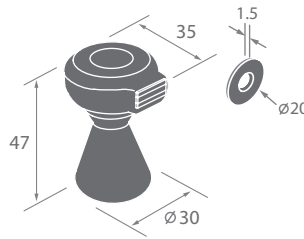


F102T

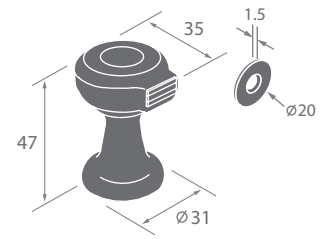
DOOR HOLDERS WITH MAGNETIC

Wall / Floor Mounts

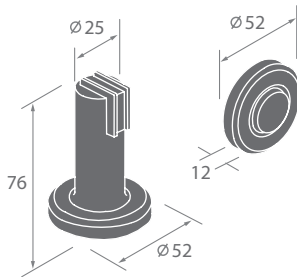
Dimensions
in millimeters



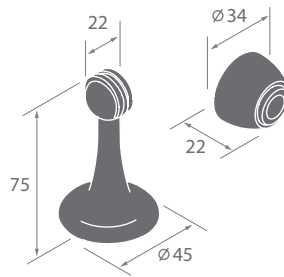
DS-024



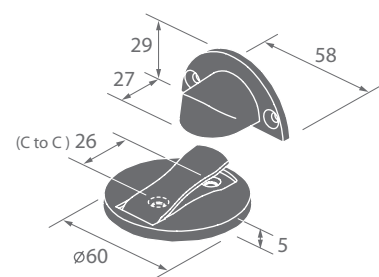
DS-025



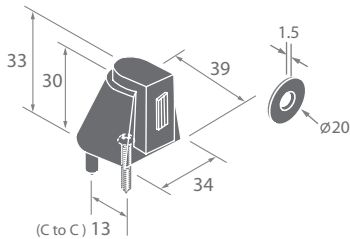
DS-027



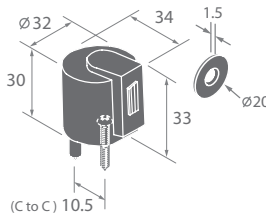
DS-040



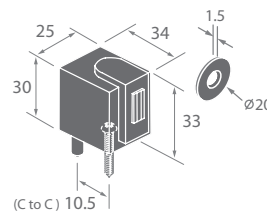
DS-099



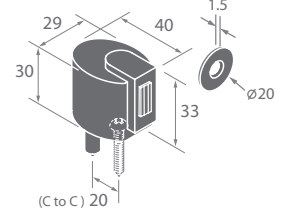
DS-088



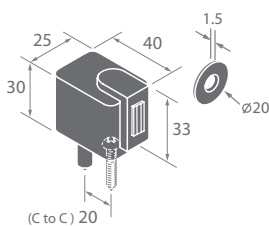
DS-089



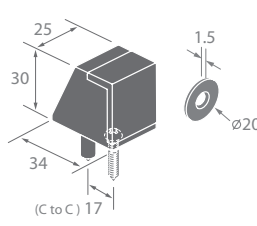
DS-090



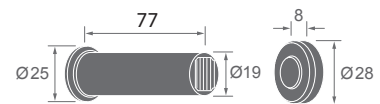
DS-094



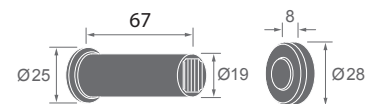
DS-095



DS-098 **NEW**



DS-100 **NEW**



DS-100S **NEW**

DOOR HOLDERS WITH HOOK

Wall / Floor Mounts

Standard Finishes:

F21, F22, F91~F102,
F91T ~F108T, PVD (by request)

DS-083

Floor type door holder with hook
Material: Brass



F21

DS-085

Wall type door holder with hook
Material: Brass

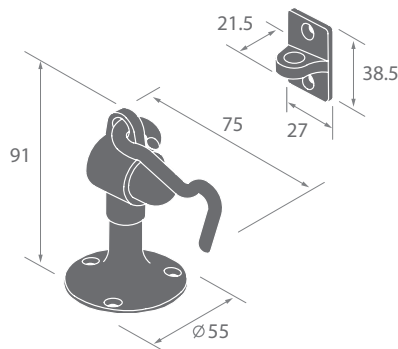


F91

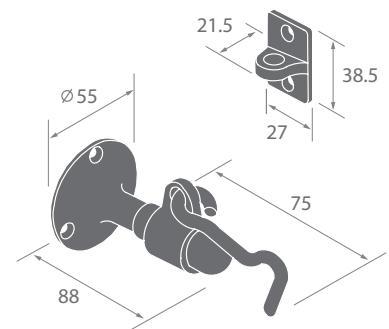
DOOR HOLDERS WITH HOOK

Wall / Floor Mounts

Dimensions
in millimeters



DS-083



DS-085

FLUSH BOLTS

Standard Finishes:
 F24, F25, F91~F102,
 F91T~F108T,
 PVD (by request)

FB-019

Material : Stainless steel

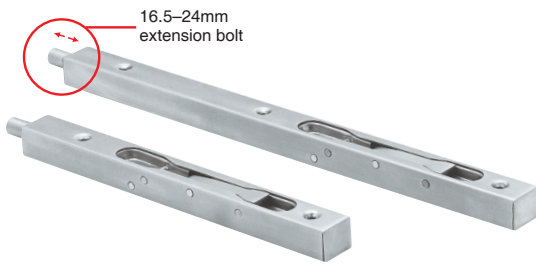


F97

(passed 70,000 cycle test)

FB-055

Material : Stainless steel

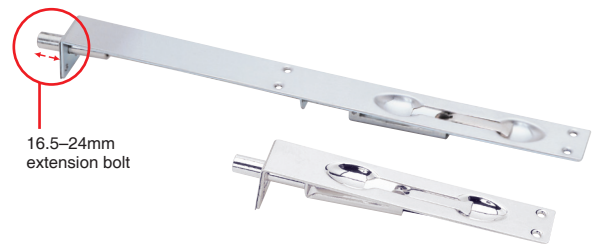


F24

(passed 70,000 cycle test)

FB-069

Material : Stainless steel

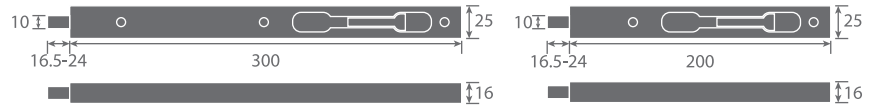


F25

(passed 70,000 cycle test)

FLUSH BOLTS

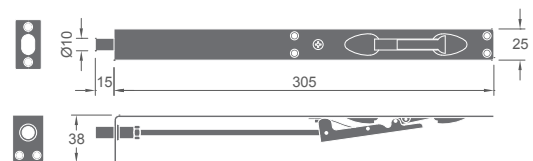
Dimensions
in millimeters



FB-019



FB-055



FB-069

INDICATING BOLTS

Standard Finishes:
F21, F22, F91~F102,
F91T ~F108T

DB-036A

Indicating bolt
Material : Zinc alloy



DB-008

PATENTED

Indicating bolt
Material : Zinc alloy



DB-008K

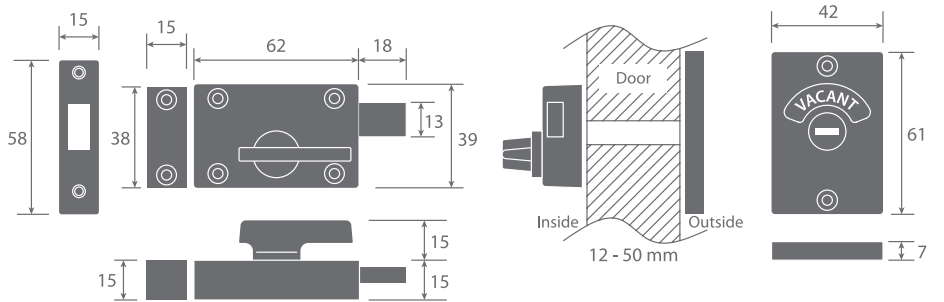
PATENTED

Barrel bolt
Material : Zinc alloy

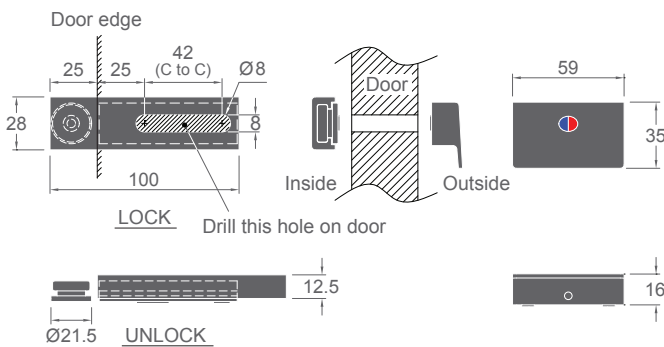


FLUSH BOLTS

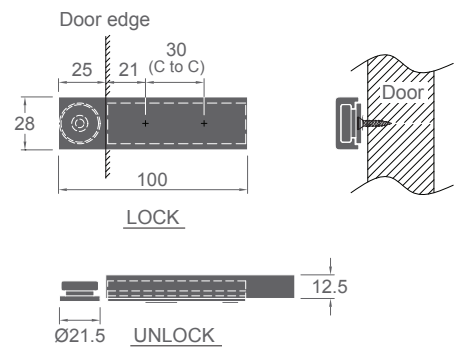
Dimensions
in millimeters



DB-036A



DB-008



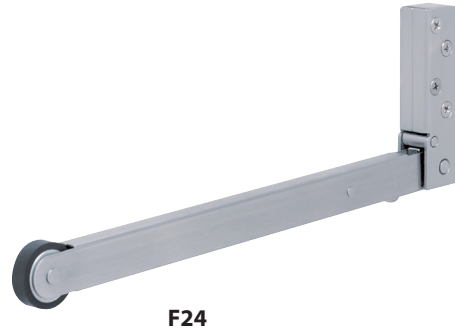
DB-008K

DOOR SELECTOR

Standard Finishes:
F24, F91~ F102 ,
F91T ~ F108T

DS-053

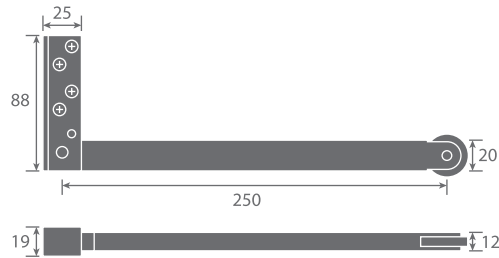
Door Selector
Material : Stainless steel



F24

DOOR SELECTOR

Dimensions
in millimeters



DS-053

RETRACTABLE PUSH BUTTON KNOB

Standard Finishes:
F21, F22, F31, F32

KP-3001

Material : Zinc alloy



F22

KP-3002

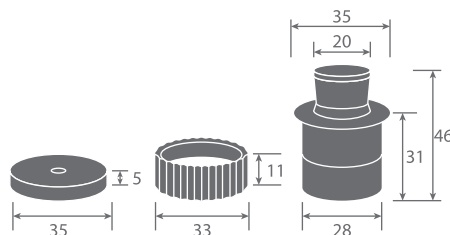
Material : Zinc alloy



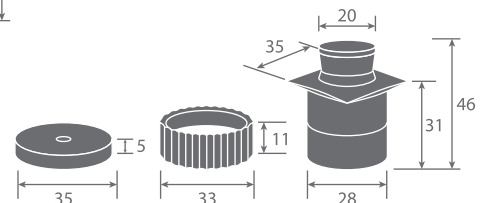
F21

RETRACTABLE PUSH BUTTON KNOB

Dimensions
in millimeters



KP-3001



KP-3002

FLUSH PULLS

Standard Finishes:
F21, F22, F91~F102,
F91T~F108T
PVD (by request)

KP-3008A

Material : Zinc alloy



F21

KP-3008B

Material : Zinc alloy



F101

KP-3008D

Material : Zinc alloy



F21

KP-3006XS

Material : Zinc alloy



F97

KP-3006S

Material : Zinc alloy



F97

KP-3006L

Material : Zinc alloy



F97

KP-3019XS

Material : Zinc alloy



F93

KP-3019S

Material : Zinc alloy



F93

KP-3019L

Material : Zinc alloy



F93

FLUSH PULLS

Standard Finishes:
F21, F22, F91~F102,
F91T~F108T
PVD (by request)

KP-3021XS

Material : Zinc alloy



F94T

KP-3021S

Material : Zinc alloy



F94T

KP-3021L

Material : Zinc alloy



F94T

KP-3022XS

Material : Zinc alloy



F91

KP-3022S

Material : Zinc alloy



F91

KP-3022L

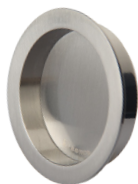
Material : Zinc alloy



F99

KP-3015

Material : Zinc alloy



F22

KP-3018

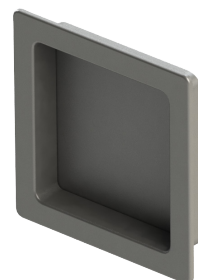
Material : Zinc alloy



F22

KP-3023

Material : Zinc alloy



F100

FLUSH PULLS

Standard Finishes:
F21, F22, F91~F102,
F91T ~F108T
PVD (by request)

KP-3013

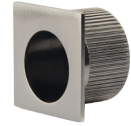
Material : Zinc alloy



F93T

KP-3020

Material : Zinc alloy



F22

KP-3017

Material : Zinc alloy



F21

KP-3024

Material : Zinc alloy



F102

KP-3025 NEW

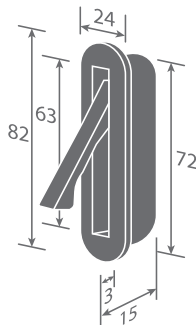
Material : Stainless Steel



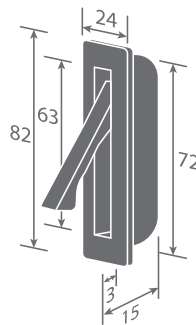
F302

FLUSH PULLS

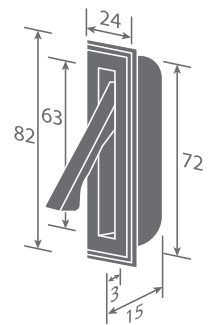
Dimensions
in millimeters



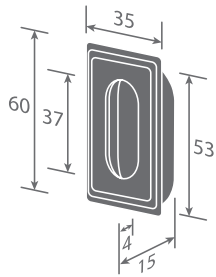
KP-3008A



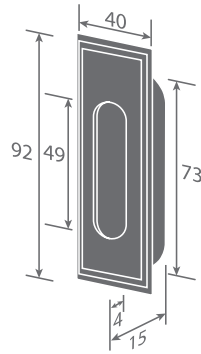
KP-3008B



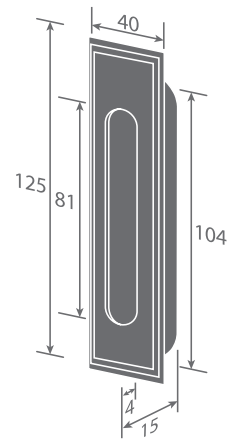
KP-3008D



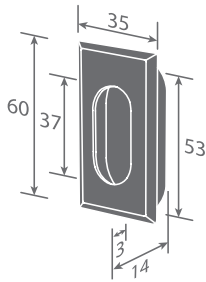
KP-3006XS



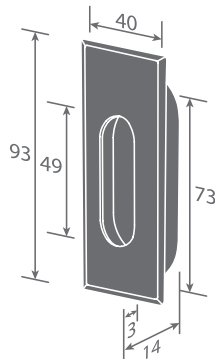
KP-3006S



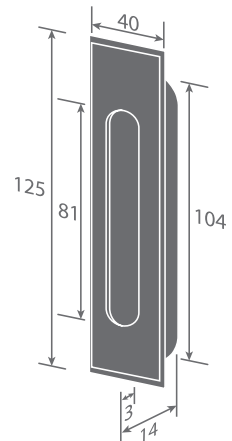
KP-3006L



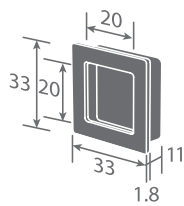
KP-3019XS



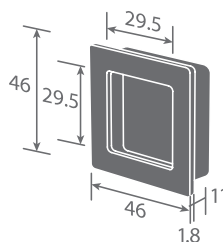
KP-3019S



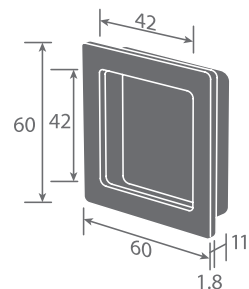
KP-3019L



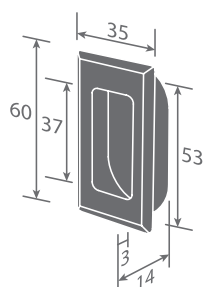
KP-3021XS



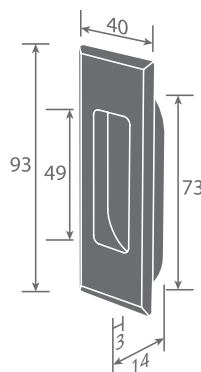
KP-3021S



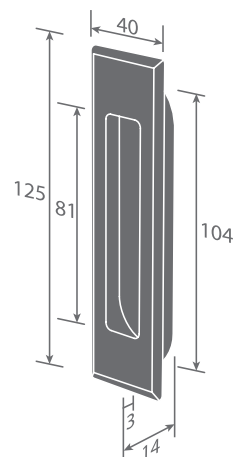
KP-3021L



KP-3022XS



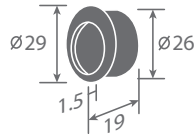
KP-3022S



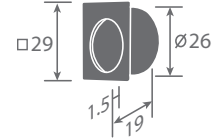
KP-3022L

FLUSH PULLS

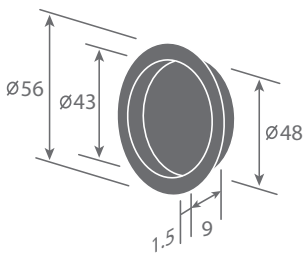
Dimensions
in millimeters



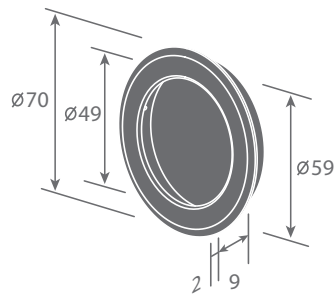
KP-3013



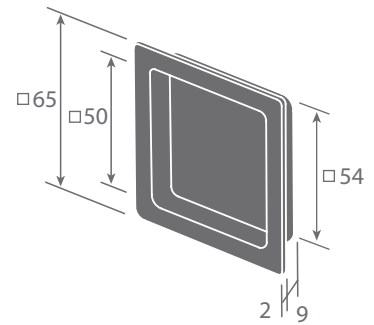
KP-3020



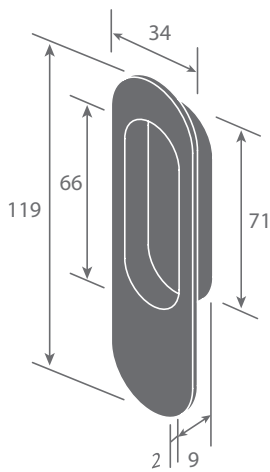
KP-3015



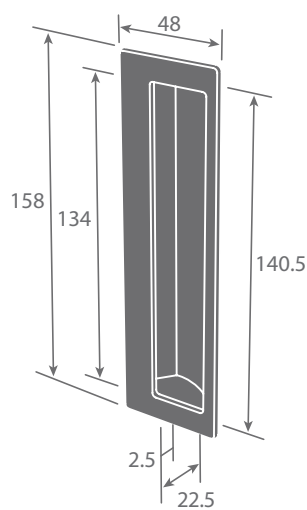
KP-3018



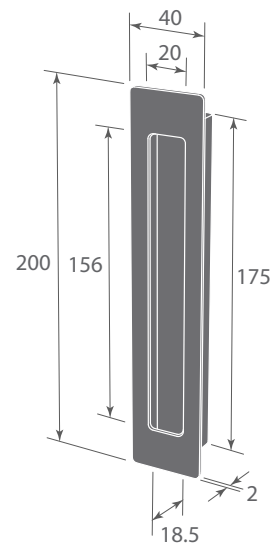
KP-3023



KP-3017



KP-3024



KP-3025 **NEW**

OFFSET PIVOT HINGE

Standard Finishes:
F24, F91~F102,
F91T ~F108T

OH-101/OH-101S

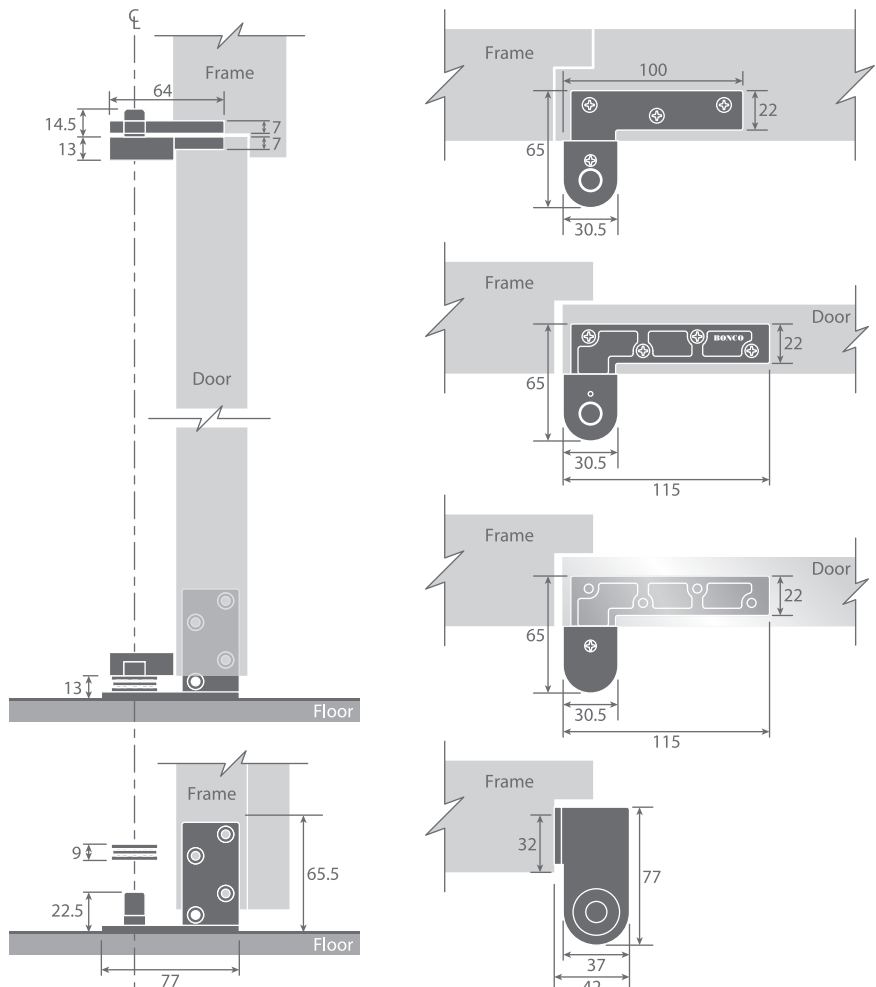
Max Weight: 160kg
Max Door Width: 1200mm
Handed: LH or RH
Door Thickness: 30-55mm (Passed 200,000 Cycle Test)
Material:
OH-101 made of Zinc Alloy;
OH-101S made of Stainless Steel.



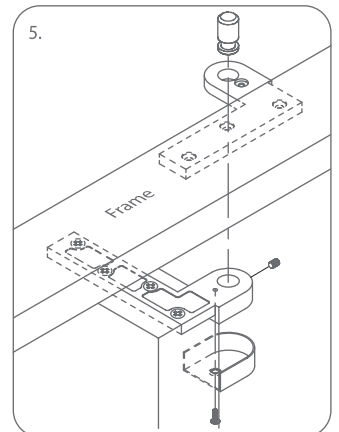
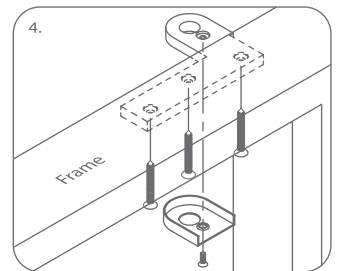
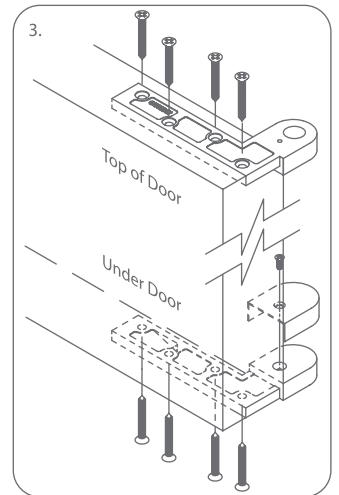
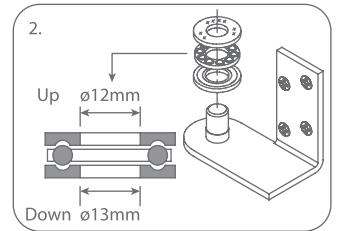
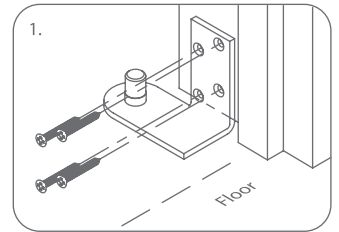
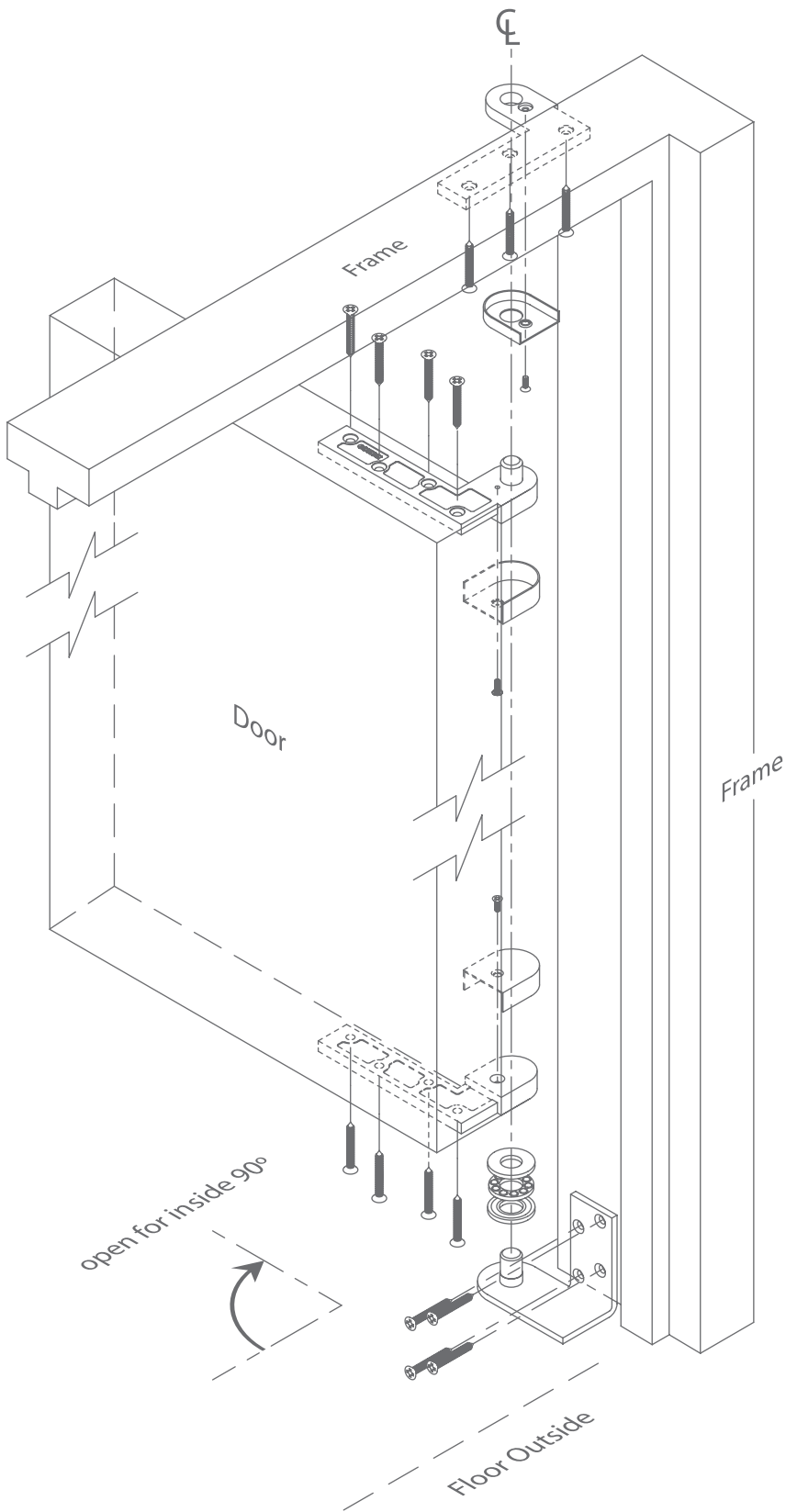
F24

OFFSET PIVOT HINGE

Dimensions
in millimeters



Template for OH-101-RH



MULTI-AXIS CONCEALED HINGES

(Passed 200,000 Cycle Test)

Max. Weight : 60kg (2 hinges used)

Max. Width : 900mm

Door Thickness : 40~50mm

Opening Angle : 0~180°

Vertical adjustment (Up - Down) (± 2 mm)

Horizontal adjustment (Left - Right) (± 2 mm)

Depth adjustment (Front - Back) (± 1 mm)

CH-501D NEW

Finishes :

F91~F102, F91T~F108T

(Powder Coating ONLY)

Material :

Main Body: Zinc Alloy

Cover Plate: Zinc Alloy



F97

CH-501D-S NEW

Finishes :

F17, F302, F307,

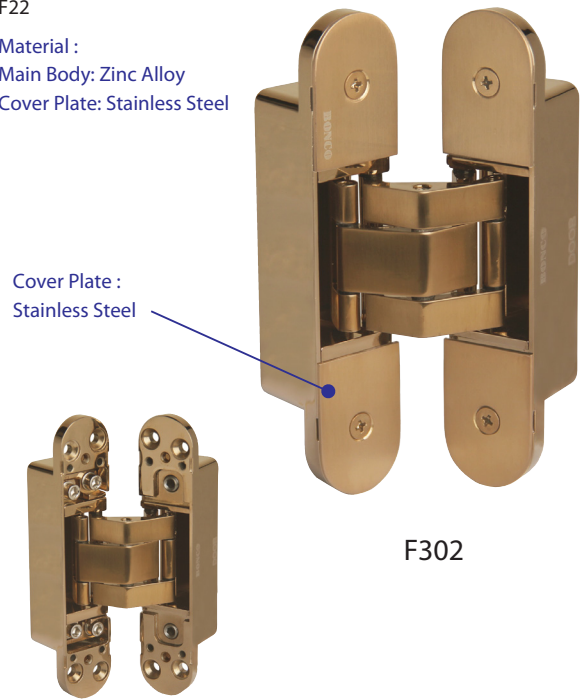
F91~F102, F91T~F108T,

F22

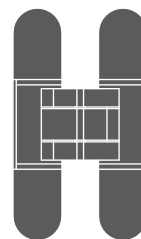
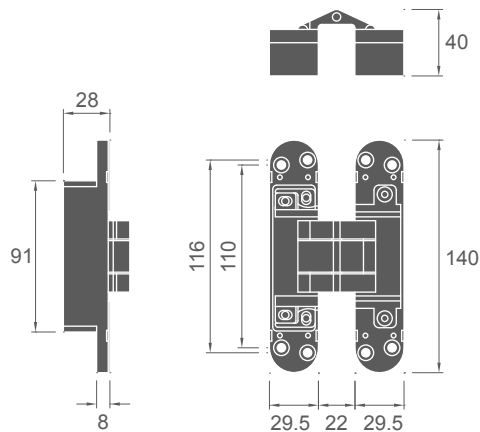
Material :

Main Body: Zinc Alloy

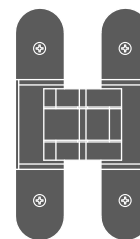
Cover Plate: Stainless Steel



F302



CH-501D



CH-501D-S

MULTI-AXIS CONCEALED HINGES

(Passed 200,000 Cycle Test)

Max. Weight : 100kg (2 hinges used); 120kg (3 hinges used)

Max. Width : 1200mm

Door Thickness : 45~65mm

Opening Angle : 0~180°

Vertical adjustment (Up - Down) (± 2 mm)

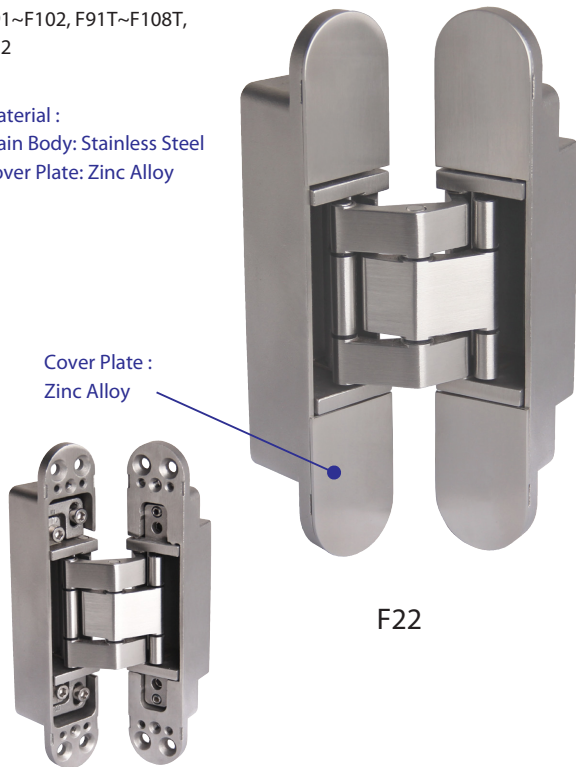
Horizontal adjustment (Left - Right) (± 2 mm)

Depth adjustment (Front - Back) (± 2 mm)

CH-502D NEW

Finishes :
F91~F102, F91T~F108T,
F22

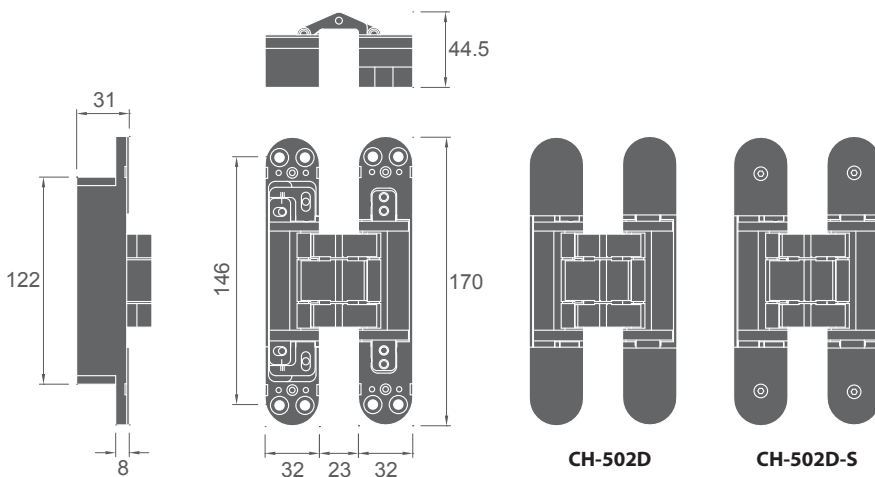
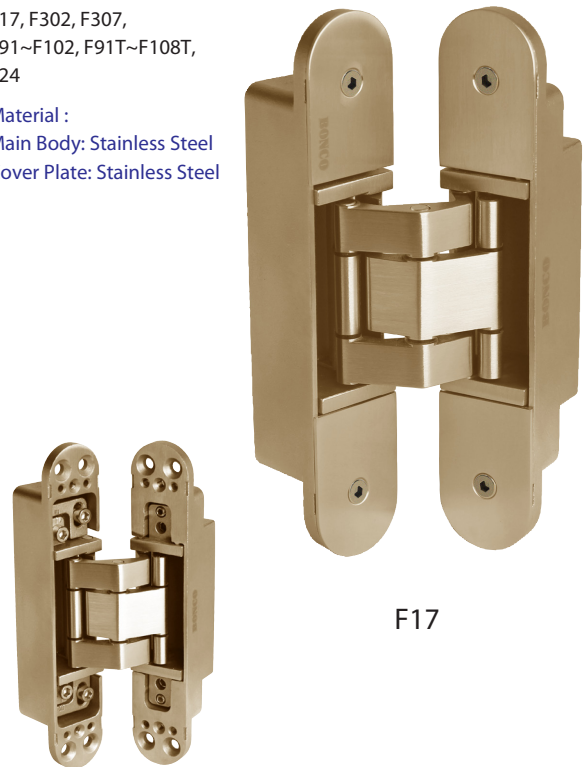
Material :
Main Body: Stainless Steel
Cover Plate: Zinc Alloy



CH-502D-S NEW

Finishes :
F17, F302, F307,
F91~F102, F91T~F108T,
F24

Material :
Main Body: Stainless Steel
Cover Plate: Stainless Steel



* Passed and approved with
EN Testing (EN1935:2002/AC:2003)
under classification 476014013

* Passed and approved with
EAD Testing (EAD 020001-01-0405:2017)
under classification 476014013

* Passed 2hrs fire test (BS EN 1634-1:2014)

CONCEALED HINGES

Standard Finishes:
F17, F302, F307,
F24, F54

(Passed 200,000 Cycle Test)

Finishes



F17



F302



F307



F54

CH-205SS **NEW**

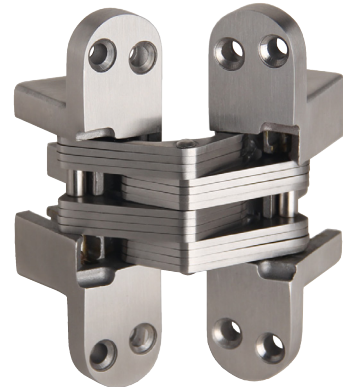
Material : Stainless steel
100kgs : 2 hinges used
120kgs : 3 hinges used
Door Thickness : 40~60mm



F24

CH-206SS **NEW**

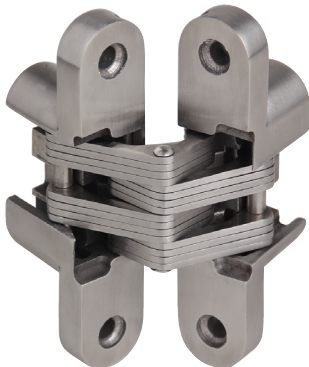
Material : Stainless steel
80kgs : 2 hinges used
100kgs : 3 hinges used
Door Thickness : 35~50mm



F24

CH-207SS **NEW**

Material : Stainless steel
60kgs : 2 hinges used
70kgs : 3 hinges used
Door Thickness : 32~45mm



F24

CH-208SS **NEW**

Material : Stainless steel
50kgs : 2 hinges used
60kgs : 3 hinges used
Door Thickness : 26~40mm



F24

CH-202

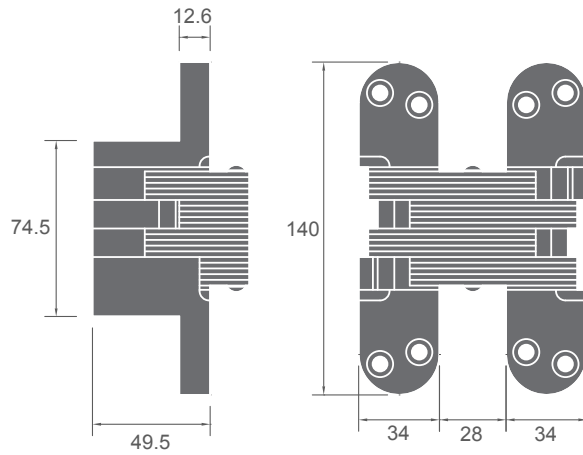
Material : Zinc alloy and Hyden steel
40kgs : 2 hinges used
50kgs : 3 hinges used
Door Thickness : 28~40mm



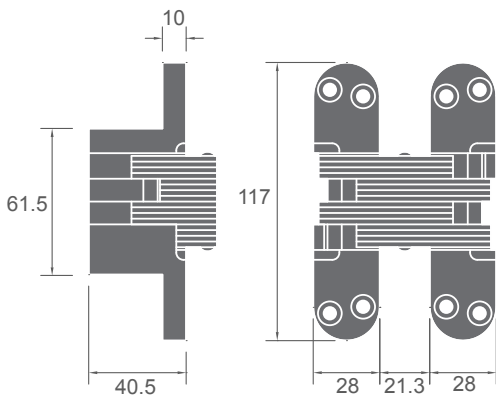
F22 ONLY

CONCEALED HINGES

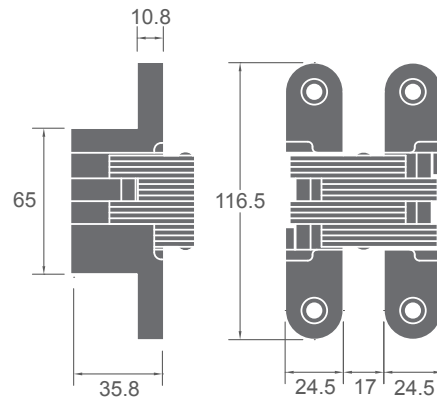
Dimensions
in millimeters



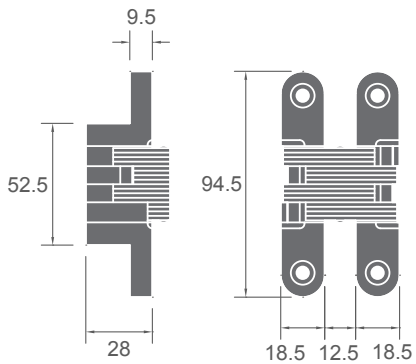
CH-205SS **NEW**



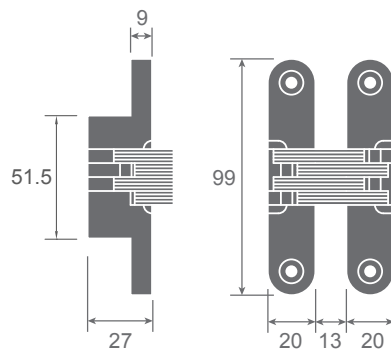
CH-206SS **NEW**



CH-207SS **NEW**



CH-208SS **NEW**



CH-202

HINGES

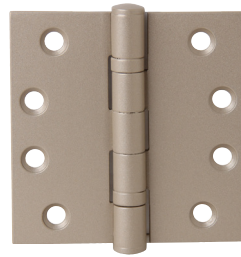
Standard Finishes:
 F24, F25, F91~ F102,
 F91T~ F108T,
 PVD (by request)

4430BB

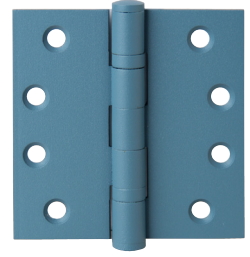
Butt hinges with ball bearing
 Material : Stainless steel



F91



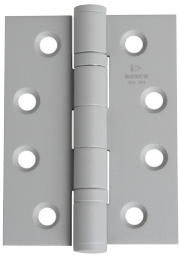
F101



F106T

4330BB

Butt hinges with ball bearing
 Material : Stainless steel



F94T



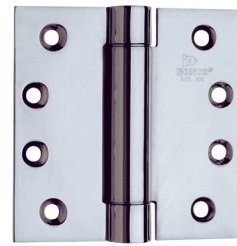
F102T



F104T

SS-8114

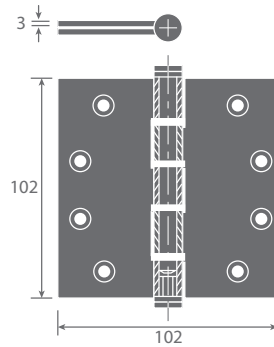
Single action spring hinges
 Material : Stainless steel



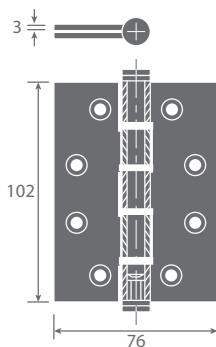
F25

HINGES

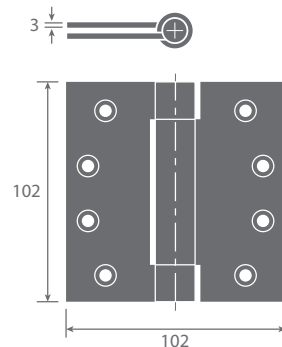
Dimensions
 in millimeters



4430BB



4330BB



SS-8114

DOOR CHAIN / DOOR GUARD HOOKS

Standard Finishes:
F21, F22, F91~F102,
F91T ~F108T

DC-018

Door chain

Material : Stainless steel
F24, F25 only for this model



F25

DG-106N

Door guard

Material : Zinc alloy



F91

DG-109

Door guard

Material : Zinc alloy



F21

DG-110

Door guard

Material : Zinc alloy



F93

DG-111

Door guard

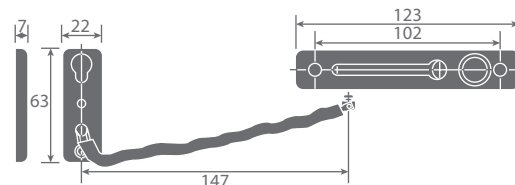
Material : Zinc alloy



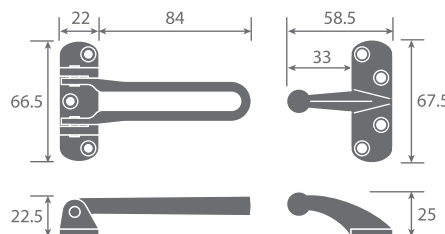
F22

DOOR CHAIN / DOOR GUARD HOOKS

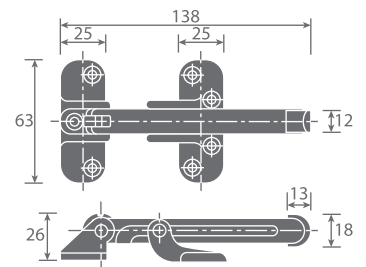
Dimensions
in millimeters



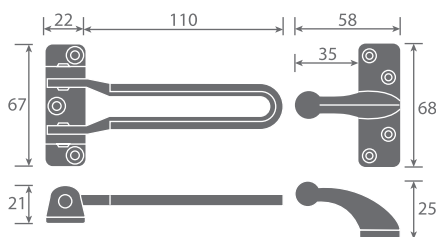
DC-018



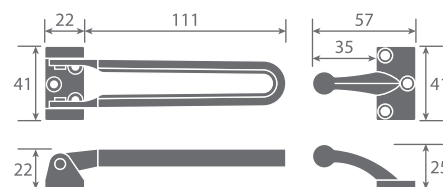
DG-106N



DG-109



DG-110



DG-111

BRASS DOOR VIEWERS

Standard Finishes:
 F21, F22,
 F47 (Satin Bronze)
 F48 (Matt Black)

100% Glass Lenses

- All models with highly polished precision optical glass lenses.
- By extending male screw, female screw, or both (or by shortening), the door viewer can easily be adjusted for any door thickness. Please indicate the sizes required if our standard sizes do not fit your doors. We will make adjustments to meet your requirements.
- Door Thickness : 35 ~ 60mm (1-3/8" ~ 2-3/8"), 45 ~ 75mm (1-3/4" ~ 3")
- Adjustable for door thickness from 35mm to 60mm or 45mm to 75mm.
- Extension link can be added for door thickness over 60mm or 75mm.

How to install

Drill 14mm or 16mm hole in door (depends on model) at desired height. Insert lens part from outside and female screw from inside. Screw together. Use coin in slot to tighten.

DV-014C (200°)

(with shutter)
 Material: Brass



F48

DV-015 (200°)

Material: Brass



F21

DV-015C (200°)

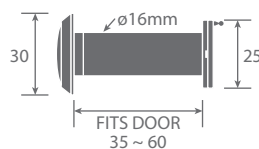
(with shutter)
 Material: Brass



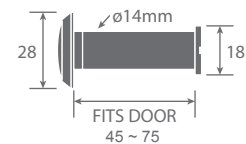
F22

BRASS DOOR VIEWERS

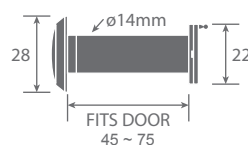
Dimensions
 in millimeters



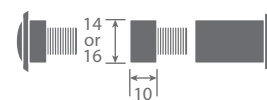
DV-014C



DV-015



DV-015C



Extension Link

DOOR CATCHES

DC-011

Adjustable door catch
Material : Stainless steel
Finishes : F24, F25



F24

DC-063

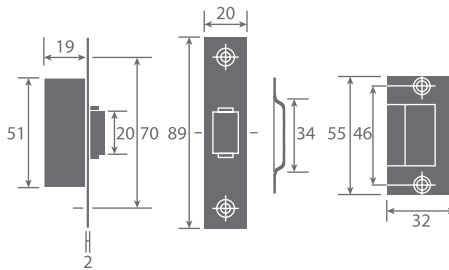
Adjustable door catch
Material : Zinc alloy
Finishes : F21, F22, F91~F102, F91T~F108T



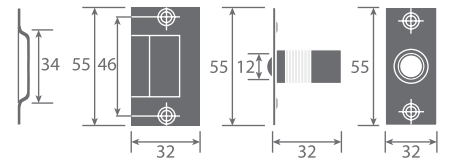
F91

DOOR CATCHES

Dimensions
in millimeters



DC-011



DC-063

DUSTPROOF SOCKETS

Standard Finishes:
F21, F22

DP-042

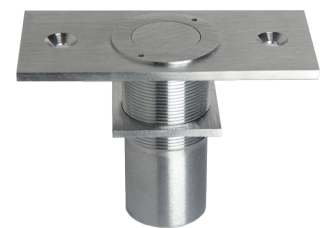
Material : Brass



F21

DP-042XL

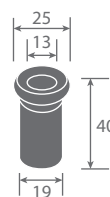
Material : Brass



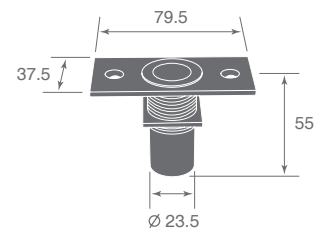
F22

DUSTPROOF SOCKETS

Dimensions
in millimeters



DP-042

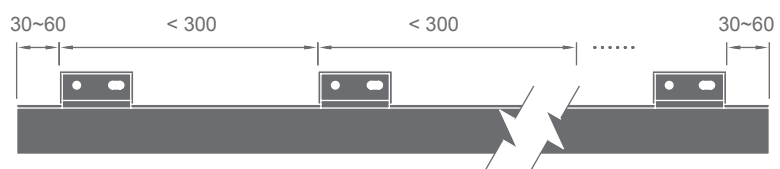
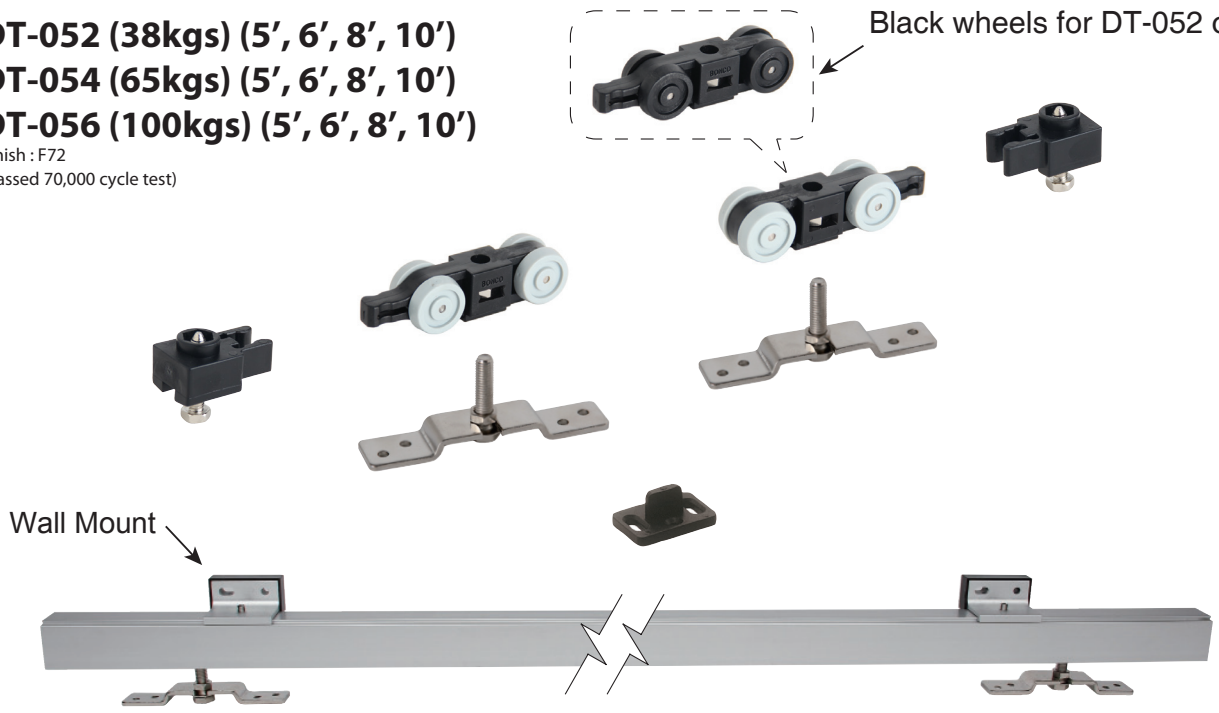


DP-042XL

SLIDING DOOR TRACK SETS

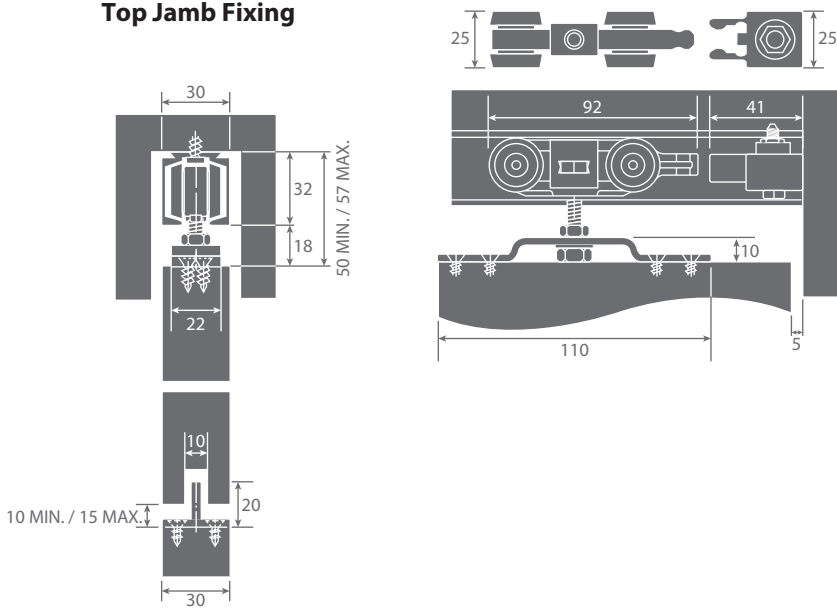
DT-052 (38kgs) (5', 6', 8', 10')
DT-054 (65kgs) (5', 6', 8', 10')
DT-056 (100kgs) (5', 6', 8', 10')
 Finish : F72
 (passed 70,000 cycle test)

Black wheels for DT-052 only.



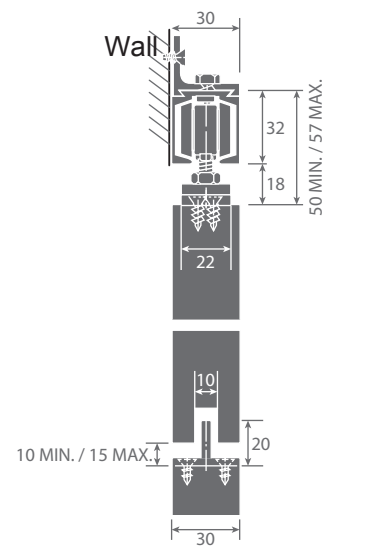
Use at least 3 wall mounts. Distance between wall mounts should be less than 300mm.

Top Jamb Fixing

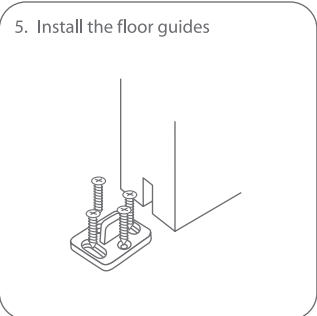
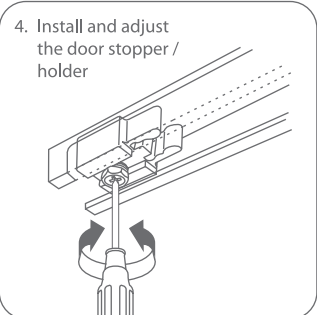
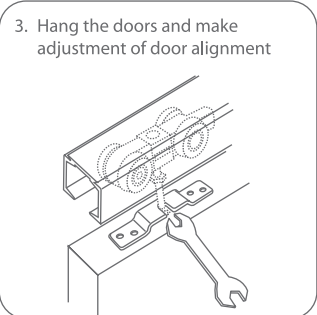
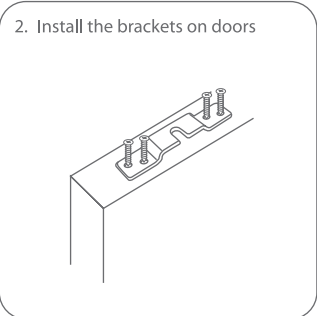
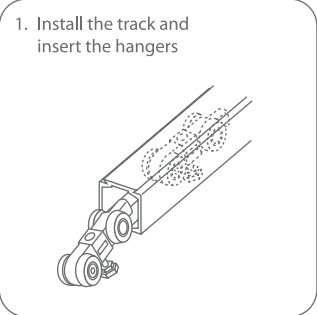
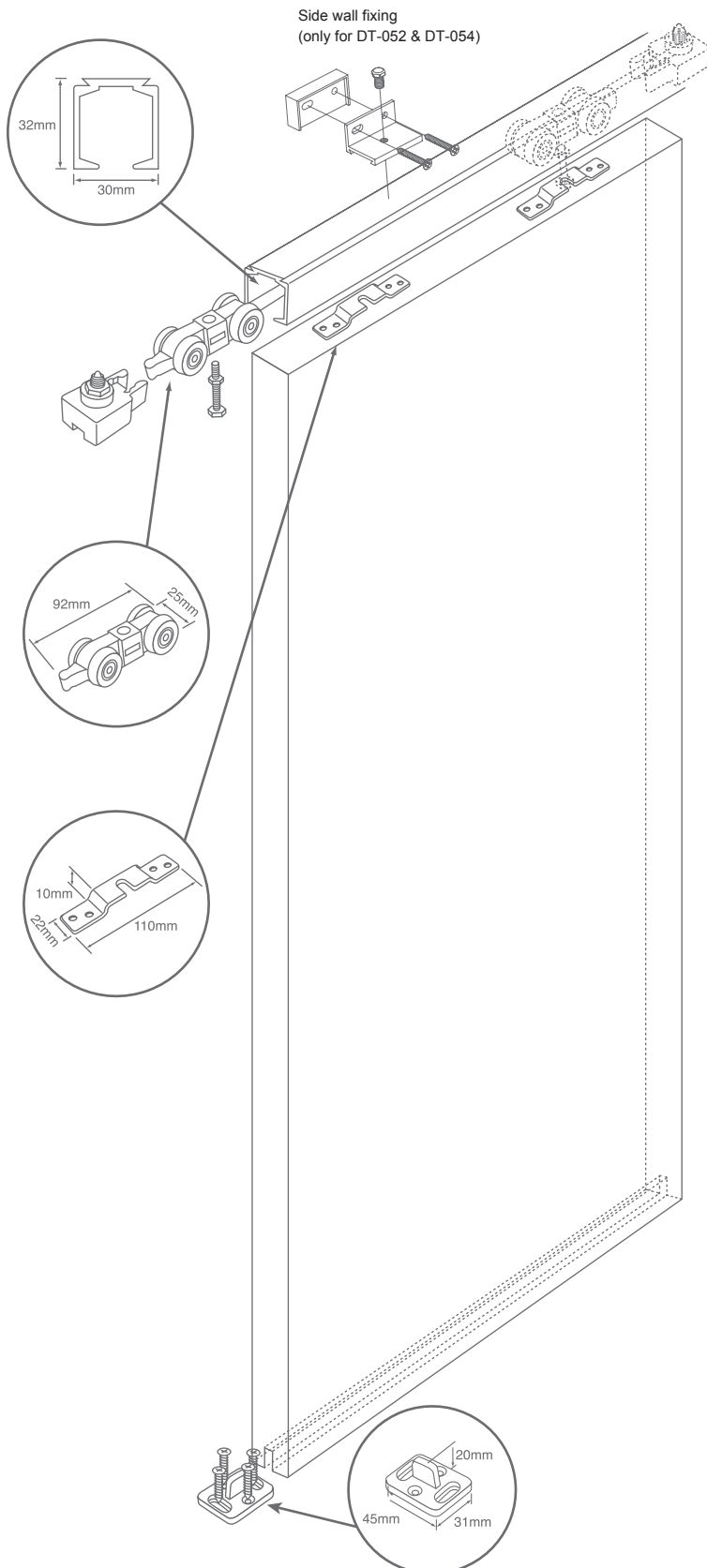


Side Wall Fixing

Only For DT-052 & DT-054



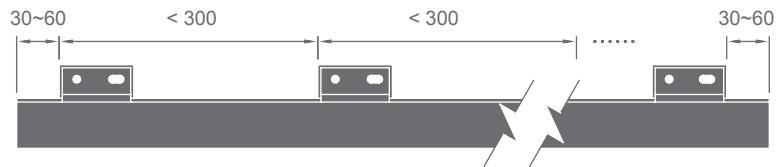
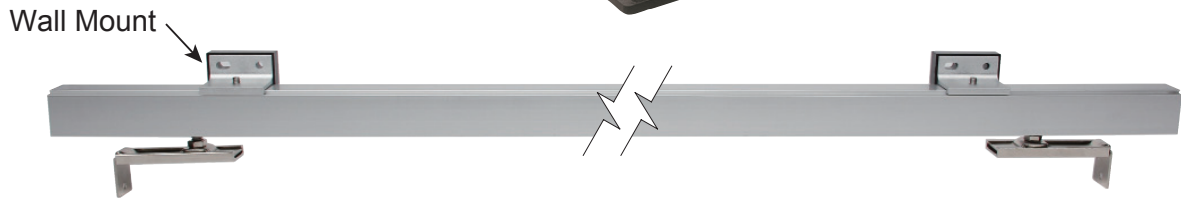
Sliding Door Track Sets Installation



SLIDING DOOR TRACK SETS

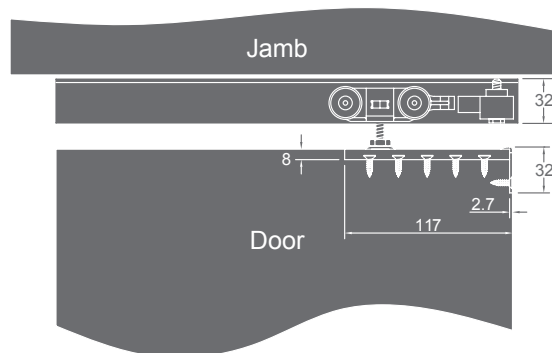
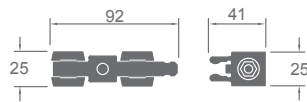
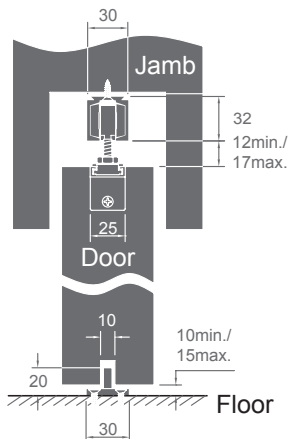
DT-052T (38kgs) (5', 6', 8', 10')
DT-054T (65kgs) (5', 6', 8', 10')
DT-056T (90kgs) (5', 6', 8', 10')

Finish : F72
 (passed 70,000 cycle test)

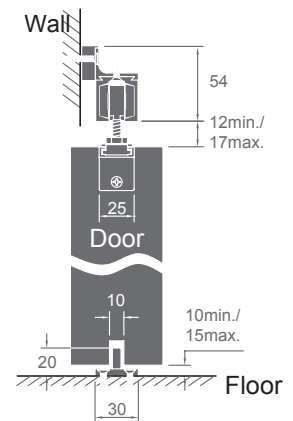


Use at least 3 wall mounts. Distance between wall mounts should be less than 300mm.

Top Jamb Fixing

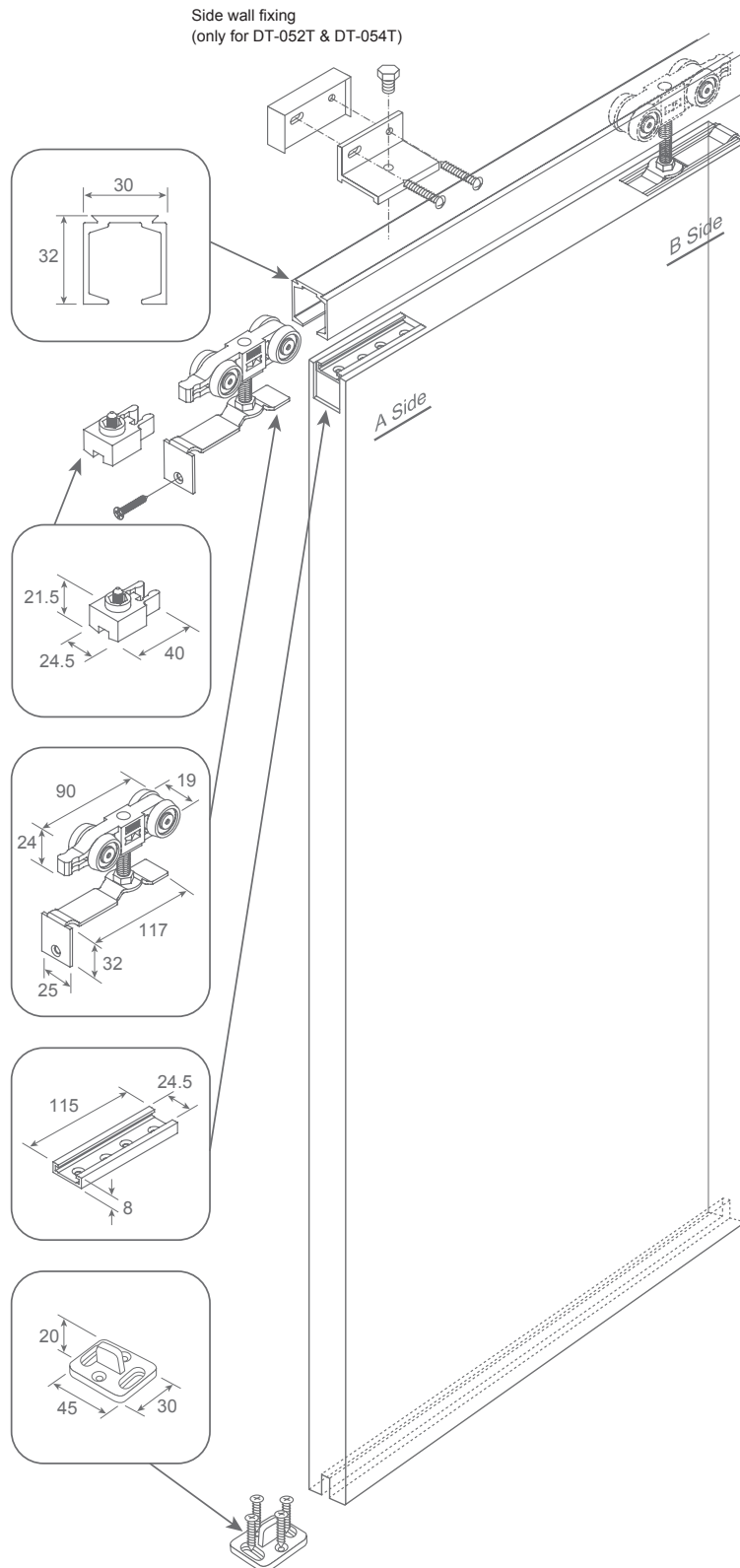


Side Wall Fixing (Only for DT-052T)



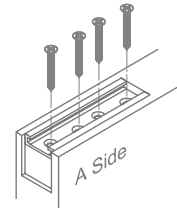
Dimensions in mm

Sliding Door Track Sets Installation

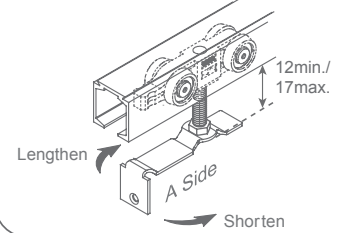


For each step, repeat instructions on 'A side' for 'B side'

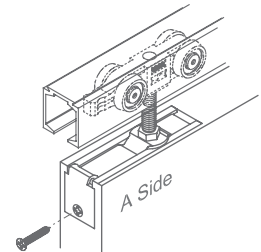
1. Fix door bracket to the door with screws.



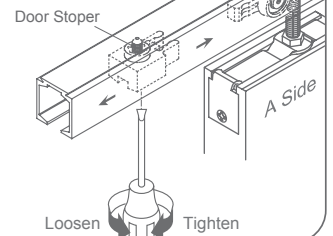
2. Insert hanger rollers into the track. Rotate to adjust height as needed.



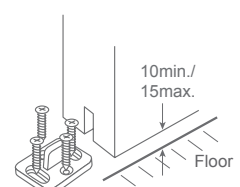
3. Slide hanger plates into door bracket and fix with screw.



4. Insert door stopper / holder into the track and secure in place with wrench. Adjust tightness of hold as needed with screwdriver.



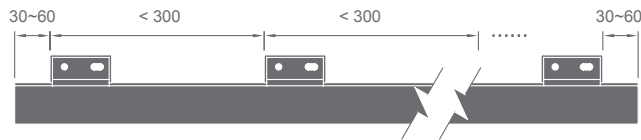
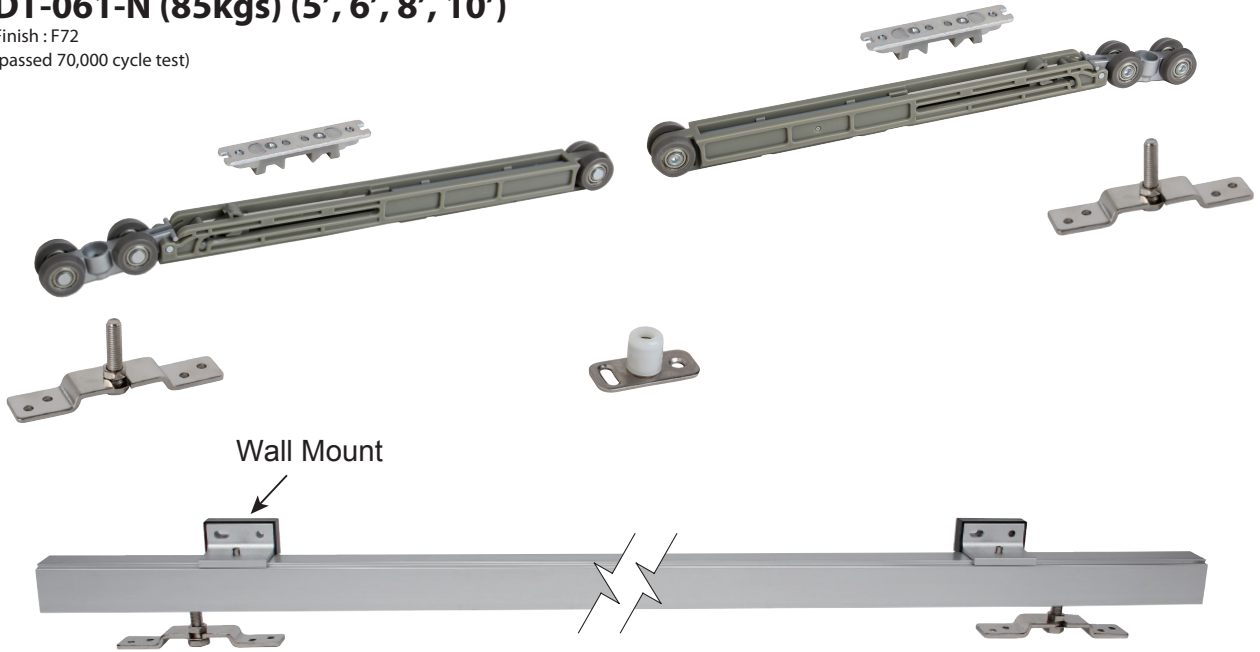
5. Fix door guide to the floor with screws



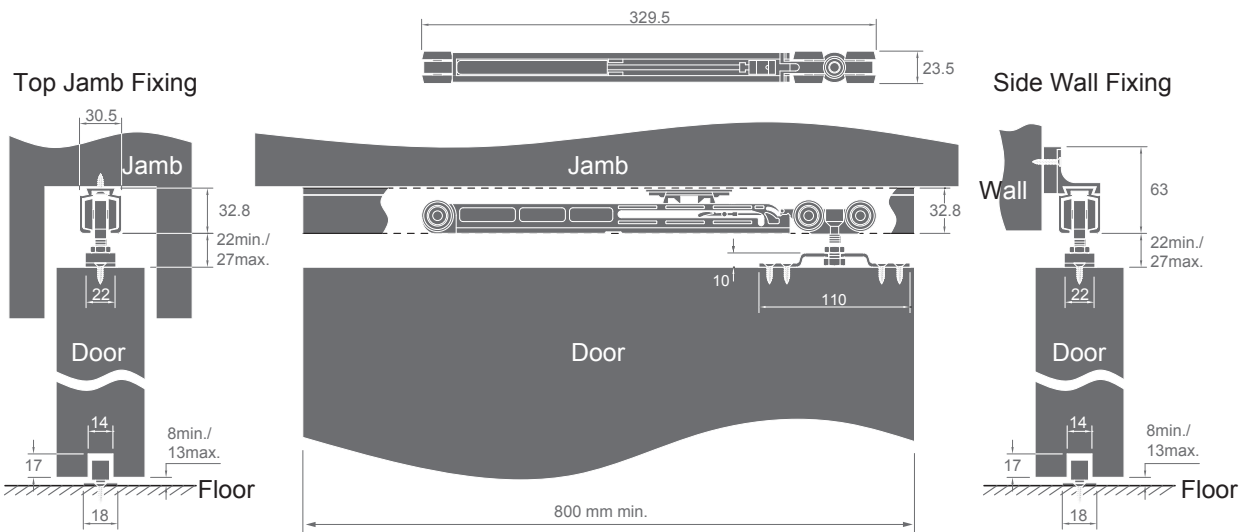
SLIDING DOOR TRACK SETS

DT-061-N (85kgs) (5', 6', 8', 10')

Finish : F72
(passed 70,000 cycle test)

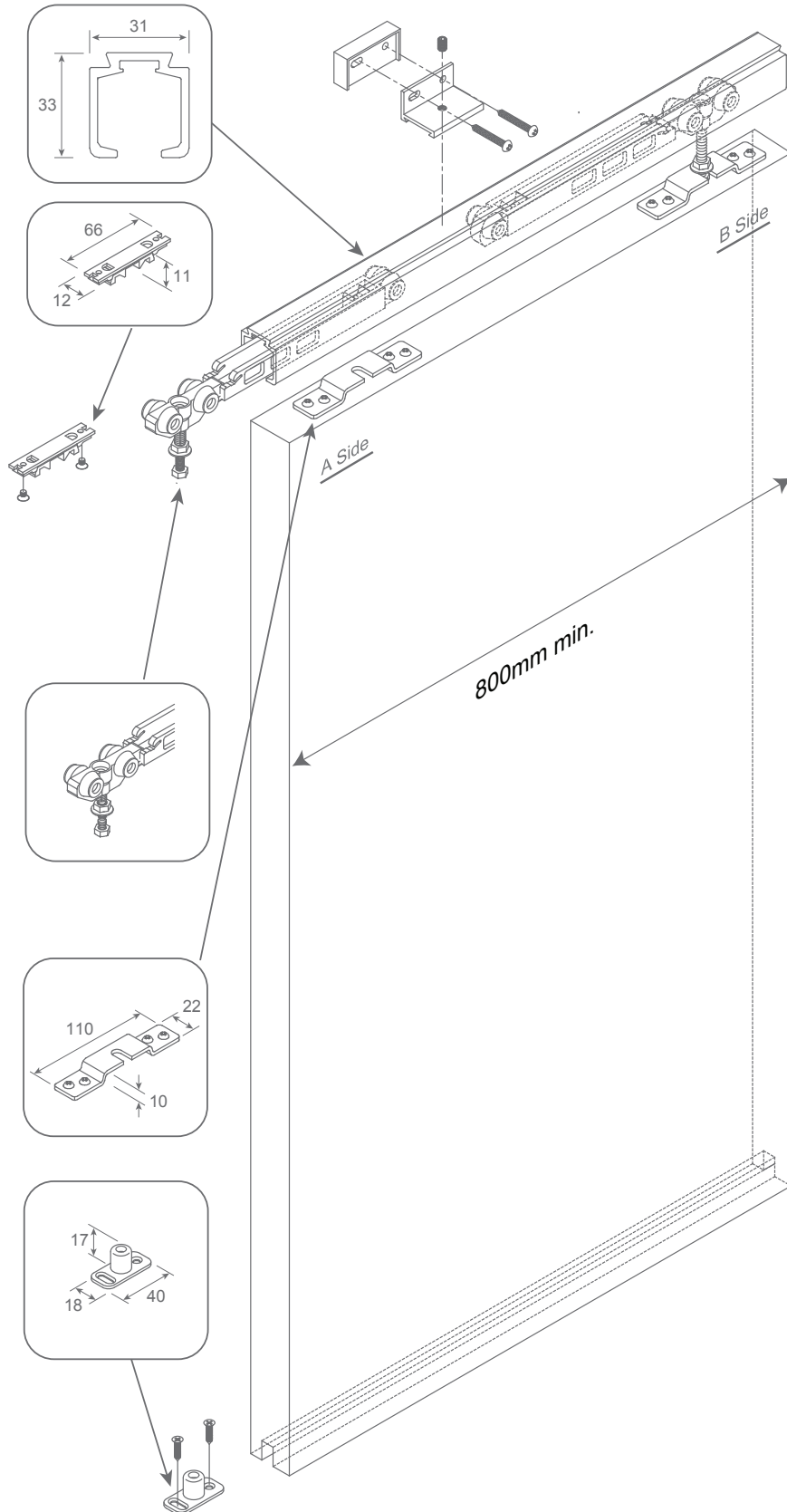


Use at least 3 wall mounts. Distance between wall mounts should be less than 300mm.



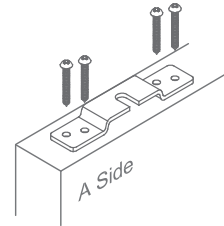
Dimensions in mm

Sliding Door Track Sets Installation

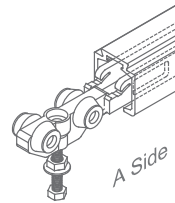


For each step, repeat instructions on 'A side' for 'B side'.

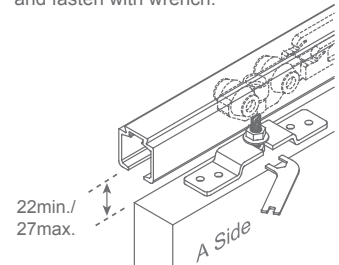
1. Fix door bracket to the door with screws.



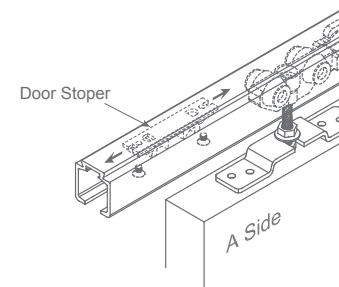
2. Insert hanger rollers into the track.



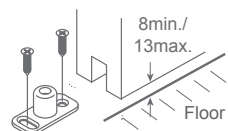
3. Slide hanger plates into door bracket and fasten with wrench.



4. Insert door stopper / holder into the track and secure in place with screws.



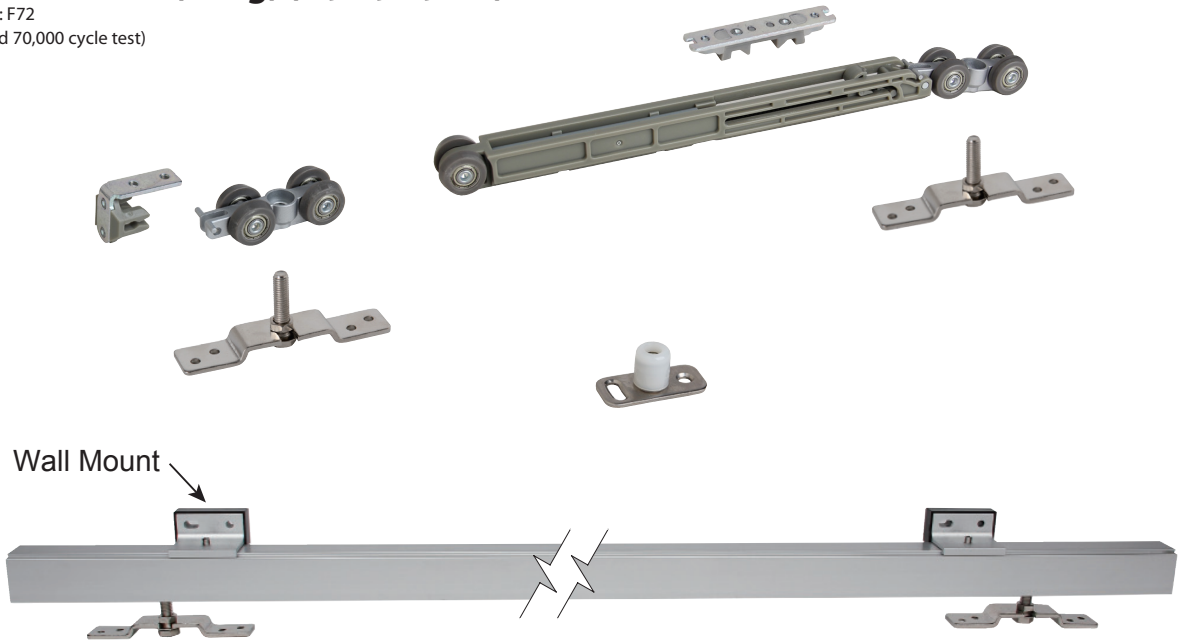
5. Fix door guide to the floor with screws



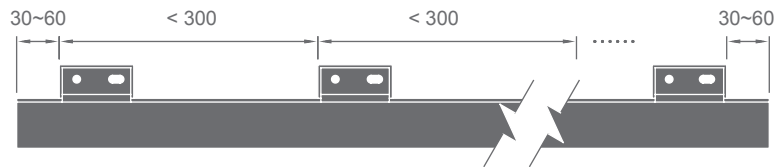
SLIDING DOOR TRACK SETS

DT-061-SH-N (85kg) (5', 6', 8', 10')

Finish : F72
(passed 70,000 cycle test)

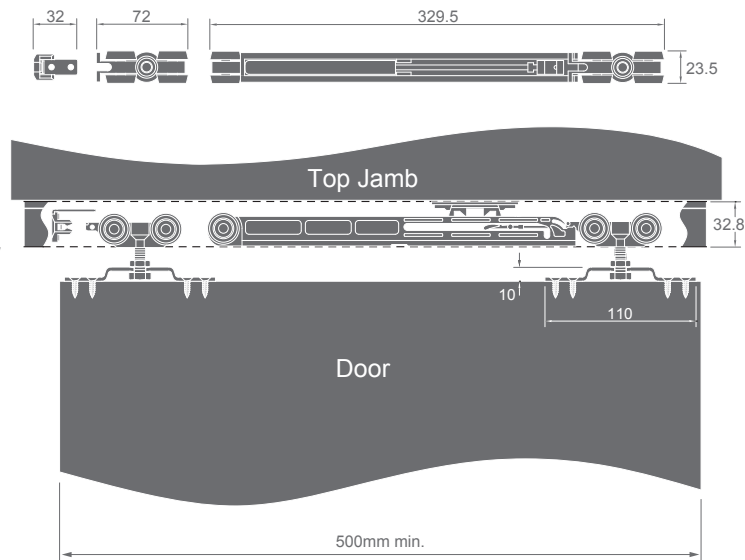
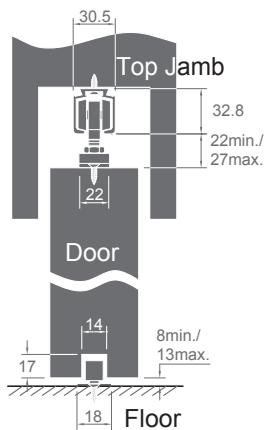


Wall Mount

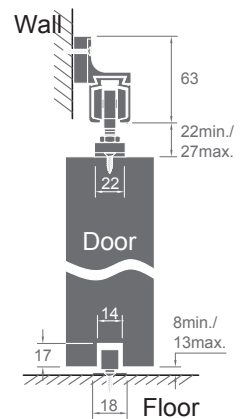


Use at least 3 wall mounts. Distance between wall mounts should be less than 300mm.

Top Jamb Fixing



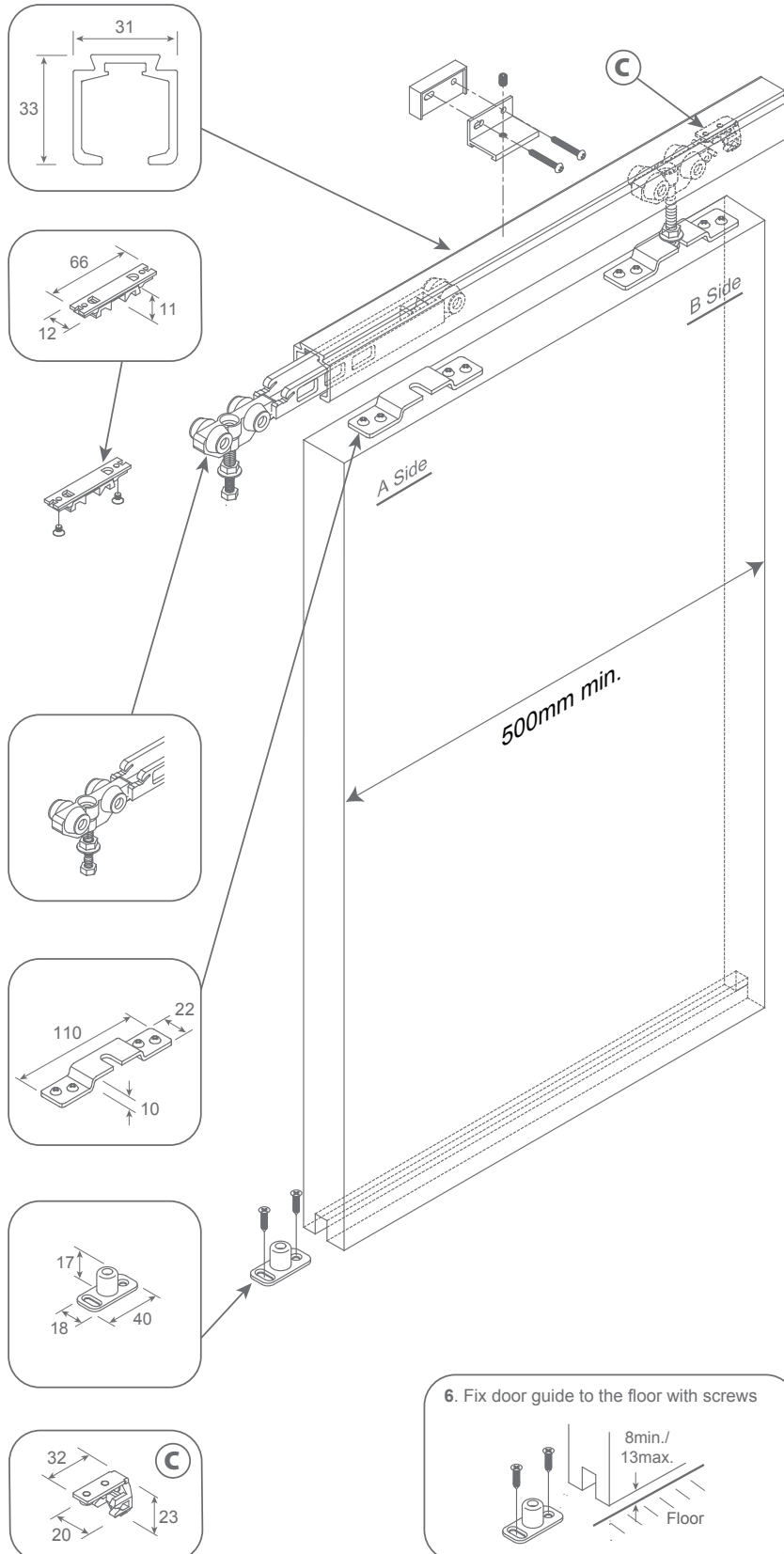
Side Wall Fixing



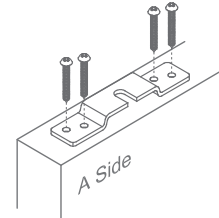
Dimensions in mm

Sliding Door Track Sets Installation

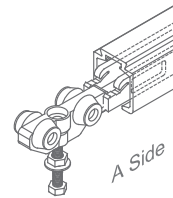
For steps 1 to 3, repeat instructions on 'A side' for 'B side'.



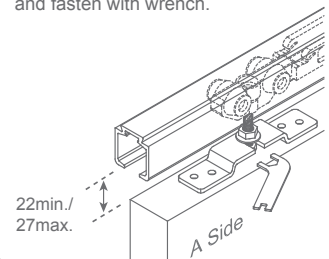
1. Fix door bracket to the door with screws.



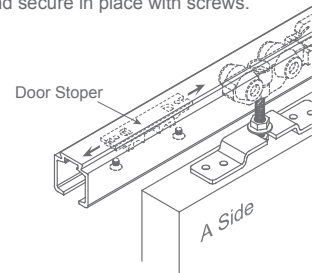
2. Insert hanger rollers into the track.



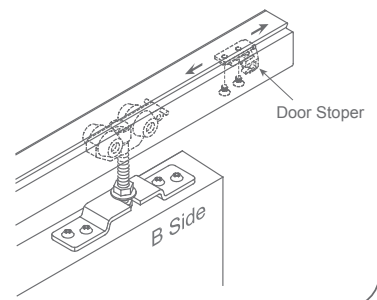
3. Slide hanger plates into door bracket and fasten with wrench.



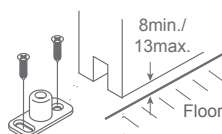
4. Insert door stopper / holder into the track and secure in place with screws.



5. Insert door stopper / holder into the track and secure in place with screws.



6. Fix door guide to the floor with screws

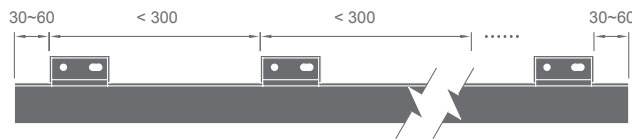
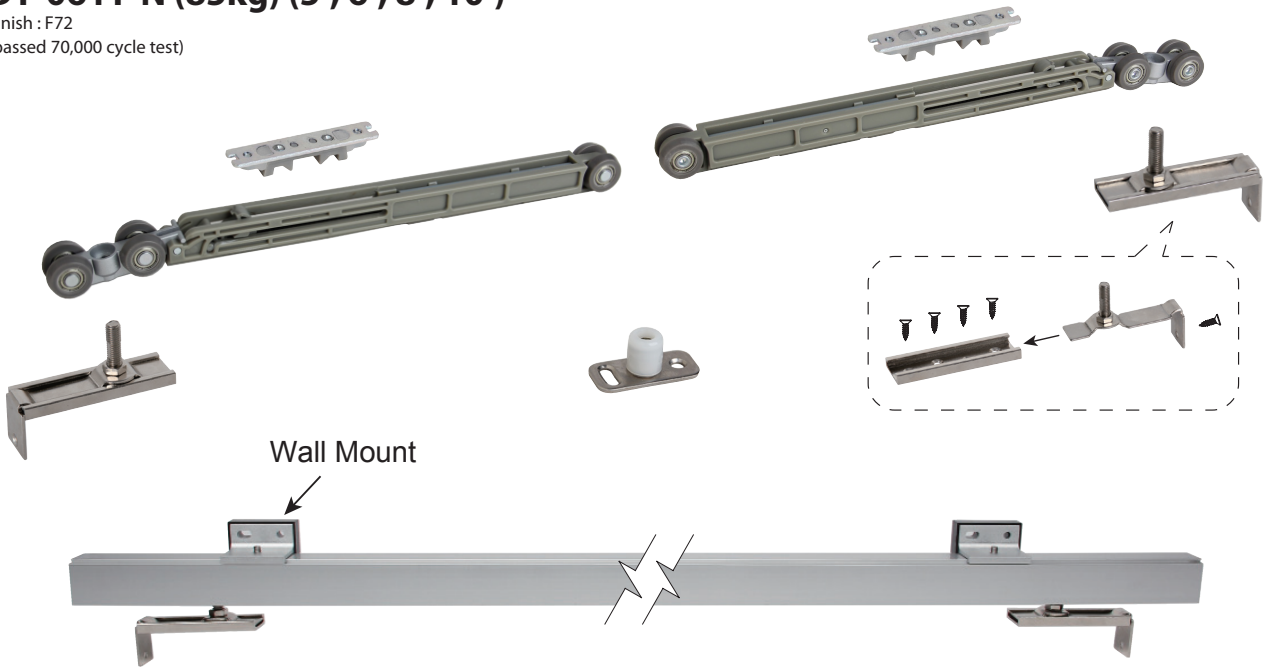


Dimensions in mm

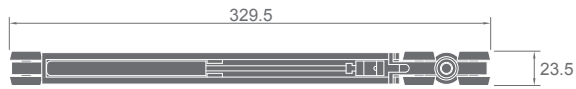
SLIDING DOOR TRACK SETS

DT-061T-N (85kg) (5', 6', 8', 10')

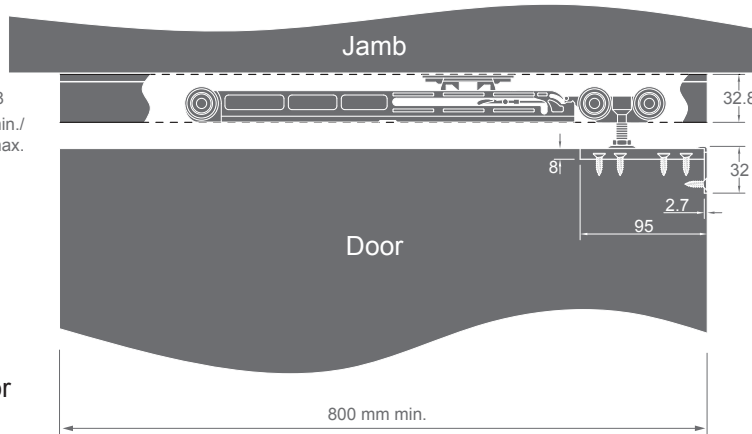
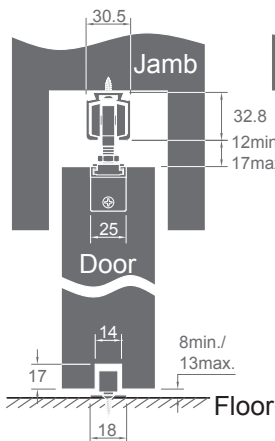
Finish : F72
(passed 70,000 cycle test)



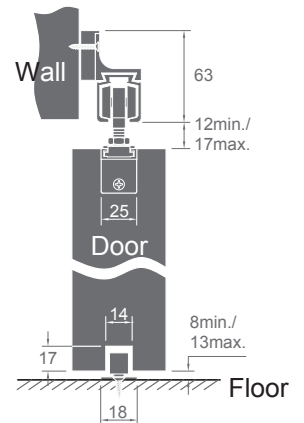
Use at least 3 wall mounts. Distance between wall mounts should be less than 300mm.



Top Jamb Fixing

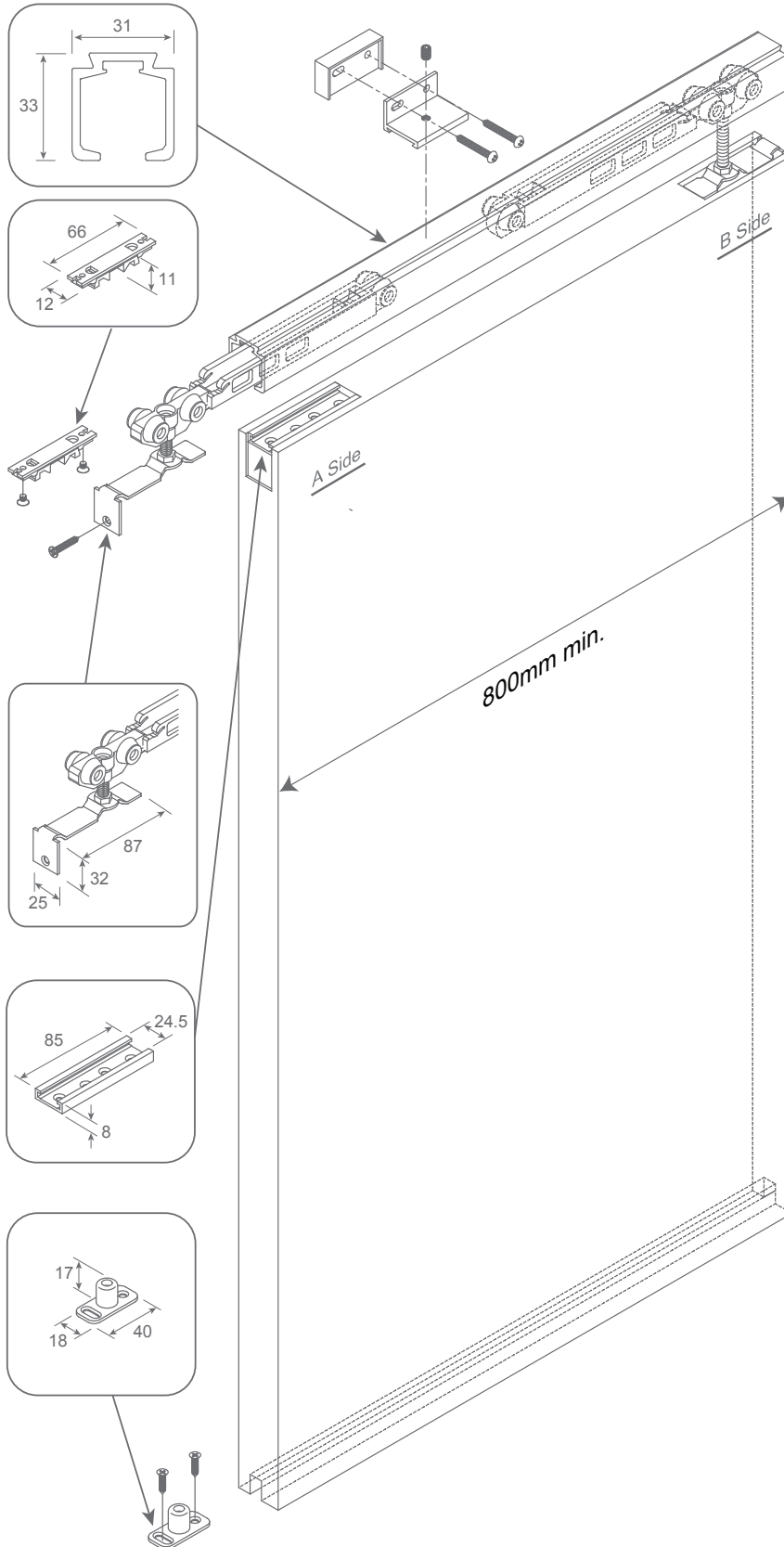


Side Wall Fixing



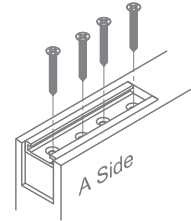
Dimensions in mm

Sliding Door Track Sets Installation

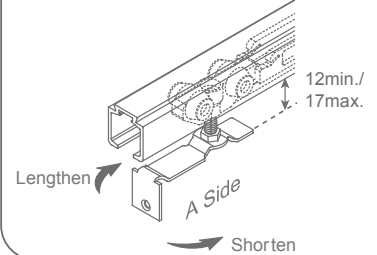


For each step, repeat instructions on 'A side' for 'B side'.

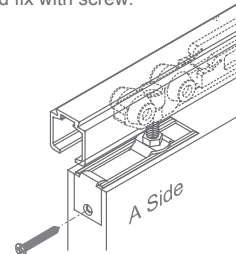
1. Fix door bracket to the door with screws.



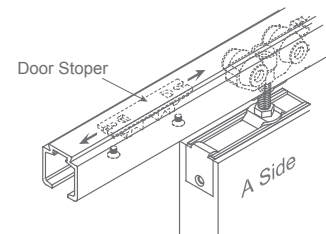
2. Insert hanger rollers into the track. Rotate to adjust height as needed.



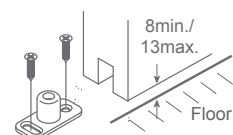
3. Slide hanger plates into door bracket and fix with screw.



4. Insert door stopper / holder into the track and secure in place with screws.



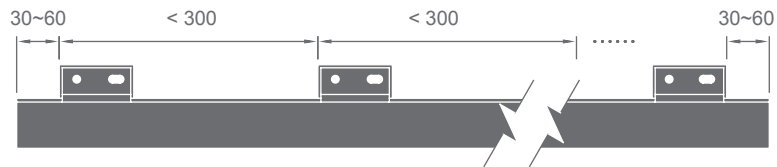
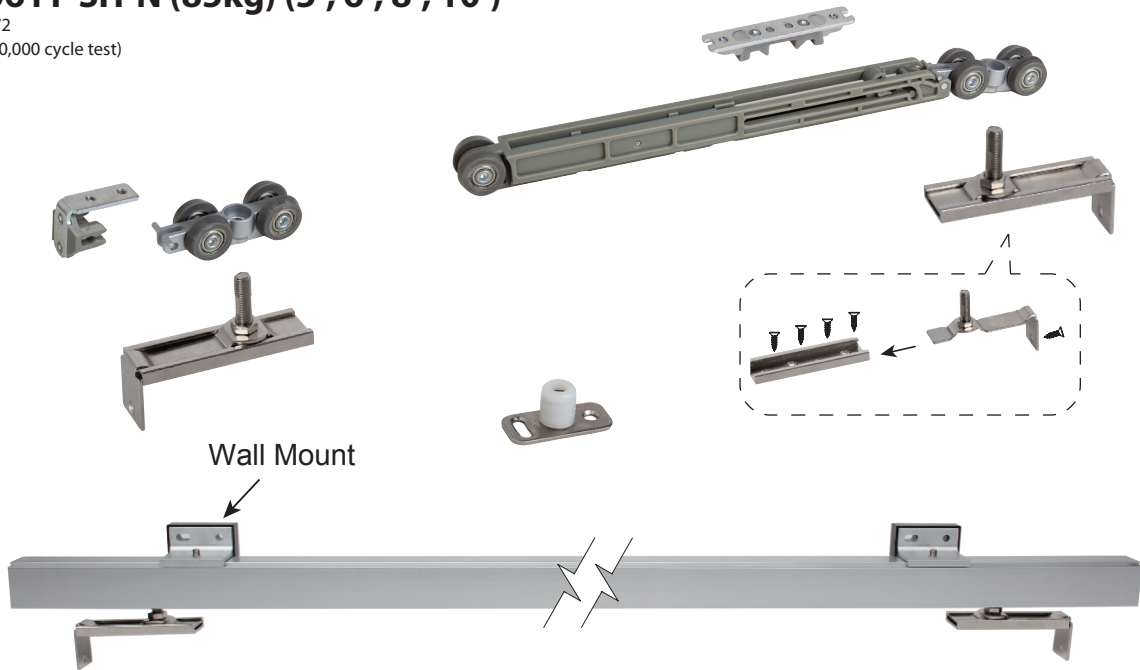
5. Fix door guide to the floor with screws



SLIDING DOOR TRACK SETS

DT-061T-SH-N (85kg) (5', 6', 8', 10')

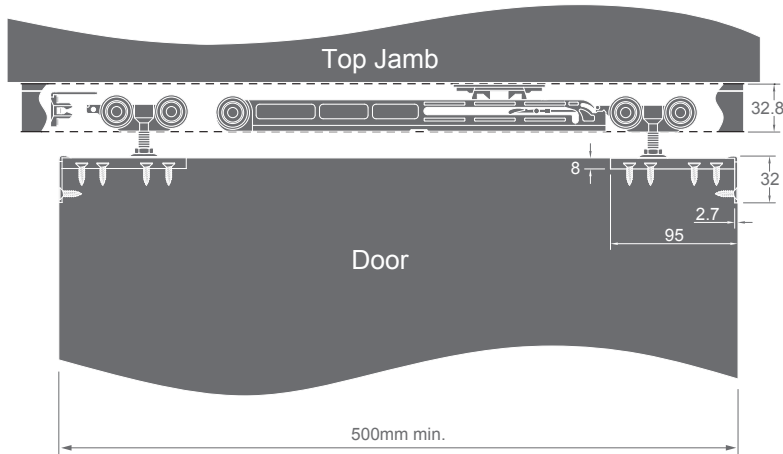
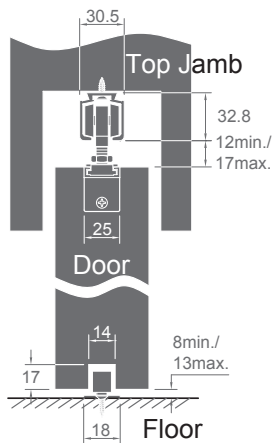
Finish : F72
(passed 70,000 cycle test)



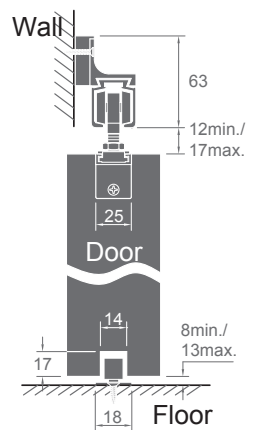
Use at least 3 wall mounts. Distance between wall mounts should be less than 300mm.



Top Jamb Fixing

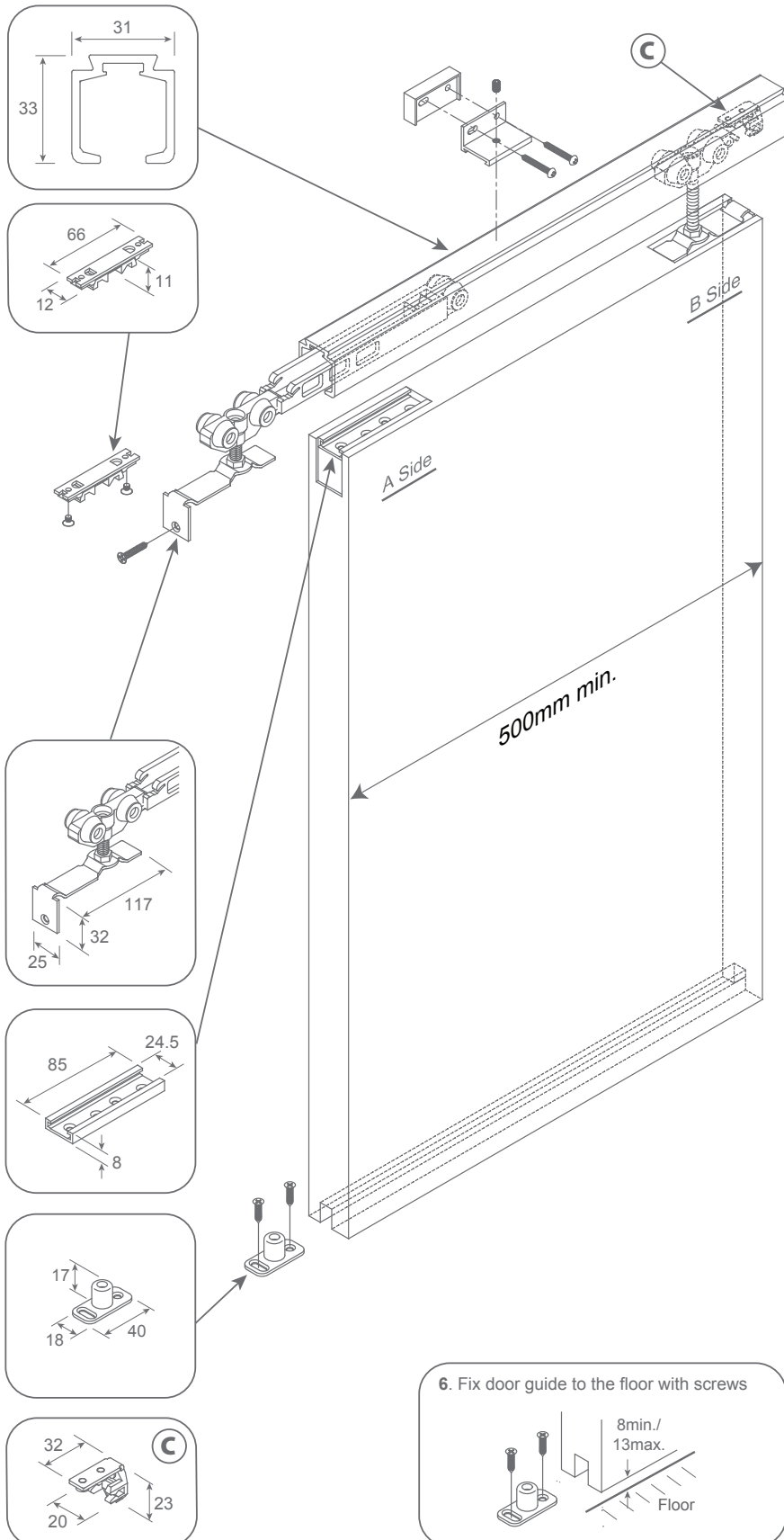


Side Wall Fixing



Dimensions in mm

Sliding Door Track Sets Installation



For steps 1 to 3, repeat instructions on 'A side' for 'B side'.

1. Fix door bracket to the door with screws.

2. Insert hanger rollers into the track. Rotate to adjust height as needed.

3. Slide hanger plates into door bracket and fix with screw.

4. Insert door stopper / holder into the track and secure in place with screws.

5. Insert door stopper / holder into the track and secure in place with screws.

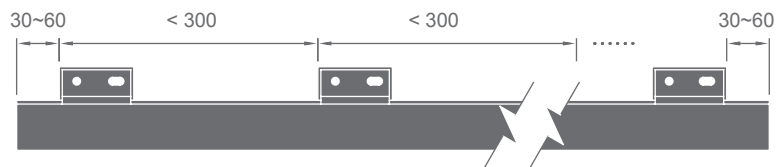
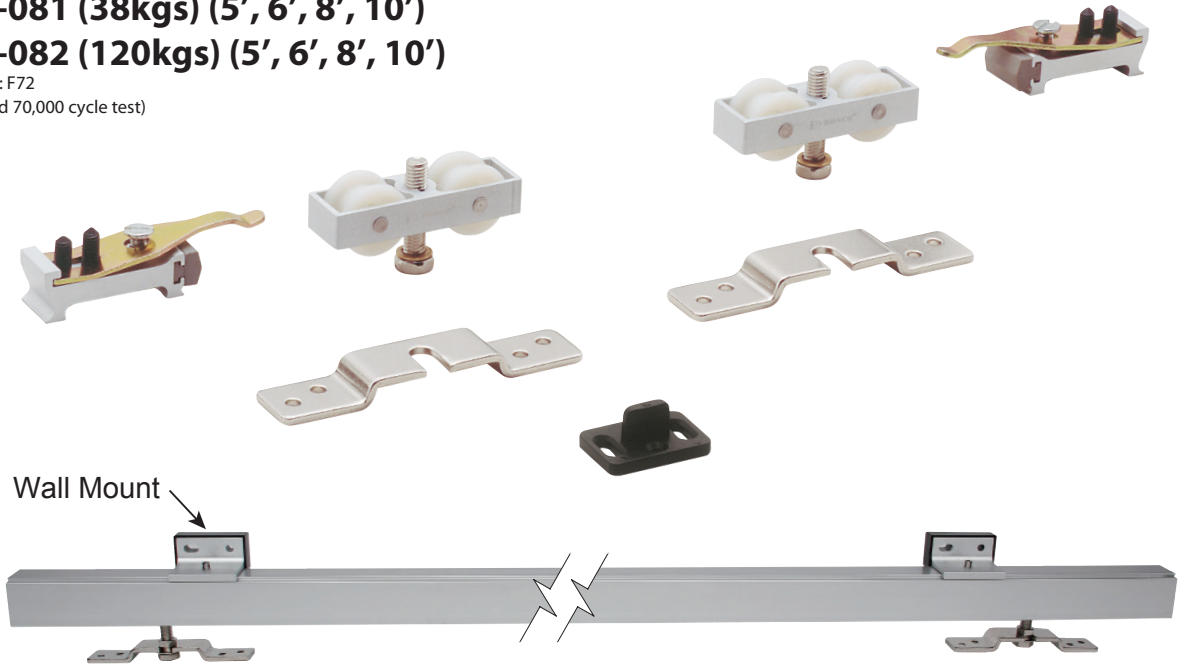
6. Fix door guide to the floor with screws

Dimensions in mm

SLIDING DOOR TRACK SETS

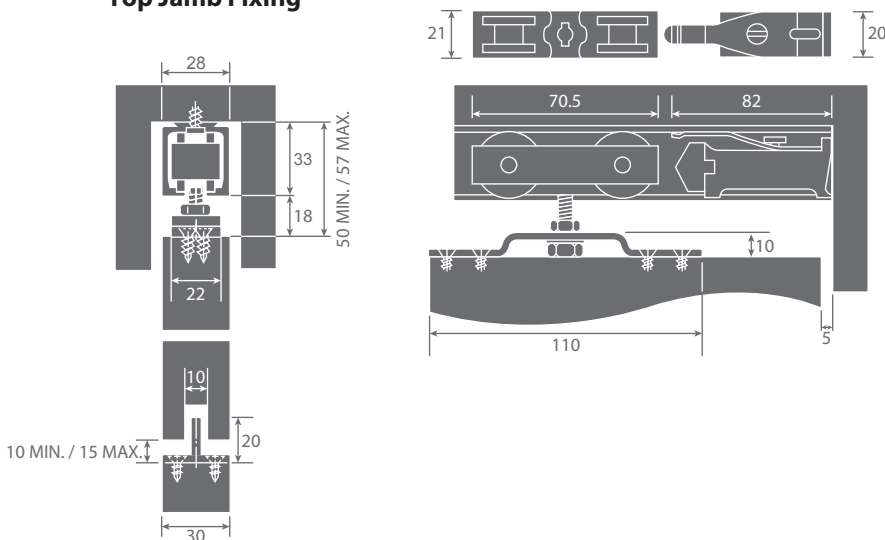
DT-081 (38kgs) (5', 6', 8', 10')
DT-082 (120kgs) (5', 6', 8', 10')

Finish : F72
 (passed 70,000 cycle test)

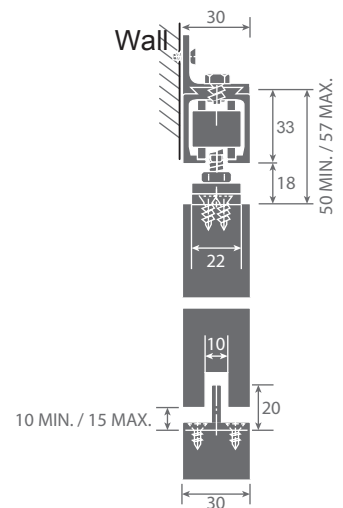


Use at least 3 wall mounts. Distance between wall mounts should be less than 300mm.

Top Jamb Fixing

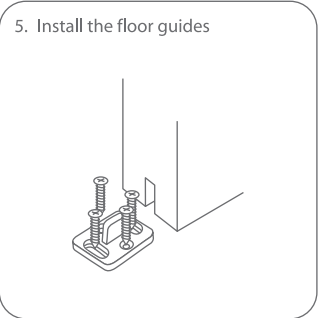
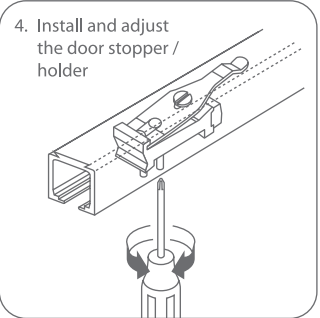
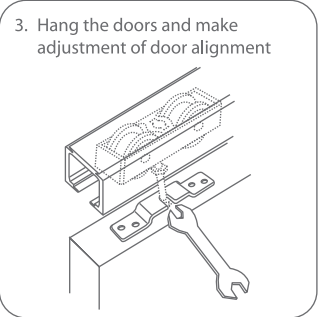
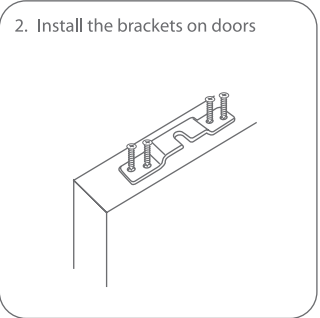
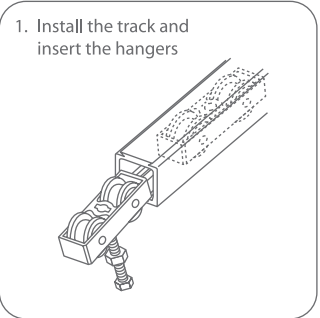
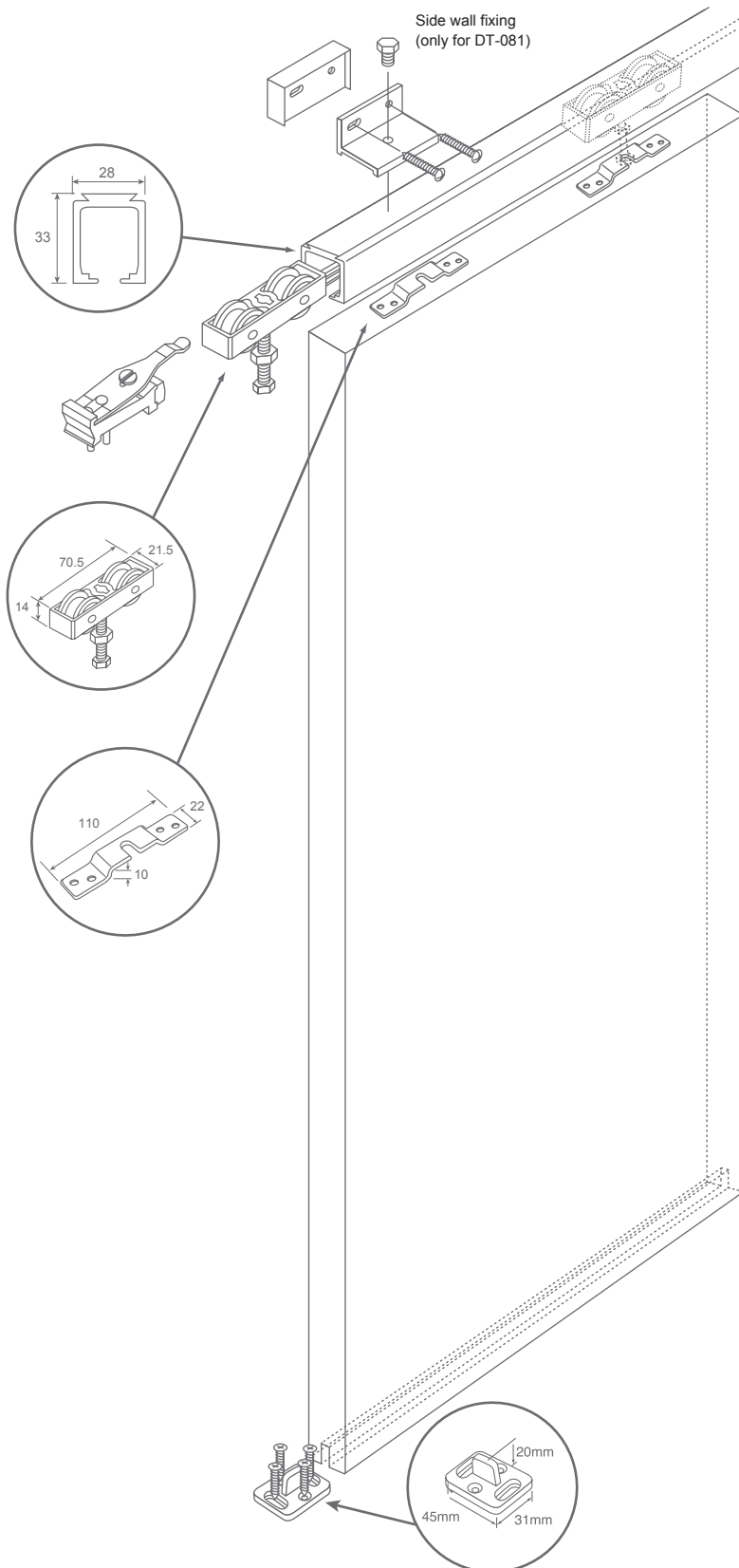


Side Wall Fixing Only For DT-081



Dimensions in mm

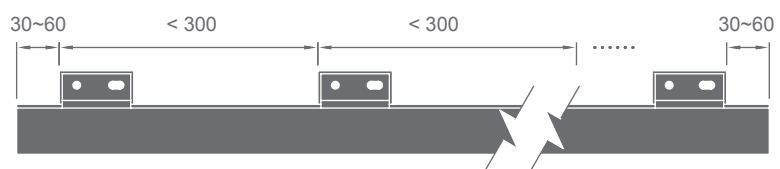
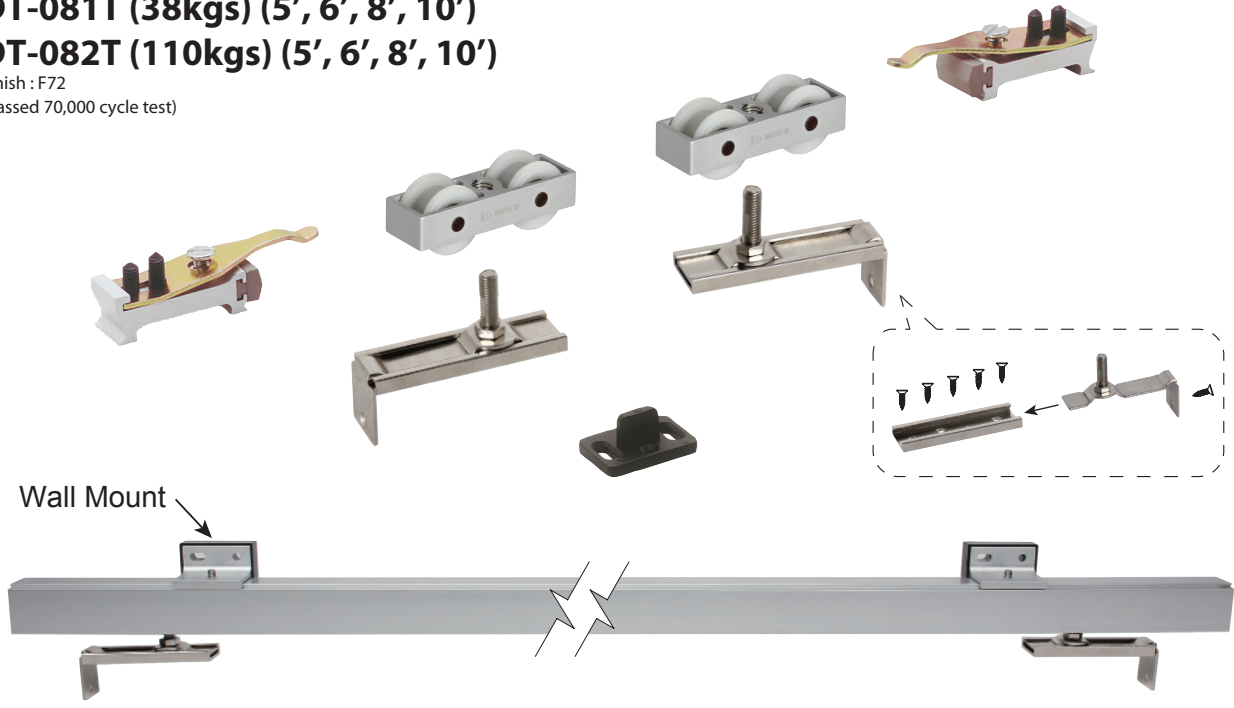
Sliding Door Track Sets Installation



SLIDING DOOR TRACK SETS

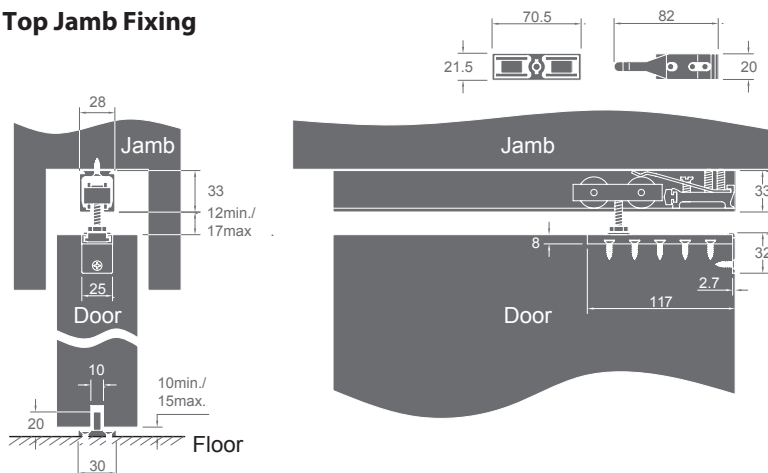
DT-081T (38kgs) (5', 6', 8', 10')
DT-082T (110kgs) (5', 6', 8', 10')

Finish : F72
 (passed 70,000 cycle test)

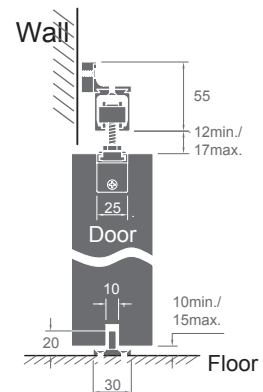


Use at least 3 wall mounts. Distance between wall mounts should be less than 300mm.

Top Jamb Fixing

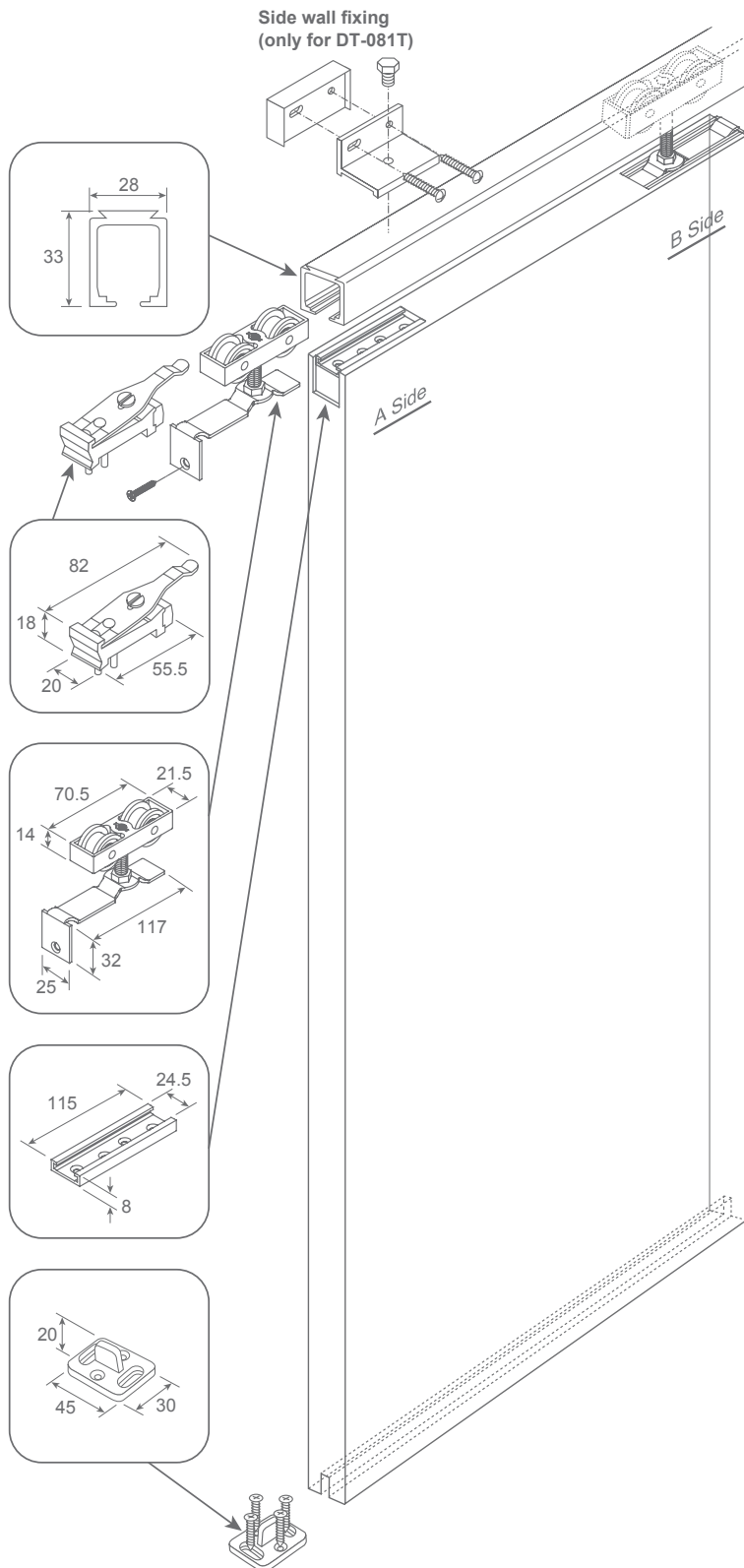


Side Wall Fixing Only For DT-081T



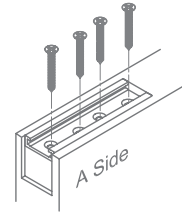
Dimensions in mm

Sliding Door Track Sets Installation

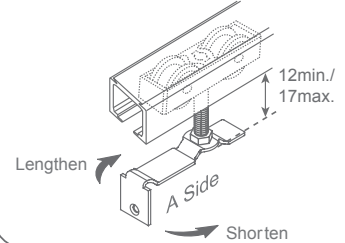


For each step, repeat instructions on 'A side' for 'B side'.

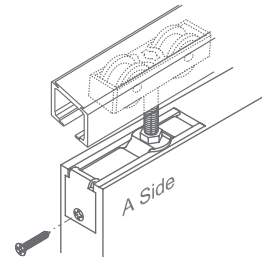
1. Fix door bracket to the door with screws.



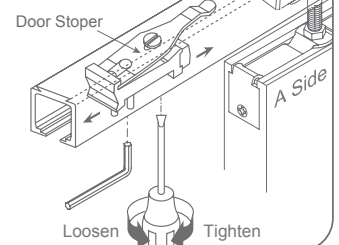
2. Insert hanger rollers into the track. Rotate to adjust height as needed.



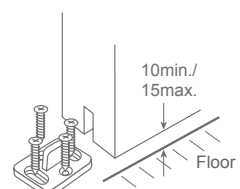
3. Slide hanger plates into door bracket and fix with screw.



4. Insert door stopper / holder into the track and secure in place with wrench. Adjust tightness of hold as needed with screwdriver.



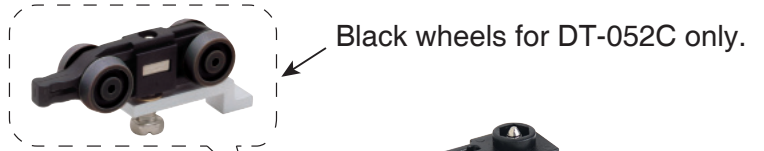
5. Fix door guide to the floor with screws.



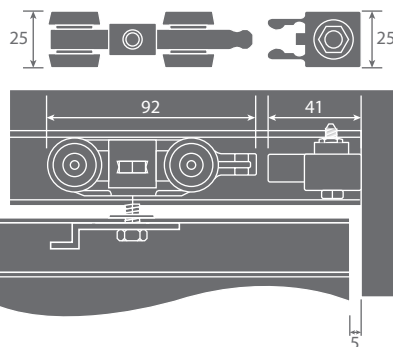
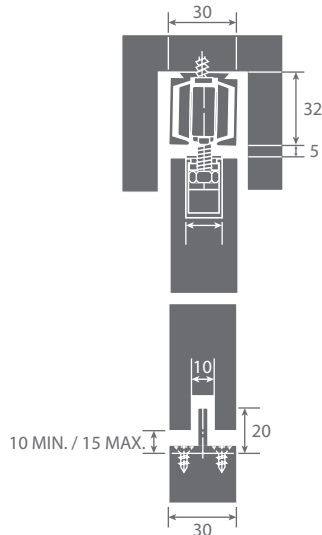
CONCEALED TYPE SLIDING DOOR TRACK SETS

DT-052C (38kgs) (5', 6', 8', 10')
DT-054C (65kgs) (5', 6', 8', 10')

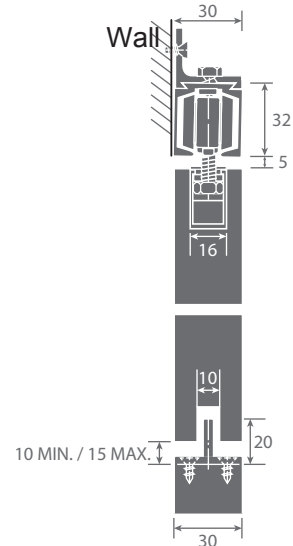
Finish : F72
 (passed 70,000 cycle test)



Top Jamb Fixing

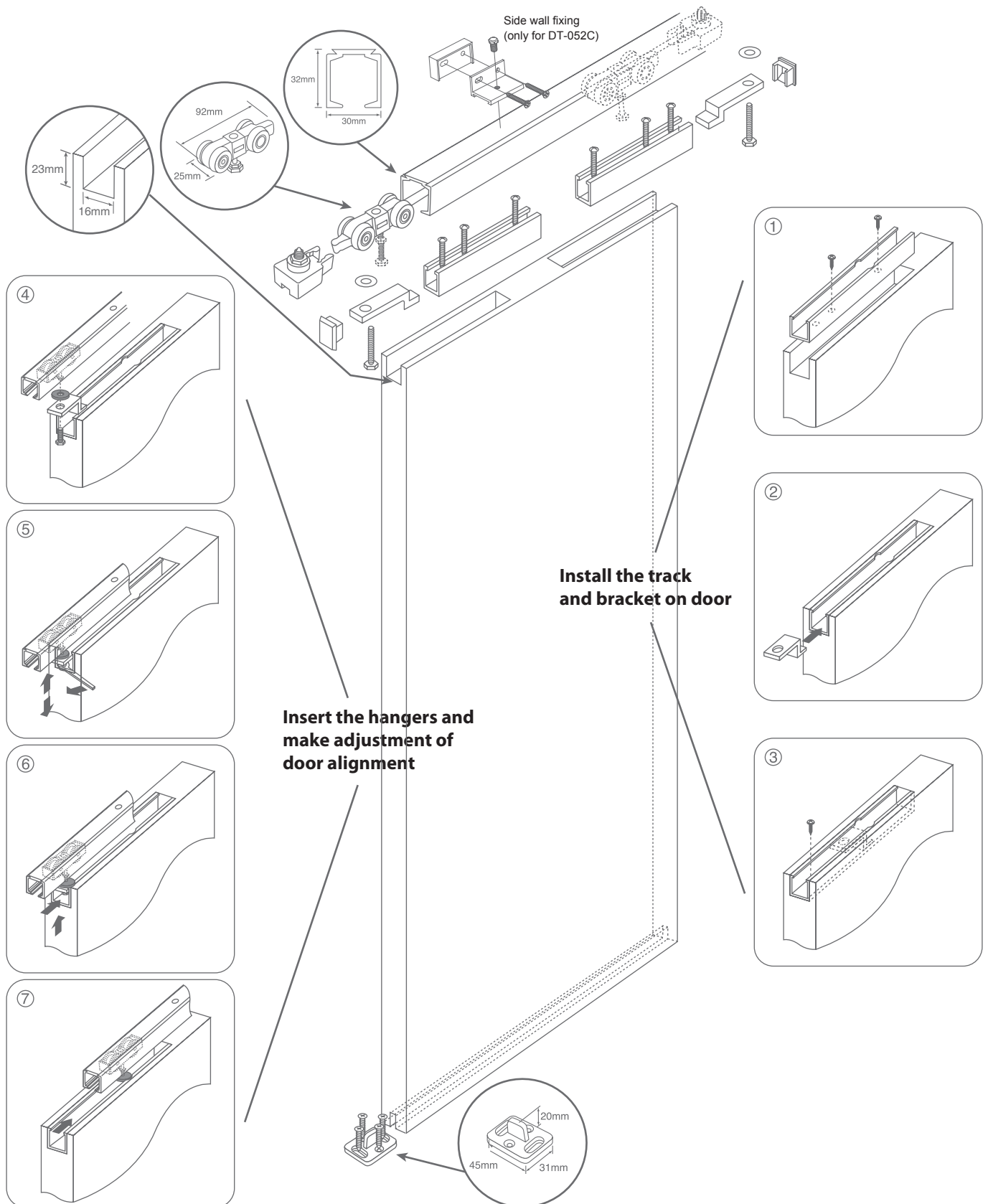


Side Wall Fixing Only For DT-052C



Dimensions in mm

Concealed Type Sliding Door Track Sets Installation

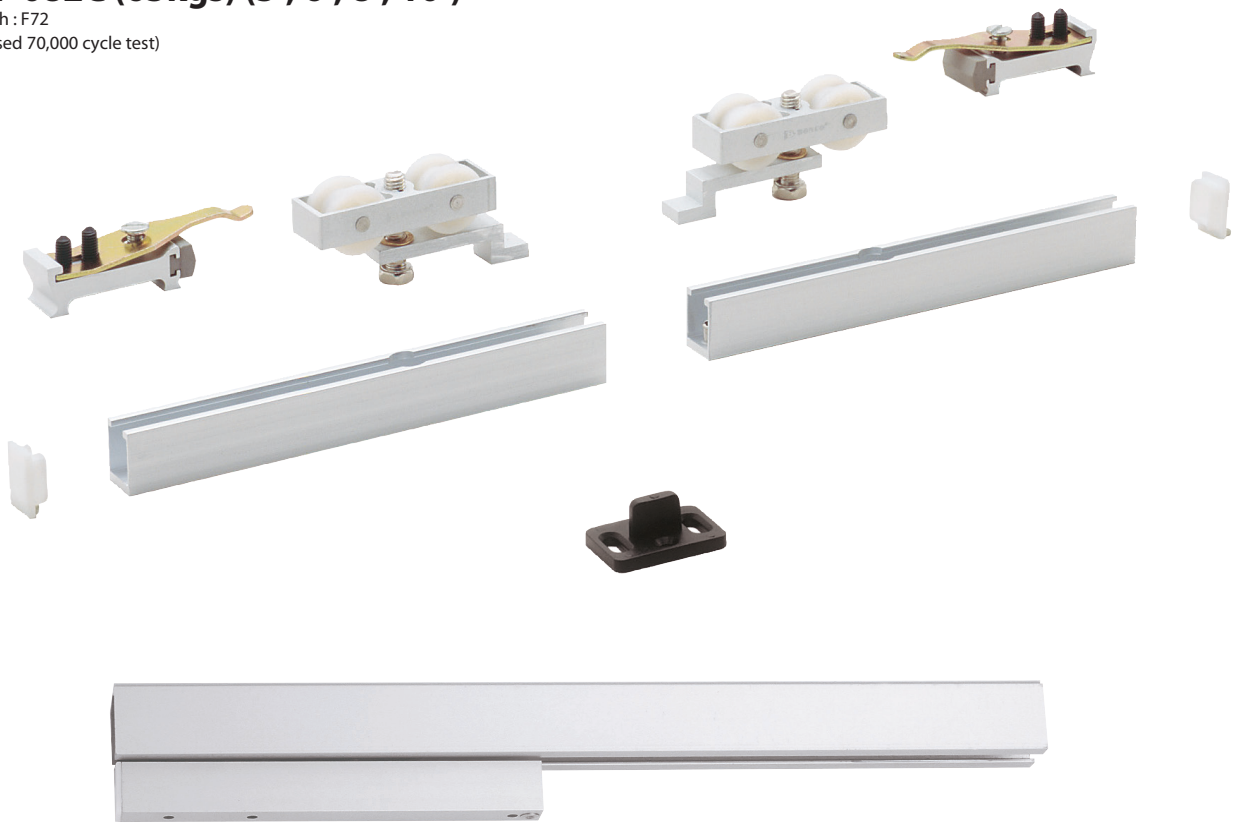


CONCEALED TYPE SLIDING DOOR TRACK SETS

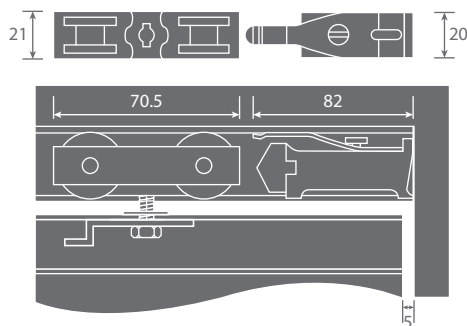
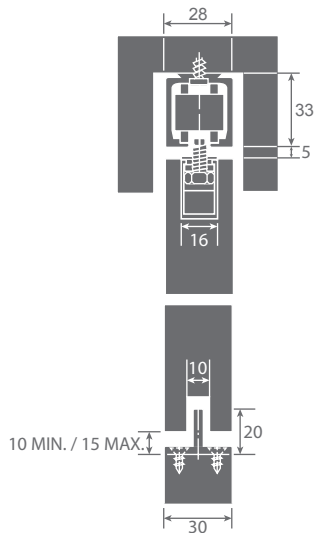
DT-081C (38kgs) (5', 6', 8', 10')

DT-082C (65kgs) (5', 6', 8', 10')

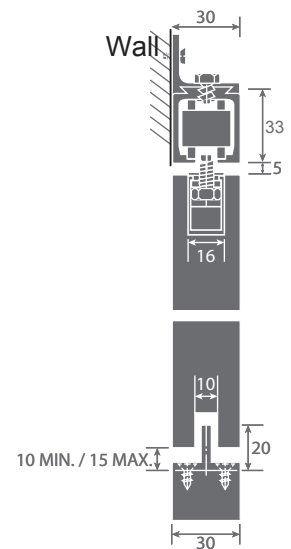
Finish : F72
(passed 70,000 cycle test)



Top Jamb Fixing

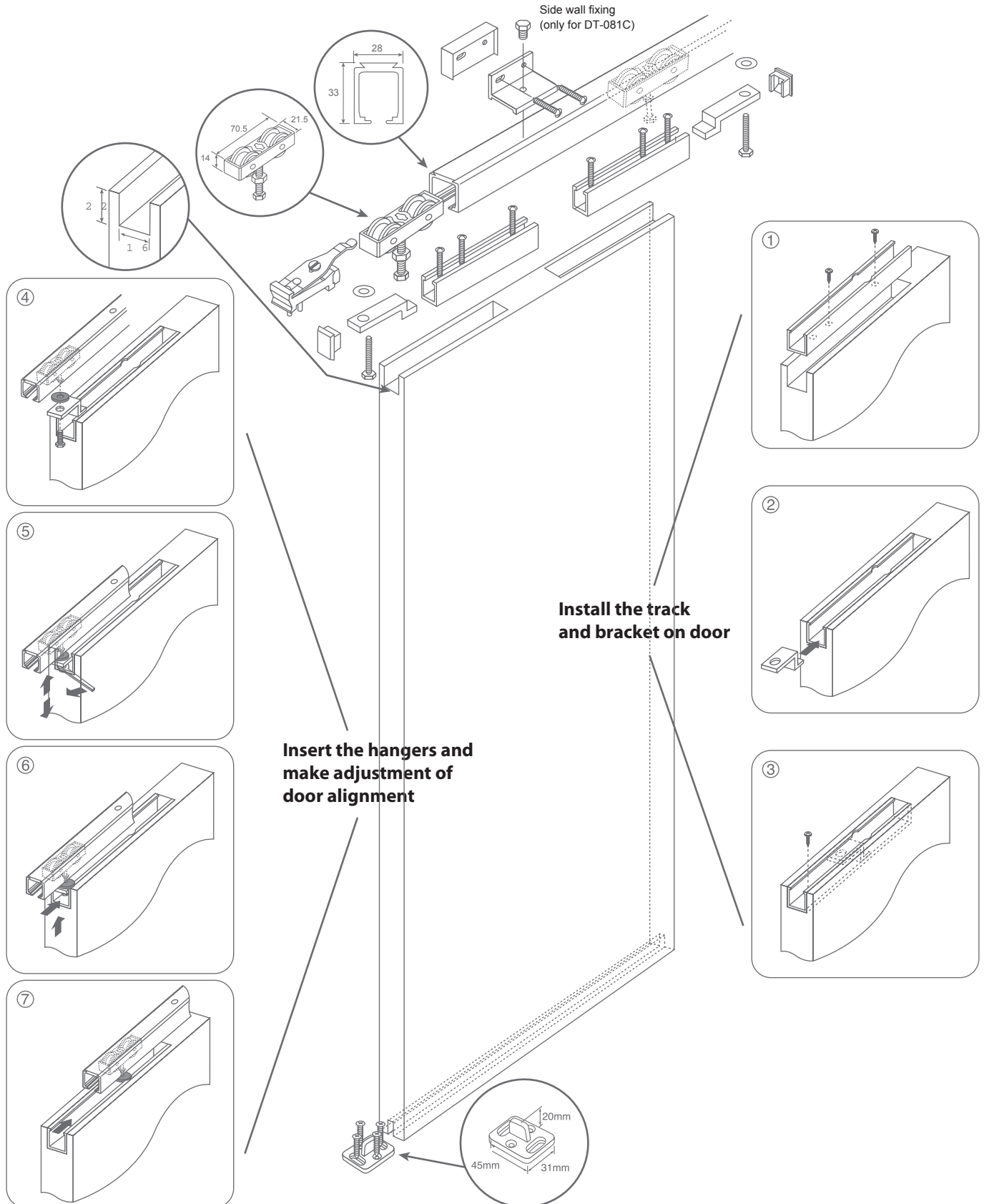


**Side Wall Fixing
Only For DT-081C**



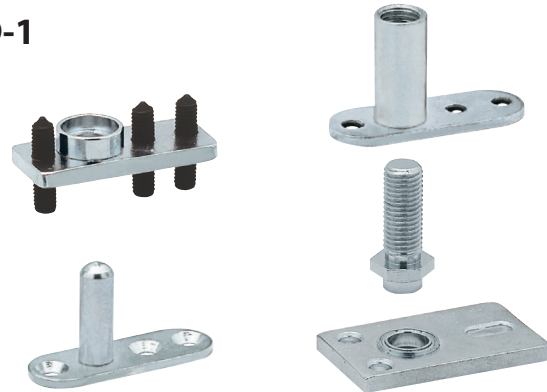
Dimensions in mm

Concealed Type Sliding Door Track Sets Installation



FOLDING TYPE SLIDING DOOR TRACK SETS

DT-081FD-1



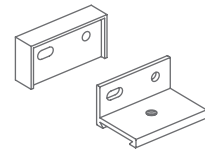
DT-081FD-2



DT-081FD-3



DT-081FD-4



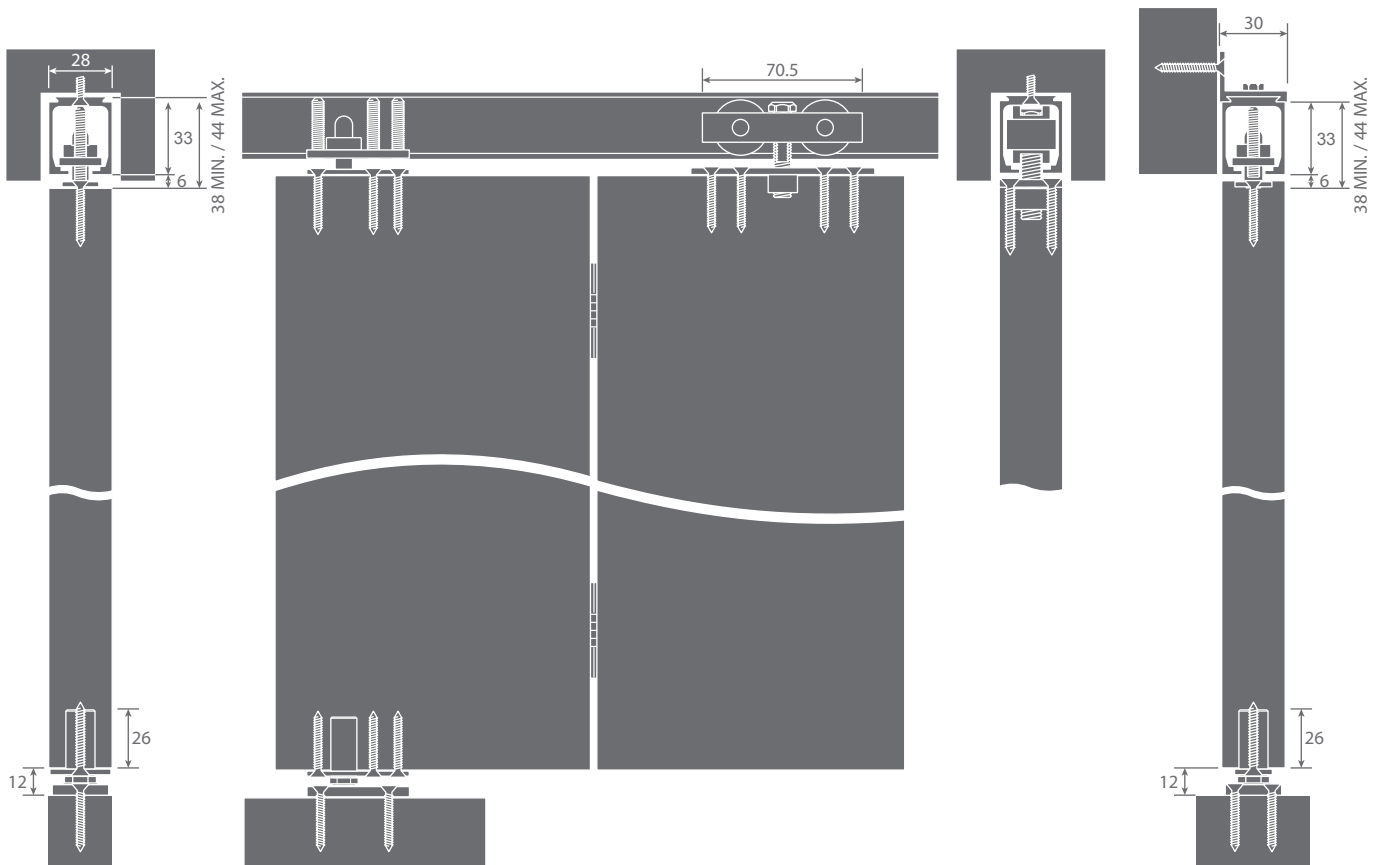
DT-081FD (38kgs) (5', 6', 8', 10')

Folding Type Sliding Door Track Set
Finish : F72
(passed 70,000 cycle test)



FOLDING TYPE SLIDING DOOR TRACK SETS

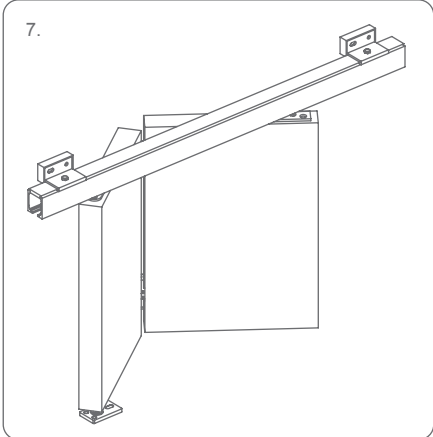
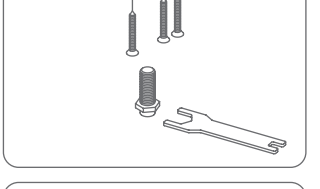
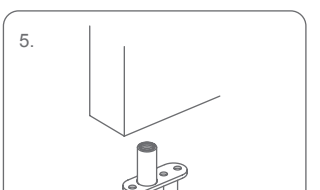
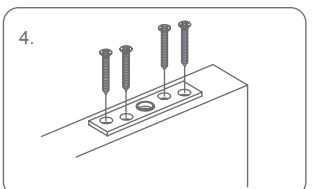
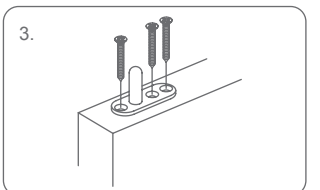
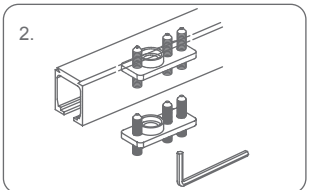
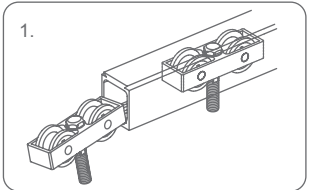
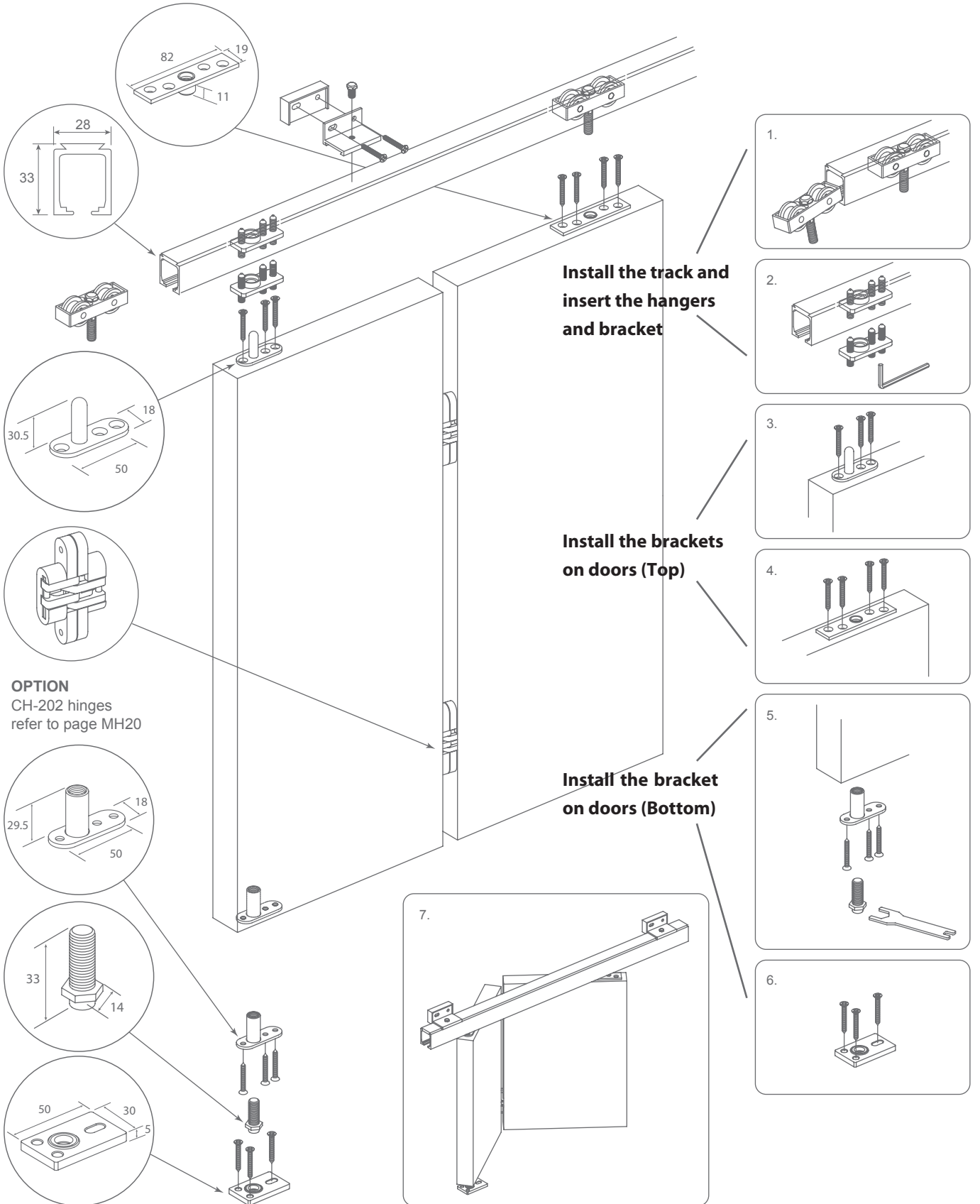
Dimensions
in millimeters




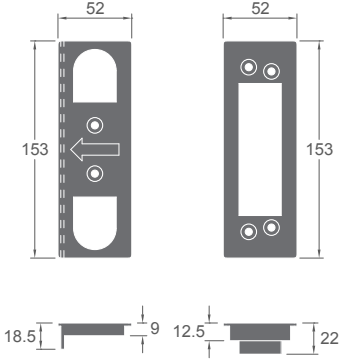

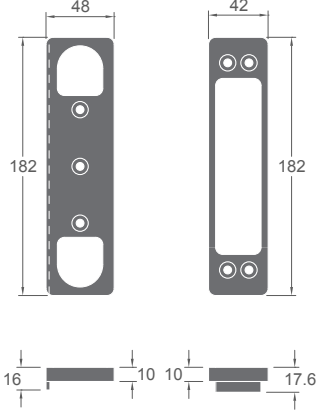
Top Jamb Fixing

Side Wall Fixing





Folding Type Sliding Door Track Sets Installation





Aid Tool - AT Series NEW

Model	Photo	Dimensions in mm	Used for
AT-04	 <p style="text-align: center;">wood milling-tool</p>		<p style="text-align: center;">For CH-501D / CH-501D-S</p>
AT-05	 <p style="text-align: center;">wood milling-tool</p>		<p style="text-align: center;">For CH-502D / CH-502D-S</p>





Electroplate Finishes List

BONCO	Description	BONCO	Description
	F21 Bright chrome		F22 Satin nickel
	F31 Antique brass		F32 Antique copper

SUS Finishes List

BONCO	Description	BONCO	Description
	F24 Satin stainless steel		F25 Polished stainless steel

BPC Finishes List

BONCO	Description	BONCO	Description
	F91 Matt black powder coating		F91T Matt black powder coating with rough surface
	F93 Matt white powder coating		F93T Matt white powder coating with rough surface

BONCO	Description	BONCO	Description
	F94T Matt light grey powder coating with rough surface		F96T Matt dark grey powder coating with rough surface
	F97 Matt brown powder coating		F97T Matt brown powder coating with rough surface
	F99 Matt champagne silver powder coating		F99R Rough touch champagne silver powder coating NEW
	F100 Matt silver grey powder coating		F100T Matt silver grey powder coating with rough surface
	F101 Matt champagne gold powder coating		F102 Matt antique brass gold powder coating
	F102T Matt antique brass gold powder coating with rough surface		F104T Matt light green powder coating with rough surface
	F105T Matt dark green powder coating with rough surface		F106T Matt light blue powder coating with rough surface
	F107T Matt dark blue powder coating with rough surface		F108T Matt rose gold powder coating with rough surface

PVD Finishes List

BONCO	Description	BONCO	Description
	F16 Polished brass		F17 Brushed brass
	F301 Polished bronze		F302 Brushed bronze
	F303 Brushed chrome		F304 Red gold
	F305 Brushed red gold		F306 Polished black chrome
	F307 Brushed black chrome		F308 Steel optic
	F310 Polished nickel		F311 Gold optic
	F316 Brushed nickel		



Name of quality & dependability

www.boncohardware.com

BONCO Ironmongery Ltd.
A Member of E. Bon Holdings (HKEx stock code 599)

16/F, First Commercial Building, 33 Leighton Rd., Causeway Bay, H.K.
Tel : (852) 2891 2188 Fax : (852) 2834 2652

