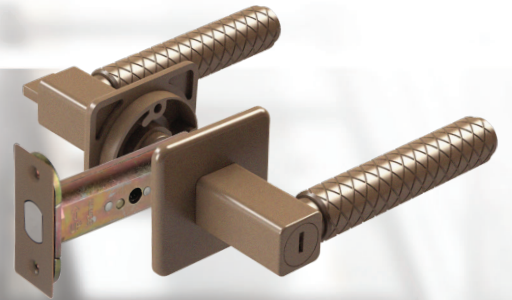



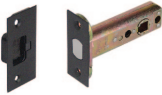
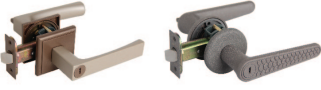
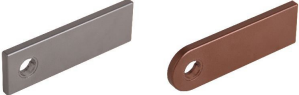
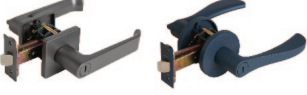


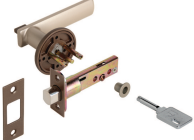
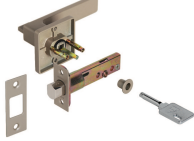

Lever Locksets



high quality lever locks



4624A-KL700	LN36-37
4624A-LC100	LN34-35
4624A-RT600	LN32-33
5091 Series Latch	LN31
5091GN Series Latch	LN10
KL 701	LN20
KL 702	LN21
KL 703	LN22
KL 704	LN23
KL 705	LN24
KL 707	LN25
KL 708	LN26
KL 709	LN27
KL 710	LN28
KL 711	LN29
KL Rose	LN30
LC 101	LN11
LC 102	LN12
LC 103	LN13
LC 104	LN14
LC 105	LN15
LC 106	LN16
LC-Linear Rose	LN18-19
LC Rose	LN17
RT 601	LN4
RT 602	LN5
RT 603	LN6
RT 604	LN7
RT 605	LN8
RT Rose	LN9
Finishes List	LN38-39

	RT 600 Series & Rose	LN4 - 9
	5091GN Series Latch	LN10
	LC 100 Series & Rose	LN11 - 17
	LC Linear Rose	LN18 - 19
	KL 700 Series & Rose	LN20 - 30
	5091 Series Latch	LN31
	4624A-RT600	LN32 - 33
	4624A-LC100	LN34 - 35
	4624A-KL700	LN36 - 37
	Finishes List	LN38 - 39

NEW

RT 601 SERIES

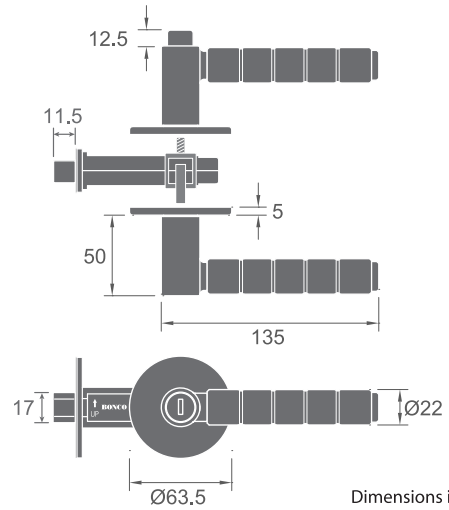
Finishes :
F91~F102, F91T~ F108T

Backset : 60mm, 70mm

Door Thickness :
40~44mm, 45~55mm

(Passed 200,000 Cycle Test)

RT601-B

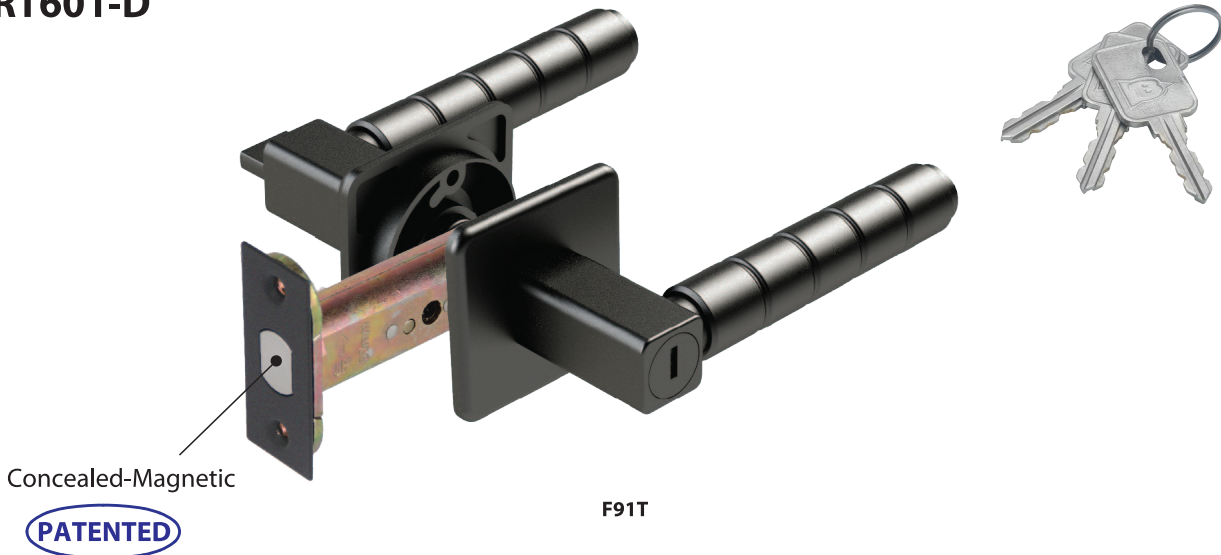


Dimensions in millimeters

RT601-B



RT601-D



NEW

RT 602 SERIES

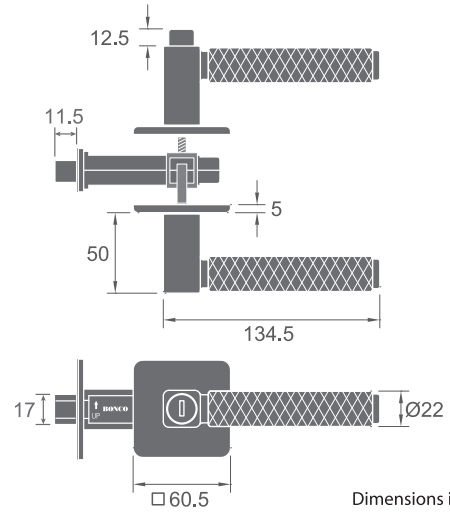
Finishes :
F91~102, F91T~ F108T

Backset : 60mm, 70mm

Door Thickness :
40~44mm, 45~55mm

(Passed 200,000 Cycle Test)

RT602-D



Dimensions in millimeters

RT602-B

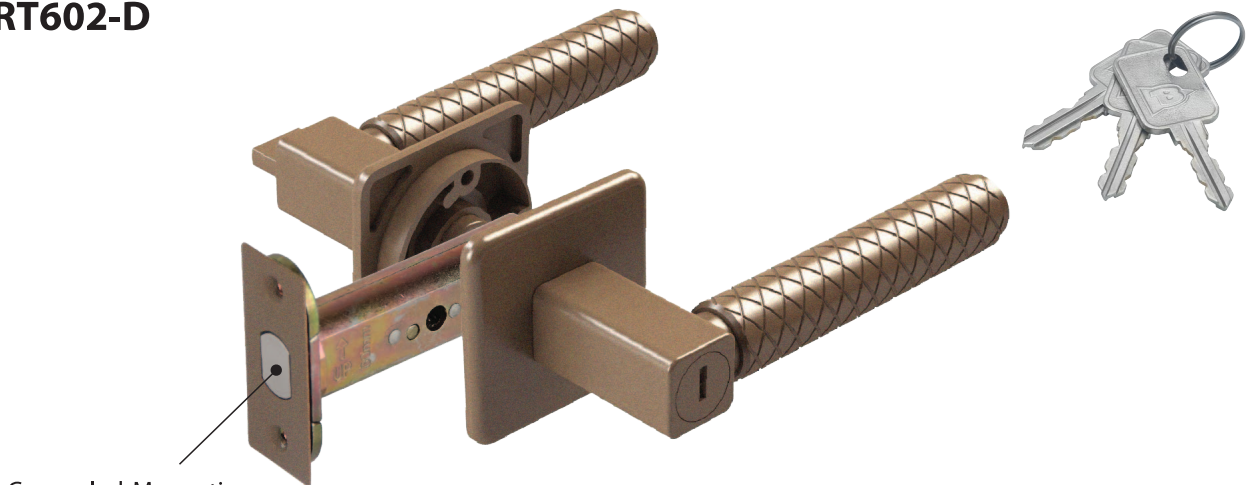


Concealed-Magnetic

PATENTED

F91

RT602-D



Concealed-Magnetic

PATENTED

F102T

NEW

RT 603 SERIES

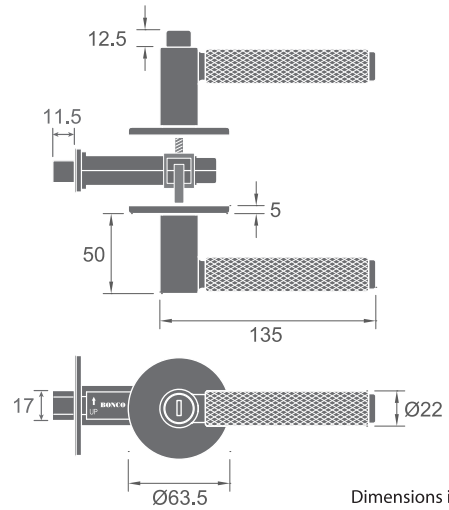
Finishes :
F91~F102, F91T~ F108T

Backset : 60mm, 70mm

Door Thickness :
40~44mm, 45~55mm

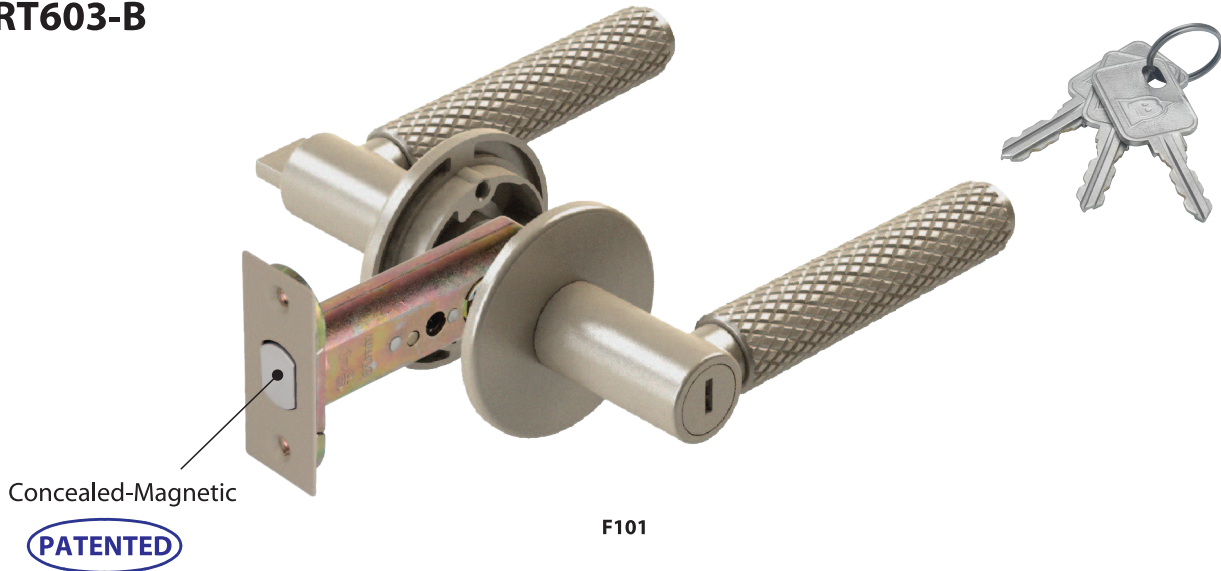
(Passed 200,000 Cycle Test)

RT603-B

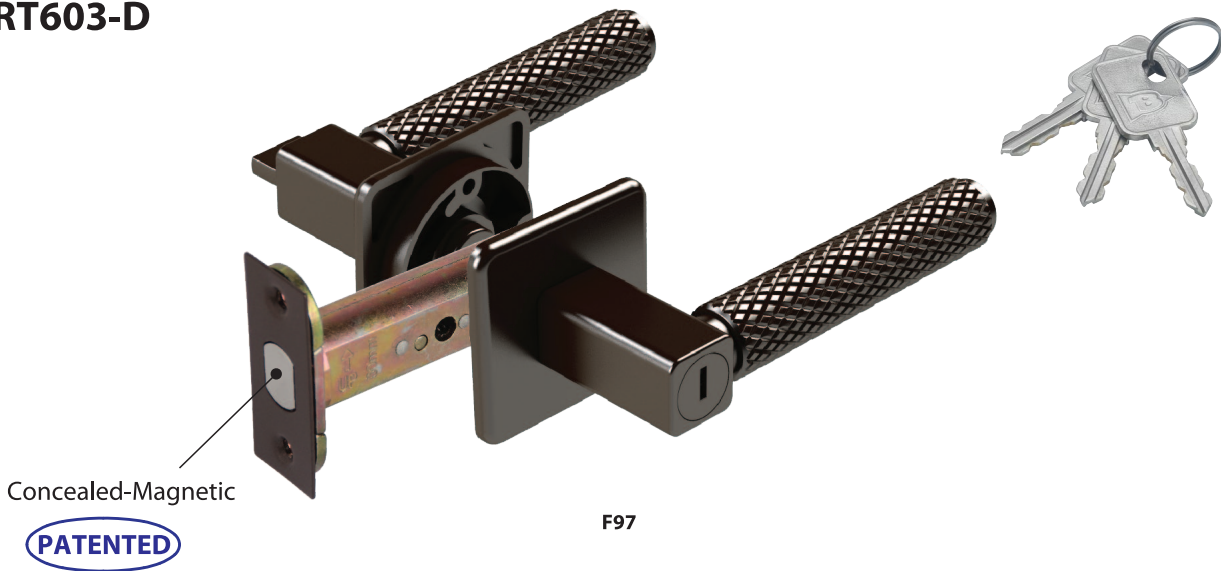


Dimensions in millimeters

RT603-B

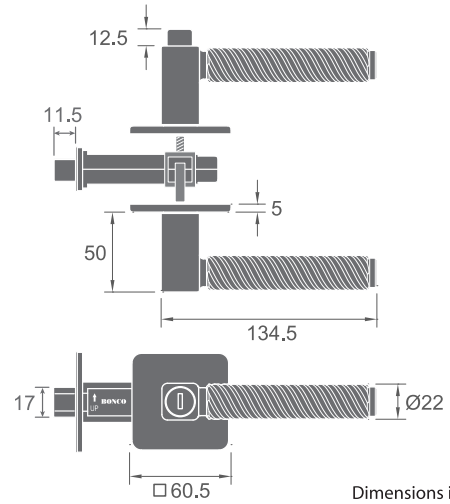


RT603-D



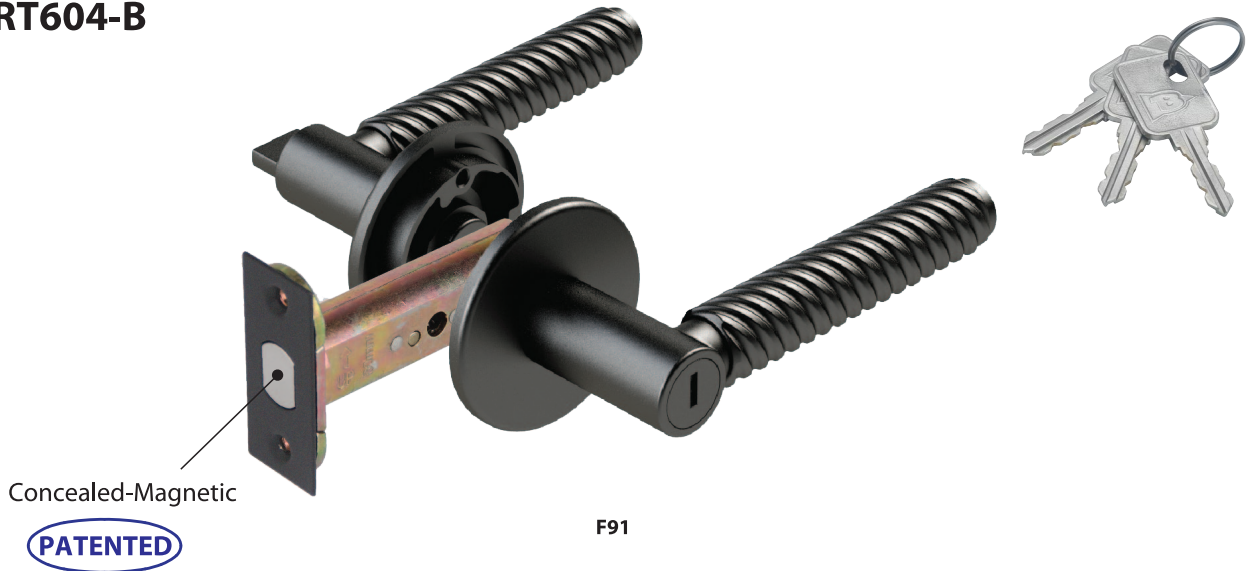
NEW
RT 604 SERIES
 Finishes :
 F91~102, F91T~ F108T
 Backset : 60mm, 70mm
 Door Thickness :
 40~44mm, 45~55mm
 (Passed 200,000 Cycle Test)

RT604-D

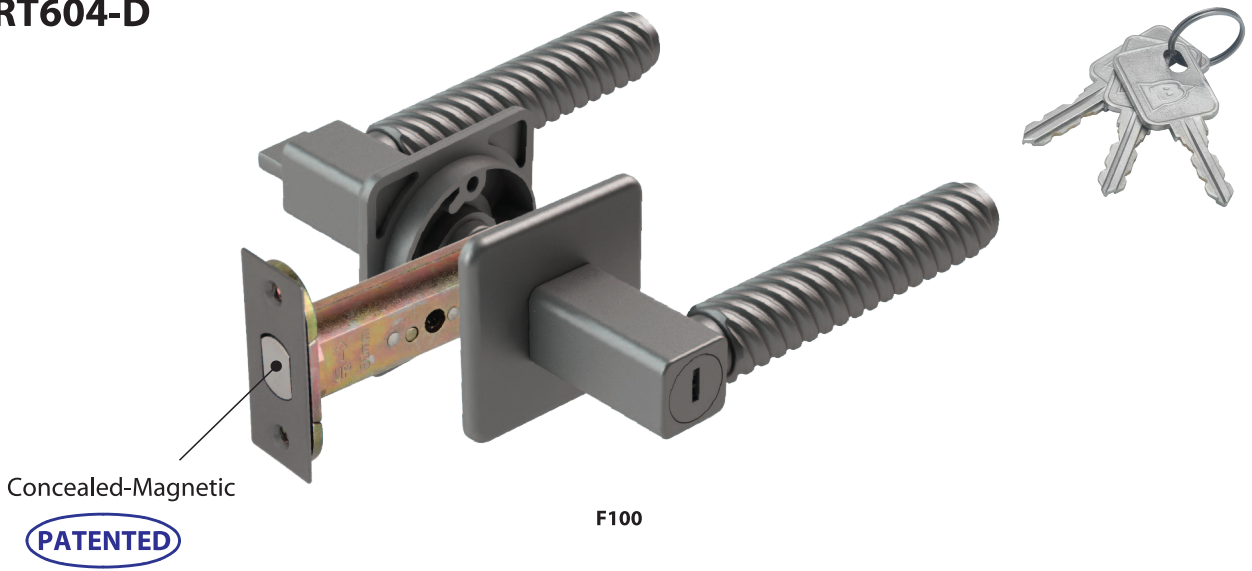


Dimensions in millimeters

RT604-B



RT604-D



NEW
RT 605 SERIES

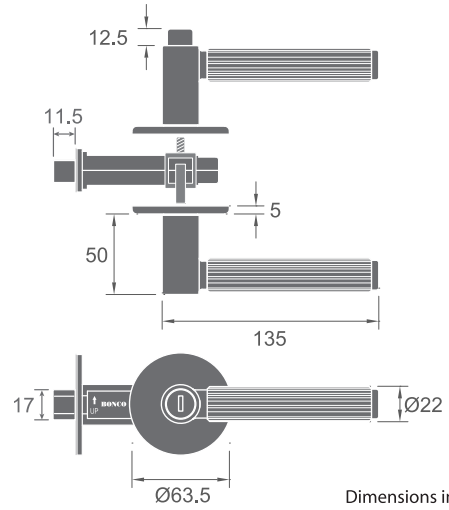
Finishes :
F91~F102, F91T~ F108T

Backset : 60mm, 70mm

Door Thickness :
40~44mm, 45~55mm

(Passed 200,000 Cycle Test)

RT605-B



RT605-B

Concealed-Magnetic

PATENTED

F93T

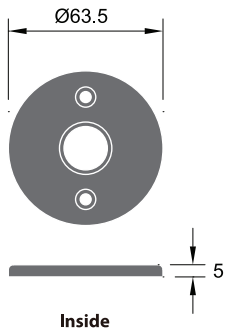
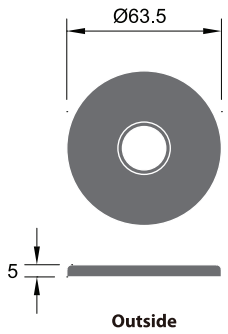
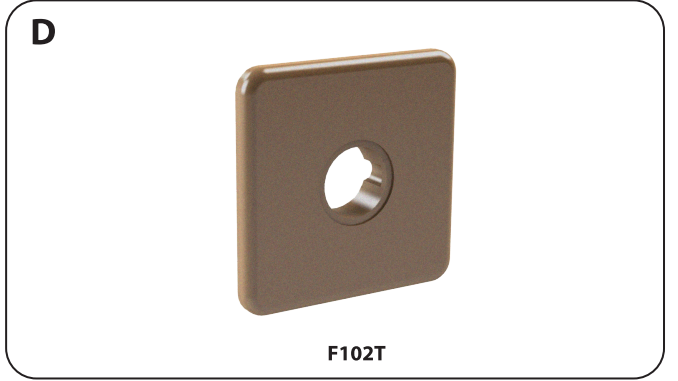
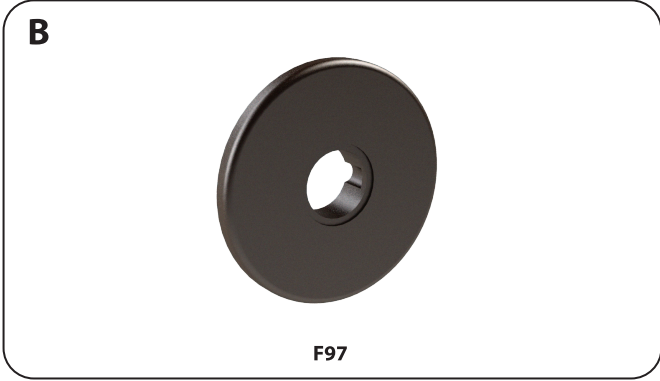
RT605-D

Concealed-Magnetic

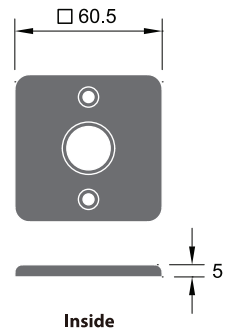
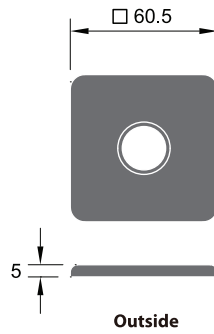
PATENTED

F96T

Rose for RT Series NEW



B



D

How to Order for RT Series

EXAMPLE : RT601-B-05-5091GN-70-F91-50DT						
Lever	Rose	Function	Latch	Backset	Finish	Door Thickness
RT601	B	05	5091GN	70	F91	50DT
		Latch Bolt by key outside or by thumb turn inside.		Matt black powder coating	50mm	

Dimensions in millimeters

Latch for RT Series NEW

5091GN PATENTED

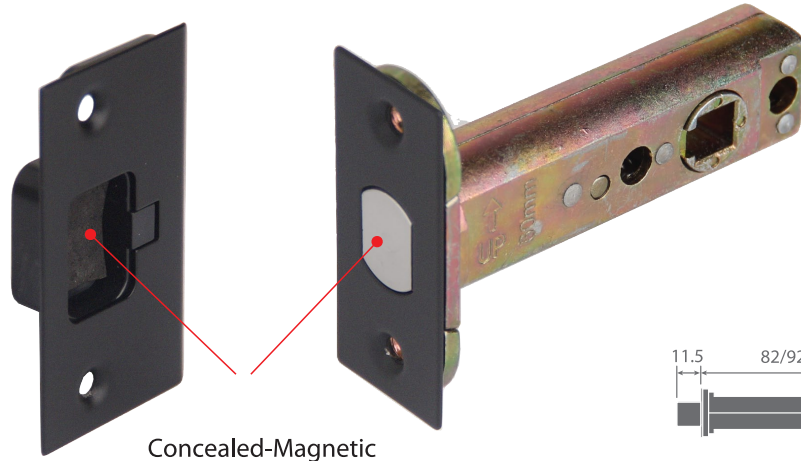
Latch : Aluminium with Magnetic

Backset : 60mm, 70mm

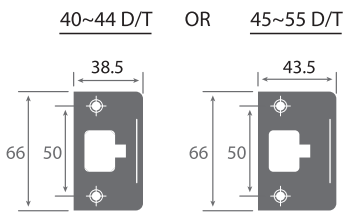
Door Thickness :

40~44, 45~55mm

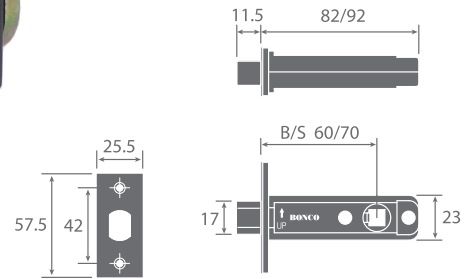
(Passed 200,000 Cycle Test)



Concealed-Magnetic



Strike Plate
(Stainless Steel)



Face Plate
(Stainless Steel)

Function for RT Series

Locations	Function NO.	External Appearances		Operations
		Outside	Inside	
Entrance	05			Latch Bolt by key outside or by thumb turn inside.
Privacy	65			Latch Bolt by thumb turn inside or open by emergency release by coin outside.
Passage	15			Latch Bolt by lever both side . Both levers always free.

Dimensions in millimeters

LC 101 SERIES

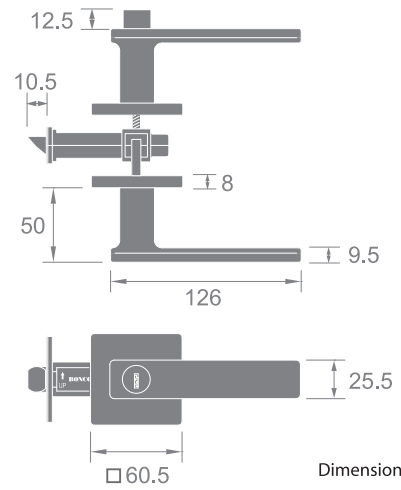
Finishes :
F91~F102, F91T~F108T,
C04, C05

Backset : 60mm, 70mm

Door Thickness :
35~44mm, 45~55mm

(Passed 200,000 Cycle Test)

LC101-B



Dimensions in millimeters

LC101-B



(Concealed-Screw)

PATENTED

F91

LC101-A



F91

LC101-C



F91

LC 102 SERIES

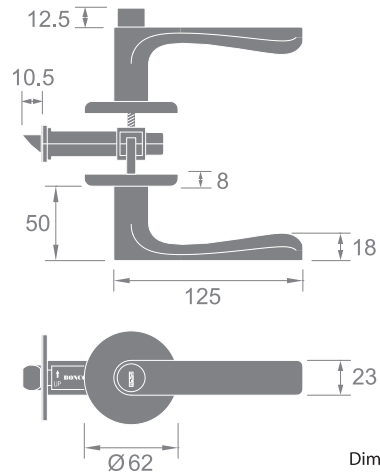
Finishes :
F91~F102, F91T~F108T,
C04, C05

Backset : 60mm, 70mm

Door Thickness :
35~44mm, 45~55mm

(Passed 200,000 Cycle Test)

LC102-A



Dimensions in millimeters

LC102-A

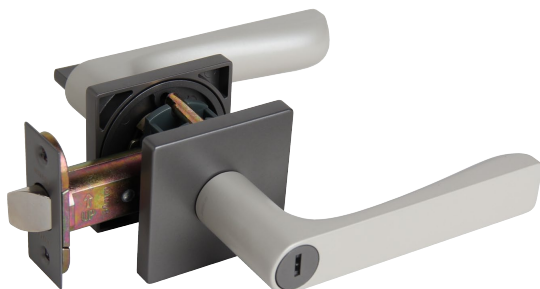


C04

(Concealed-Screw)

PATENTED

LC102-B



C04

LC102-C



C04

LC 103 SERIES

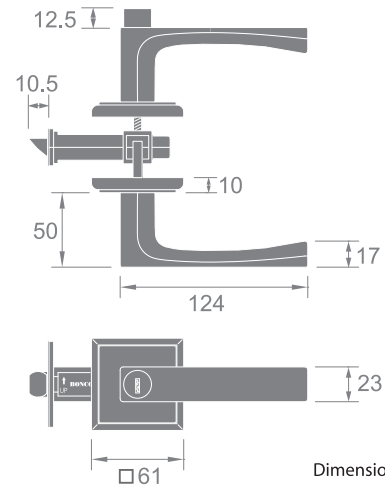
Finishes :
F91~F102, F91T~F108T,
C04, C05

Backset : 60mm, 70mm

Door Thickness :
35~44mm, 45~55mm

(Passed 200,000 Cycle Test)

LC103-C



Dimensions in millimeters

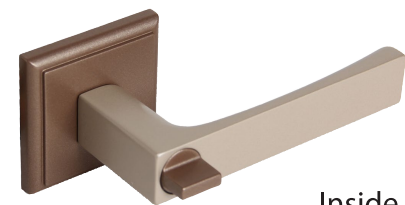
LC103-C



C05



Outside



Inside

(Concealed-Screw)

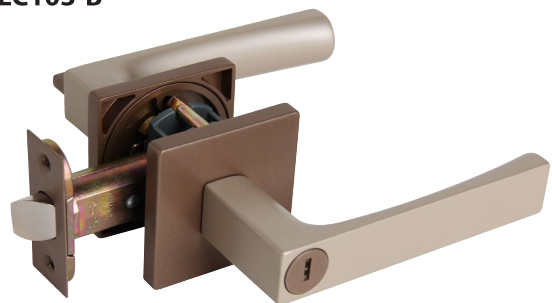


LC103-A



C05

LC103-B



C05

LC 104 SERIES

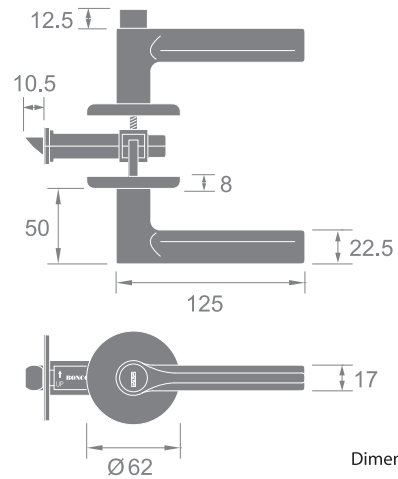
Finishes :
F91~F102, F91T~F108T,
C04, C05

Backset : 60mm, 70mm

Door Thickness :
35~44mm, 45~55mm

(Passed 200,000 Cycle Test)

LC104-A



Dimensions in millimeters

LC104-A



F97T

(Concealed-Screw)

PATENTED

LC104-B



F97T

LC104-C



F97T

LC 105 SERIES

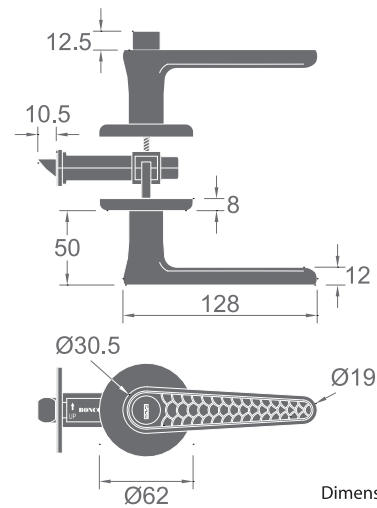
Finishes :
F91~F102, F91T~F108T,
C04, C05

Backset : 60mm, 70mm

Door Thickness :
35~44mm, 45~55mm

(Passed 200,000 Cycle Test)

LC105-A



Dimensions in millimeters

LC105-A



F96T

(Concealed-Screw)

PATENTED

LC105-B



F96T

LC105-C



F96T

LC 106 SERIES

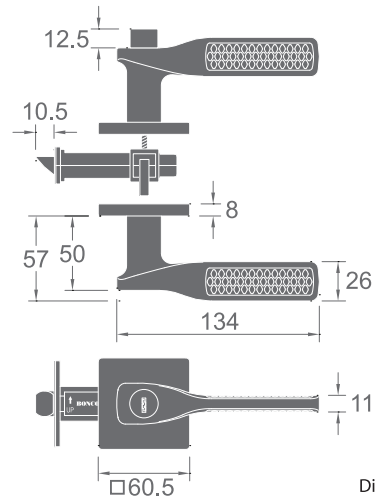
Finishes :
F91~F102, F91T~F108T,
C04, C05

Backset : 60mm, 70mm

Door Thickness :
35~44mm, 45~55mm

(Passed 200,000 Cycle Test)

LC106-B



Dimensions in millimeters

LC106-B



F94T

(Concealed-Screw)

PATENTED

LC106-A



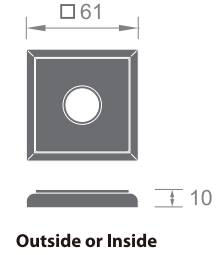
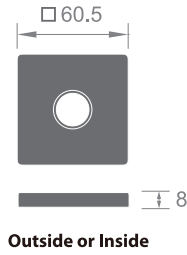
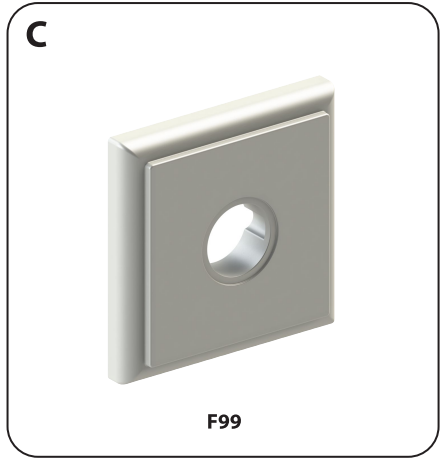
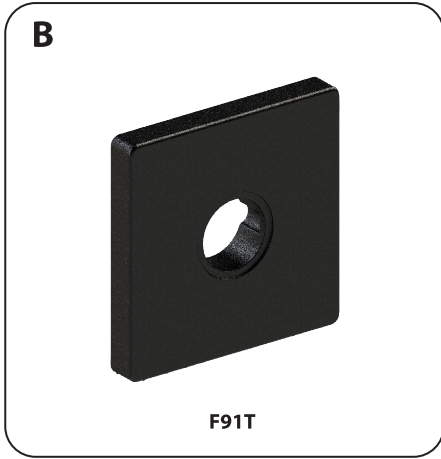
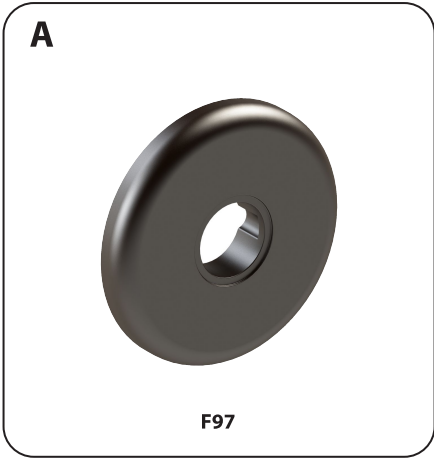
F94T

LC106-C



F94T

LC Rose



How to Order

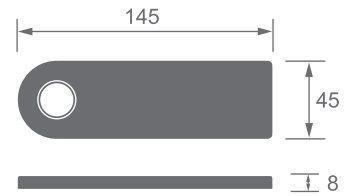
EXAMPLE : LC101-B-05-5091SSN-60-F97-RH-45DT							
Lever	Rose	Function	Latch	Backset	Finish	Door Hand	Door Thickness
LC101	B	05	5091-SSN	60	F97	RH	45DT
		Latch Bolt by key outside or by thumb turn inside. *Select other Function from page LN31	 *Select other kinds of Latch from page LN31	Matt Brown powder coating *Select other Finishes from page LN38-39	Inside Outside 	45mm	

LC Linear Rose

R

Finishes :
F91~F102, F91T~F108T

R



F102

Outside or Inside

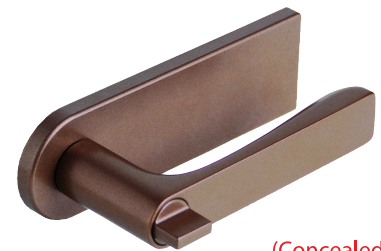
Example: LC102-R-05-5091EN-70-F102-RH



F102



Outside



Inside

(Concealed-Screw)



Example: LC104-R-05-5091EN-70-F97T-RH



F97T



Outside



Inside

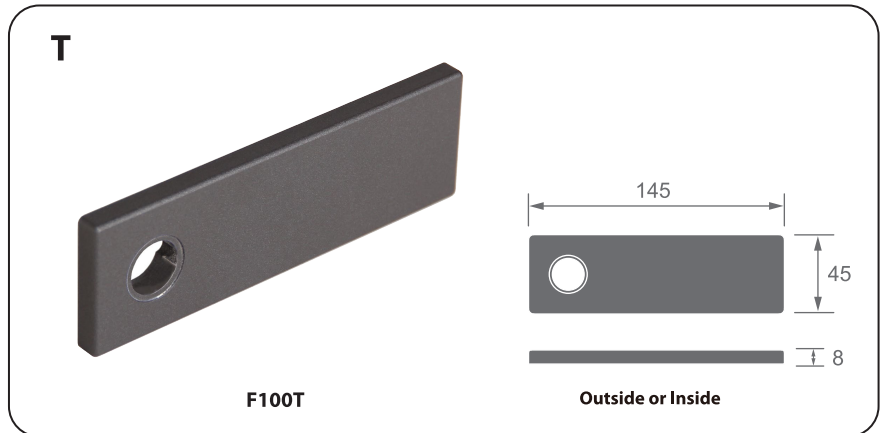
(Concealed-Screw)



LC Linear Rose

T

Finishes :
Select finish from page
LN30-LN31



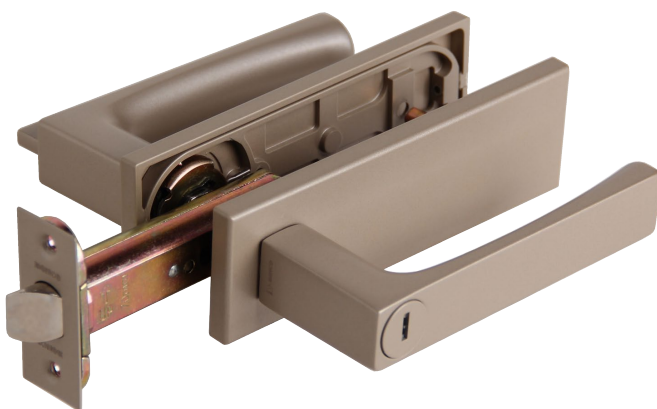
Example: LC101-T-05-5091EN-70-F100T-RH



(Concealed-Screw)

PATENTED

Example: LC103-T-05-5091EN-70-F101-RH



(Concealed-Screw)

PATENTED

KL 701 SERIES

Finishes :

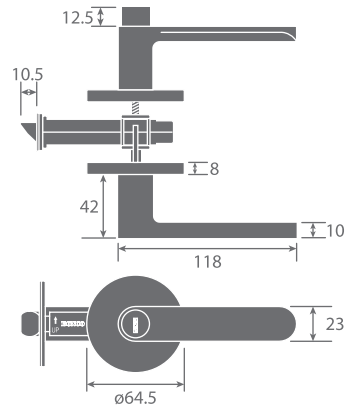
F21, F22, F91~F102,
F91T~F108T

Backset : 60mm, 70mm

Door Thickness :
35~44mm, 45~55mm

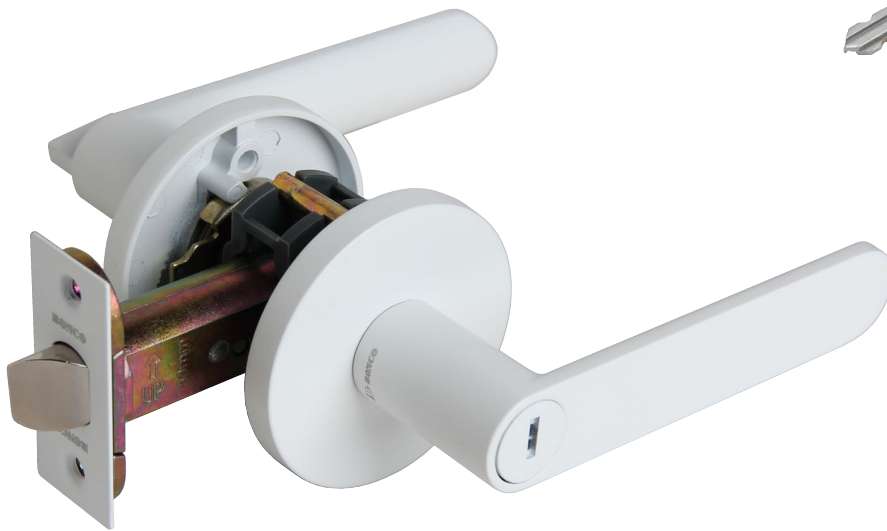
(Passed 200,000 Cycle Test)

KL701-B



Dimensions in millimeters

KL701-B



F93

KL701-A



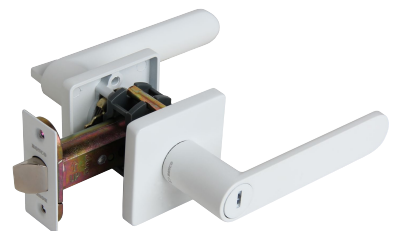
F93

KL701-C



F93

KL701-D



F93

KL 702 SERIES

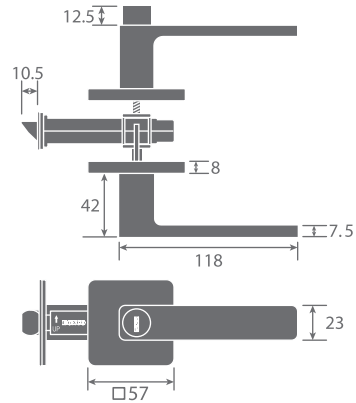
Finishes :
F21, F22, F91~F102,
F91T~F108T

Backset : 60mm, 70mm

Door Thickness :
35~44mm, 45~55mm

(Passed 200,000 Cycle Test)

KL702-D



Dimensions in millimeters

KL702-D



F21

KL702-A



F21

KL702-B



F21

KL702-C



F21

KL 703 SERIES

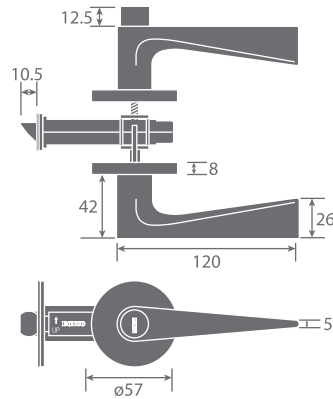
Finishes :
F21, F22, F91~F102,
F91T~F108T

Backset : 60mm, 70mm

Door Thickness :
35~44mm, 45~55mm

(Passed 200,000 Cycle Test)

KL703-C



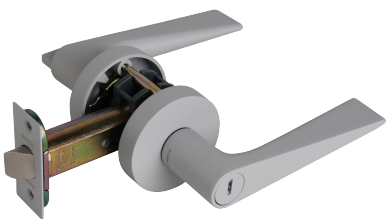
Dimensions in millimeters

KL703-C



F94T

KL703-A



F94T

KL703-B



F94T

KL703-D



F94T

KL 704 SERIES

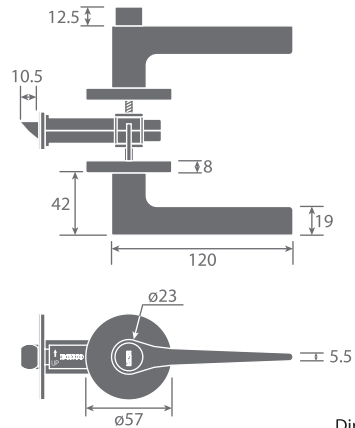
Finishes :
F21, F22, F91~F102,
F91T~F108T

Backset : 60mm, 70mm

Door Thickness :
35~44mm, 45~55mm

(Passed 200,000 Cycle Test)

KL704-C



Dimensions in millimeters

KL704-C



F97

KL704-A



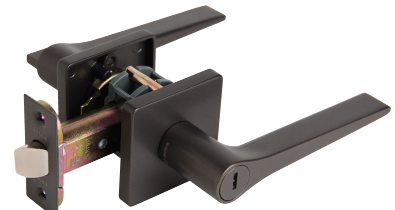
F97

KL704-B



F97

KL704-D



F97

KL 705 SERIES

Finishes :

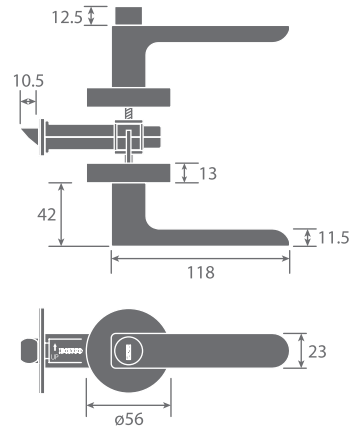
F21, F22, F91~F102,
F91T~F108T

Backset : 60mm, 70mm

Door Thickness :
35~44mm, 45~55mm

(Passed 200,000 Cycle Test)

KL705-A



Dimensions in millimeters

KL705-A



F22

KL705-B



F22

KL705-C



F22

KL705-D



F22

KL 707 SERIES

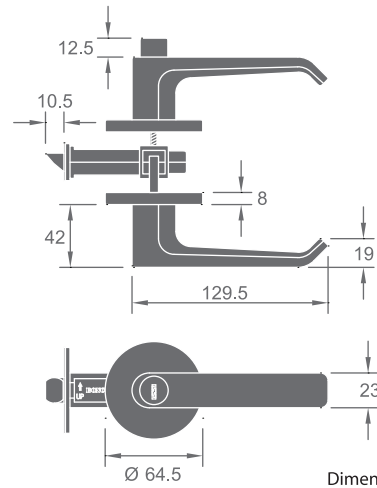
Finishes :
F21, F22, F91~F102,
F91T~F108T

Backset : 60mm, 70mm

Door Thickness :
35~44mm, 45~55mm

(Passed 200,000 Cycle Test)

KL707-B



Dimensions in millimeters

KL707-B



F100

KL707-A



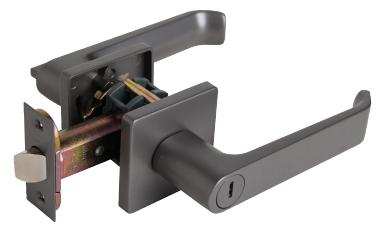
F100

KL707-C



F100

KL707-D



F100

KL 708 SERIES

Finishes :

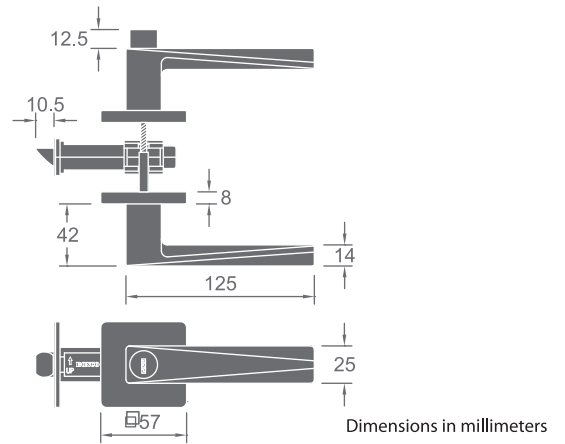
F21, F22, F91~F102,
F91T~F108T

Backset : 60mm, 70mm

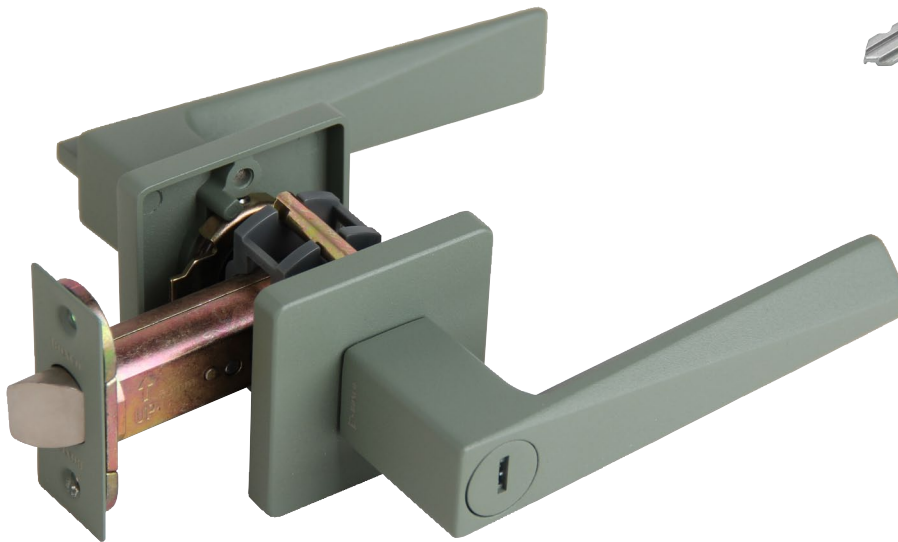
Door Thickness :
35~44mm, 45~55mm

(Passed 200,000 Cycle Test)

KL708-D



KL708-D



F104T

KL708-A



F105T

KL708-B



F105T

KL708-C



F105T

KL 709 SERIES

Finishes :

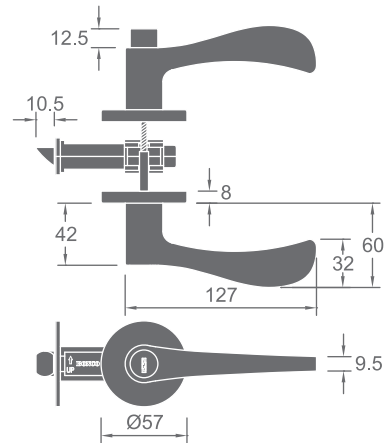
F21, F22, F91~F102,
F91T~F108T

Backset : 60mm, 70mm

Door Thickness :
35~44mm, 45~55mm

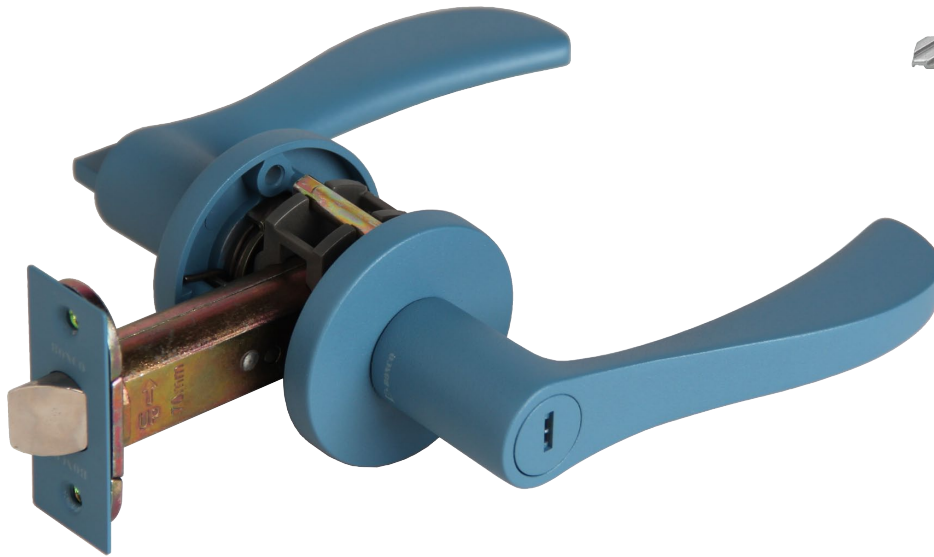
(Passed 200,000 Cycle Test)

KL709-C



Dimensions in millimeters

KL709-C



F106T

KL709-A



F107T

KL709-B



F107T

KL709-D



F107T

KL 710 SERIES

Finishes :

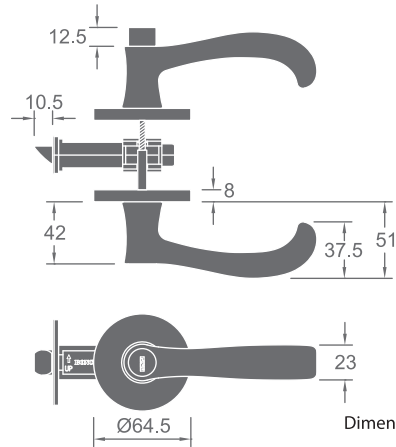
F21, F22, F91~F102,
F91T~F108T

Backset : 60mm, 70mm

Door Thickness :
35~44mm, 45~55mm

(Passed 200,000 Cycle Test)

KL710-B



KL710-B



F91T

KL710-A



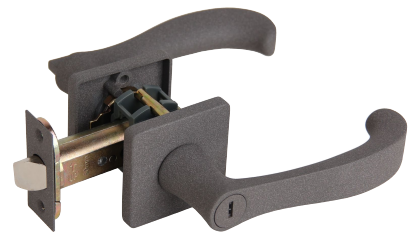
F96T

KL710-C



F96T

KL710-D



F96T

KL 711 SERIES

Finishes :

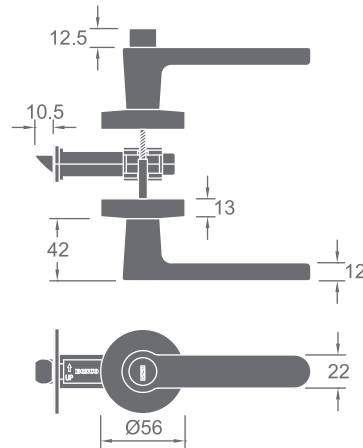
F21, F22, F91~F102,
F91T~F108T

Backset : 60mm, 70mm

Door Thickness :
35~44mm, 45~55mm

(Passed 200,000 Cycle Test)

KL711-A



Dimensions in millimeters

KL711-A



F93T

KL711-B



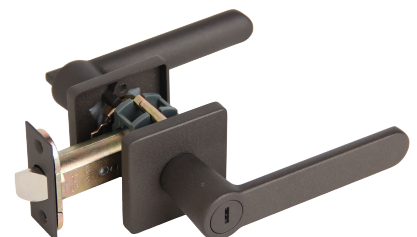
F97T

KL711-C



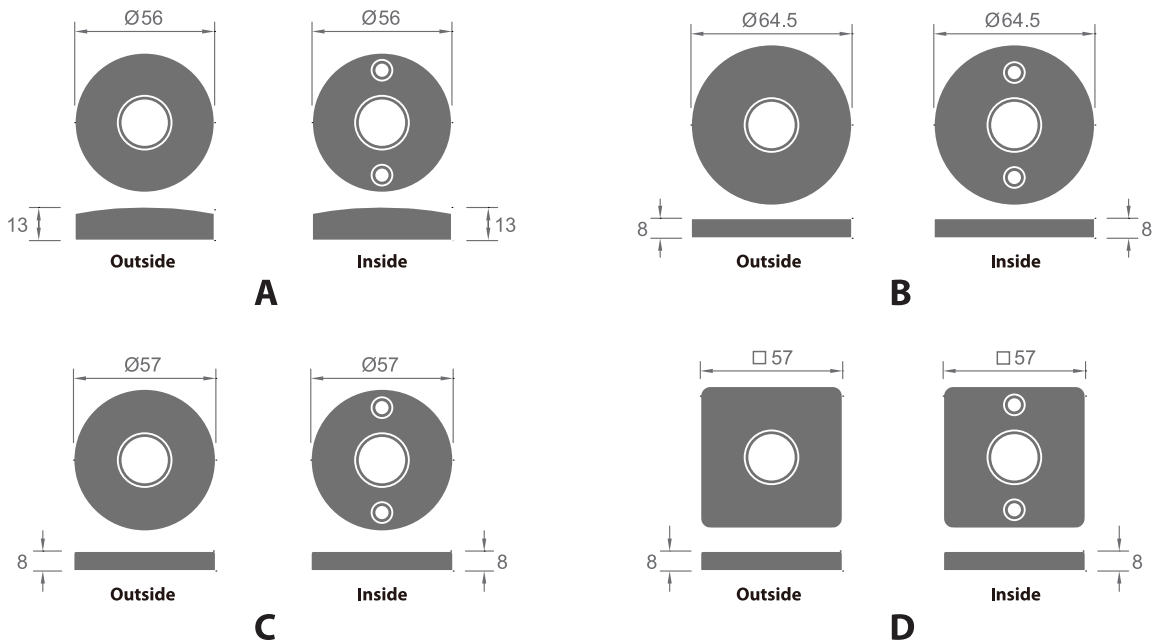
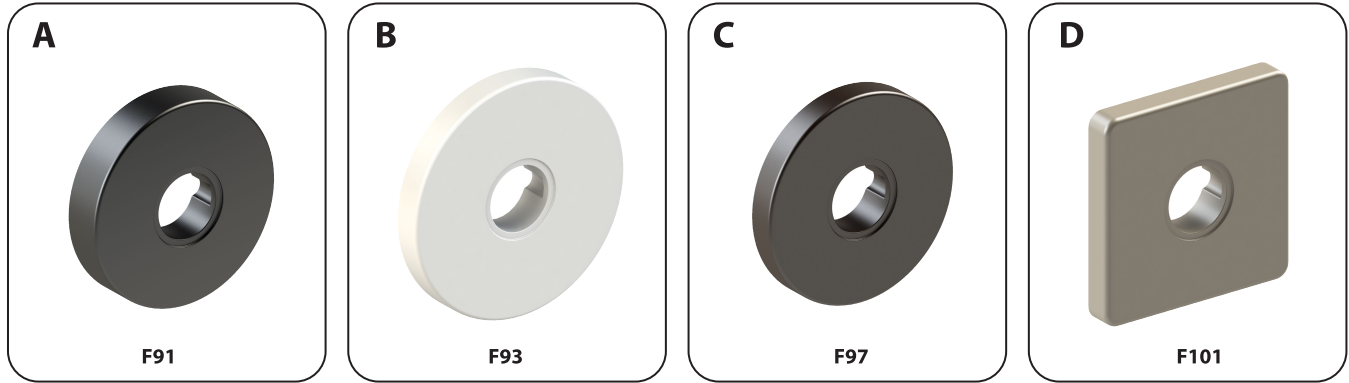
F97T

KL711-D



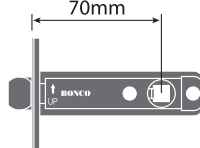


F97T


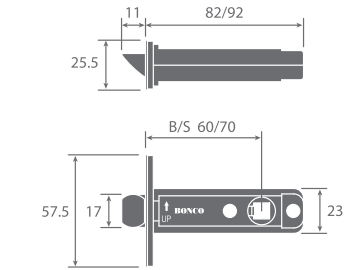
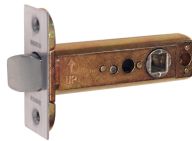
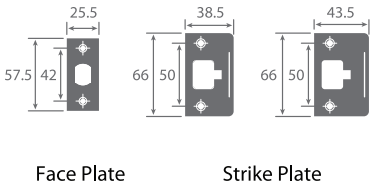
KL Rose











How to Order

EXAMPLE : KL701-A-05-5091EN-70-F22-50DT						
Lever	Rose	Function	Latch	Backset	Finish	Door Thickness
KL701	A	05	5091-EN	70	F22	50DT
		Latch Bolt by key outside or by thumb turn inside. *Select other Function from page LN31	 *Select other kinds of Latch from page LN31		Satin Nickel *Select other Finishes from page LN38-39	50mm

Latch for KL and LC Series

Model	Backset	Material	Photo	Latch Size
5091EN	60 & 70	<p>Latch : Zinc Alloy , Reverdible</p> <p>Face & Strike Plate : Stainless Steel</p>		
5091SSN	60 & 70	<p>Latch : Stainless Steel , Reverdible</p> <p>Face & Strike Plate : Stainless Steel</p>		<p>35~44 D/T OR 45~55 D/T</p>  <p>Face Plate Strike Plate</p>

Function for KL and LC Series

Locations	Function NO.	External Appearances		Operations
		Outside	Inside	
Entrance	05			Latch Bolt by key outside or by thumb turn inside.
Privacy	65			Latch Bolt by thumb turn inside or open by emergency release by coin outside.
Bathroom or Washroom	68			<p>Latchbolt by either lever unless both levers are locked by thumbturn in inside lever. Emergency open by coin or similar tools from outside lever. Occupancy indicator by thumturn.</p> <p>* Available for KL Series only.</p>
Passage	15			Latch Bolt by lever both side . Both levers always free.

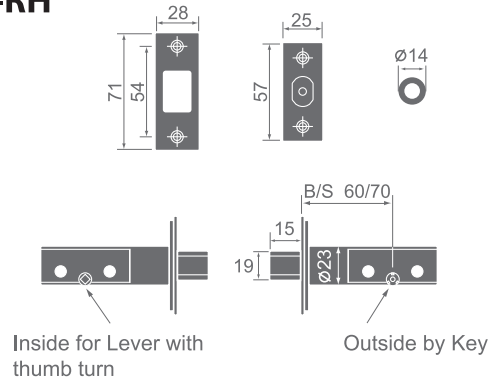
NEW

4624A-RT600

Security Bolt with Lever

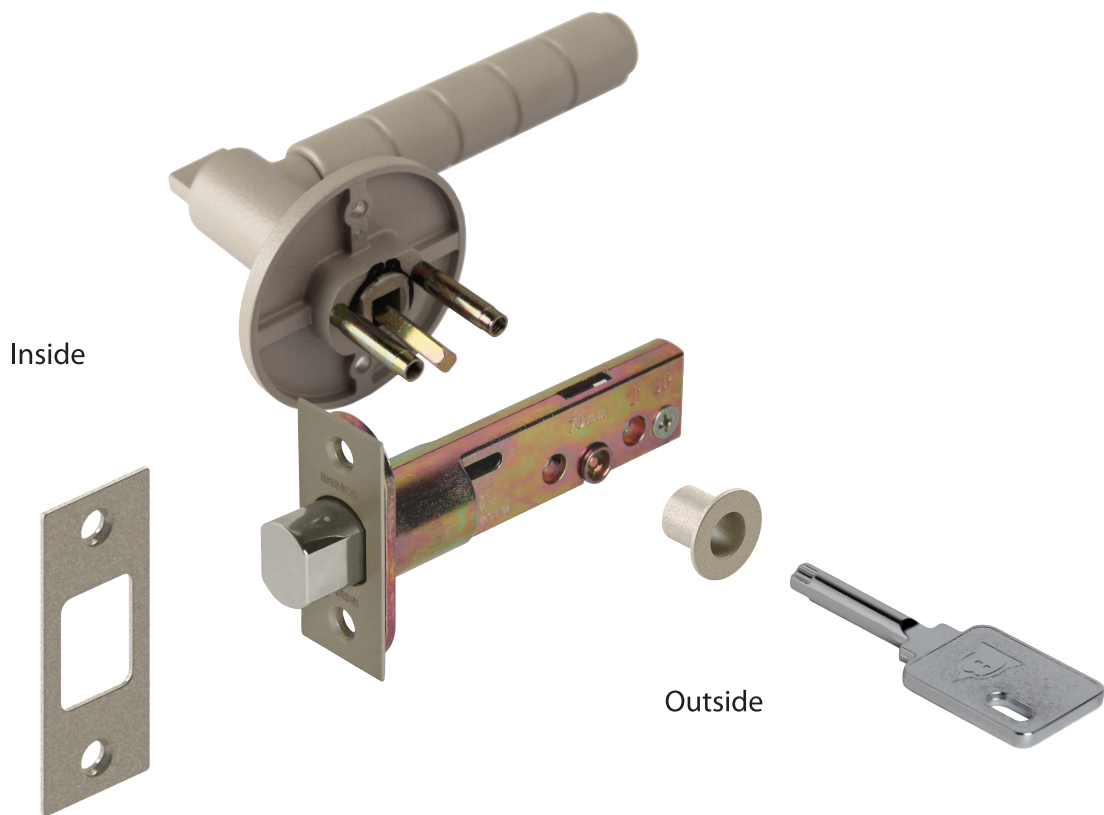
Finishes : F91~F102, F91T~F108T
 Backset : 60mm, 70mm
 Door Hand : LH / RH
 Hub : For 5mm Square Spindle (inside)
 Door Thickness : 40~44mm, 45~55mm
 (Passed 200,000 Cycle Test)

4624A-RH

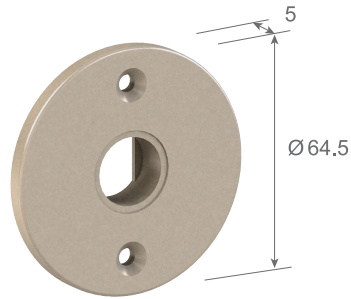


4624A - RT601 - B - 70 - RH - 45DT - F99R

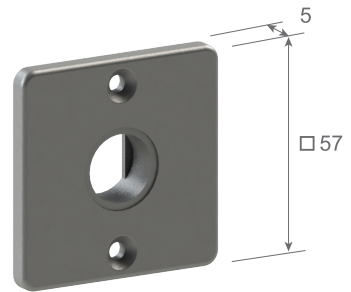
Security bolt with key outside | Lever with thumb turn inside | Rose | Backset | Door Hand | Door Thickness | Finish



Roses



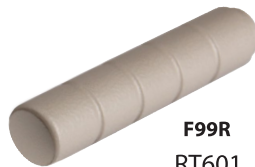
F99R
B



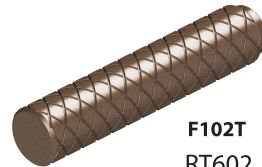
F100
D

Levers

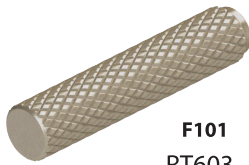
Select size of Levers from RT600 Series



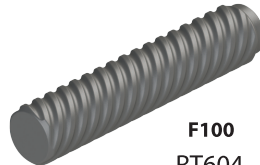
F99R
RT601



F102T
RT602



F101
RT603



F100
RT604



F93T
RT605

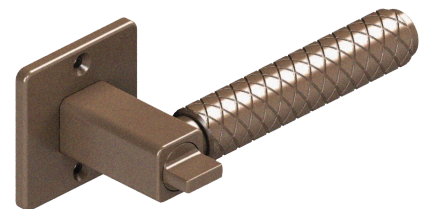
NEW

Rose and Lever

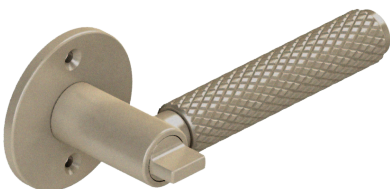
Example for set



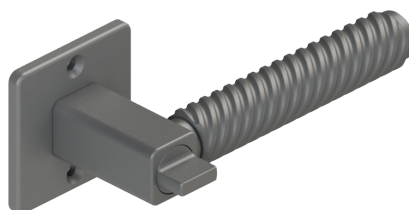
F99R
RT601-B



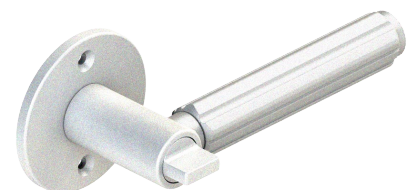
F102T
RT602-D



F101
RT603-B



F100
RT604-D



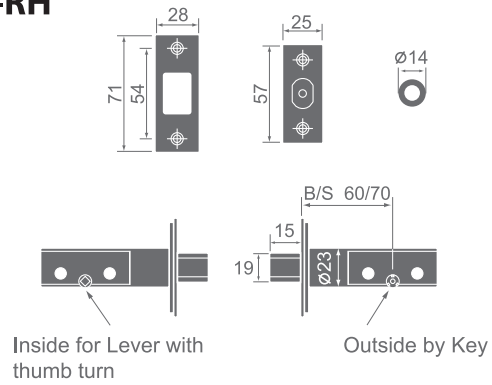
F93T
RT605-B

4624A-LC100

Security Bolt with Lever

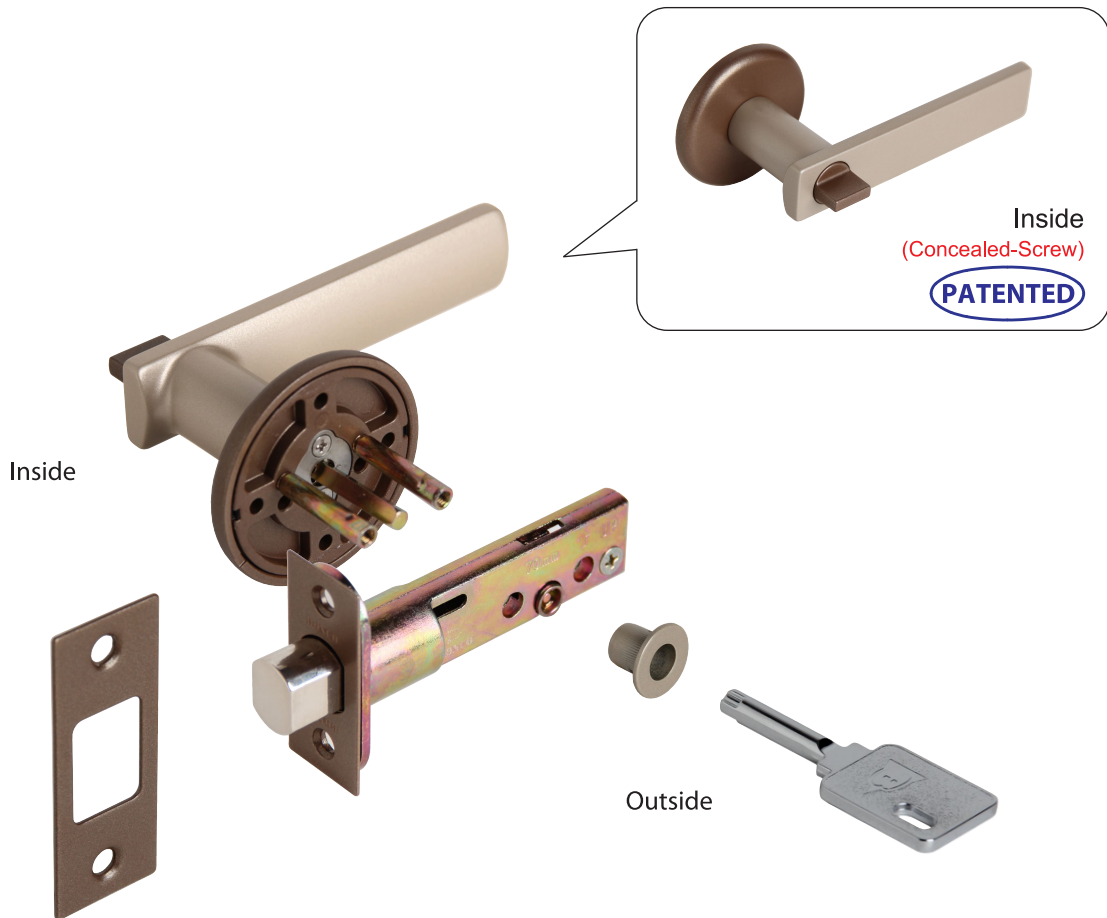
Finishes : F91~F102, F91T~F108T,
C04, C05
Backset : 60mm, 70mm
Door Hand : LH / RH
Hub : For 5mm Square Spindle (inside)
Door Thickness : 35~44mm, 45~55mm
(Passed 200,000 Cycle Test)

4624A-RH

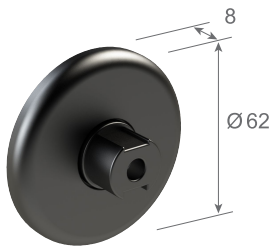


4624A - LC101 - A - 70 - RH - 45DT - C05

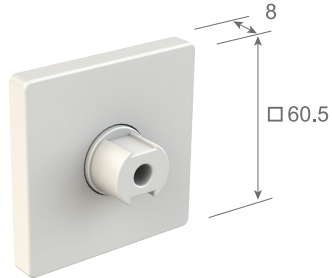
Security bolt with key outside	Lever with thumb turn inside	Rose	Backset	Door Hand	Door Thickness	Finish



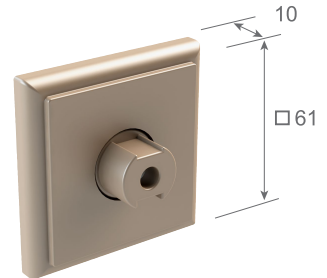
Roses



F91
A



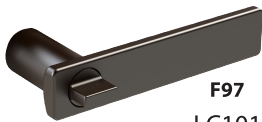
F93
B



F101
C

Levers with thumb turn inside

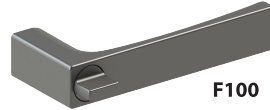
Select size of Levers from LC-100 Series



F97
LC101



F99
LC102



F100
LC103



F100T
LC104



F96T
LC105



F94T
LC106

Rose and Lever

Example for set



F97
LC101-B



F102
LC102-A



C04
LC103-C



F100T
LC104-A



F96T
LC105-A



F94T
LC106-B

4624A-KL700

Security Bolt with Lever

Finishes : F21, F22, F91~F102,
F91T~F108T

Backset : 60mm, 70mm

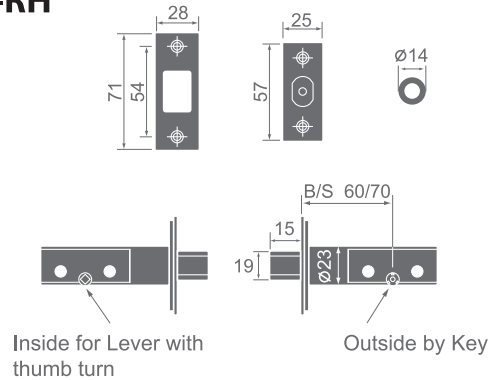
Door Hand : LH / RH

Hub : For 5mm Square Spindle (inside)

Door Thickness : 35~44mm, 45~55mm

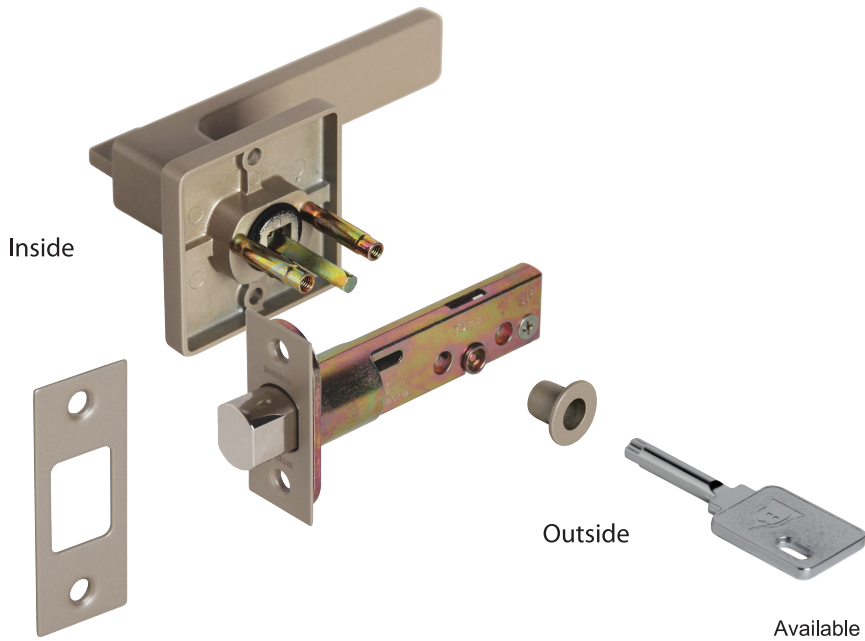
(Passed 200,000 Cycle Test)

4624A-RH



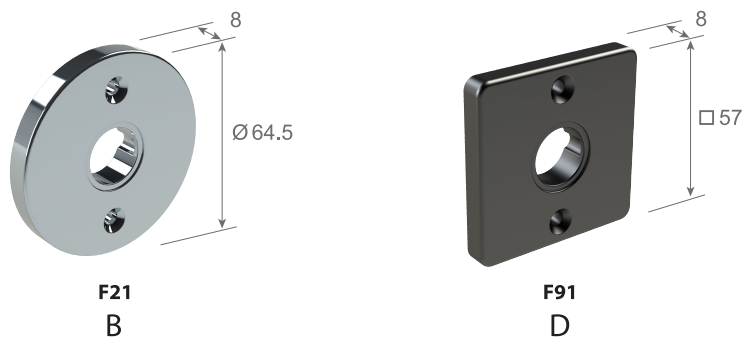
4624A - KL702 - D - 70 - RH - 45DT - F101

- Security bolt with
key outside
- Lever with
thumb turn inside
- Rose
- Backset
- Door Hand
- Door Thickness
- Finish



Available for Rose "B" & "D" only

Roses



Levers with thumb turn inside

Select size of Levers from KL-700 Series



F22
KL701



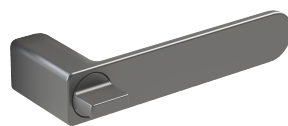
F93
KL702



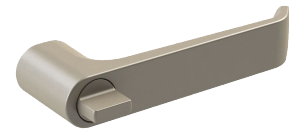
F94T
KL703



F97
KL704



F100
KL705



F101
KL707



F105T
KL708



F106T
KL709



F91T
KL710



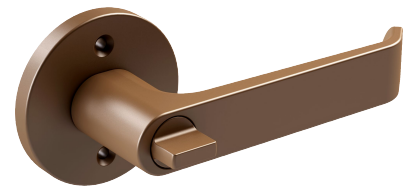
F97T
KL711

Rose and Lever

Example for set



F97
KL704-B



F102
KL707-B



F105T
KL708-D



F106T
KL709-B










F91T
KL710-B

Finishes List

BONCO	Description	BONCO	Description
	F21 Bright chrome		F22 Satin nickel
	F91 Matt black powder coating		F91T Matt black powder coating with rough surface
	F93 Matt white powder coating		F93T Matt white powder coating with rough surface
	F94T Matt light grey powder coating with rough surface		F96T Matt dark grey powder coating with rough surface
	F97 Matt brown powder coating		F97T Matt brown powder coating with rough surface
	F99 Matt champagne silver powder coating		F99R Rough touch champagne silver powder coating
	F100 Matt silver grey powder coating		F100T Matt silver grey powder coating with rough surface

NEW

Finishes List

BONCO	Description	BONCO	Description
	F101 Matt champagne gold powder coating		F102 Matt antique brass gold powder coating
	F102T Matt antique brass gold powder coating with rough surface		F104T Matt light green powder coating with rough surface
	F105T Matt dark green powder coating with rough surface		F106T Matt light blue powder coating with rough surface
	F107T Matt dark blue powder coating with rough surface		F108T Matt rose gold powder coating with rough surface
 + 	C04 Matt champagne silver / Silver grey powder coating	 + 	C05 Matt champagne gold / Antique brass gold powder coating



Name of quality & dependability

www.boncohardware.com

BONCO Ironmongery Ltd.

Member of E. Bon Holdings (HKEx stock code 599)

18/F, First Commercial Building, 33 Leighton Rd., Causeway Bay, H.K.
Tel : (852) 2891 2188 Fax : (852) 2834 2652