

Elegant Touch To Entry



high quality handles locks



49901L	LA4	4934K	LA15
49903L	LA5	4935K	LA16
49905L	LA5	4936K	LA16
4919K	LA6	4955L	LA17
4920K	LA6	4956L	LA17
4921K	LA7	4957L	LA18
4922DTK	LA7	4958L	LA18
4922K	LA7	4959L	LA19
4923DH.....	LA8	4960L	LA19
4923K	LA8	49000 Series Dimensions	LA20
4924DTK	LA9	4900 Series Dimensions	LA21-23
4924K	LA9	Levers / Knobs	LA24-25
4925K	LA10	Dummy Cylinder / Cylinder Collars	LA26
4926DTK	LA10	Turn Pieces Plate / Knobs	LA26-27
4926K	LA11	Turn Pieces Plate / Turn Knobs Dimension	LA28
4927K	LA11	Finish.....	LA29
4928DTK	LA12	Combination	LA30-36
4928K	LA12	Mortise Locks / Rebated Kit	LA37-39
4929K	LA13	Single Side Spindle For Mortise	LA39
4930DTK	LA13	Mortise Locks Function	LA40-41
4930K	LA13	How to Order	LA42
4931K	LA14	Mortise Type of Cylinder	LA43
4932K	LA14	Table of Cylinder Lengths	LA44-46
4933K	LA15		



49000 Series

LA4-5 / 20



4900 Series

LA6-19 / 21- 23



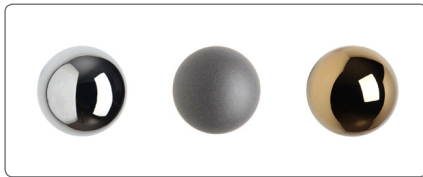
Levers / Knobs

LA24-25



Dummy Cylinder / Cylinder Collars / Turn Pieces Plafe/ Turn Knobs

LA26-28



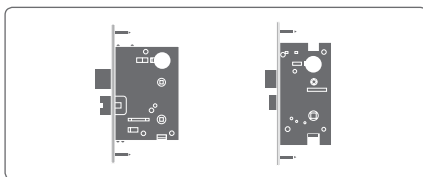
Finish

LA29



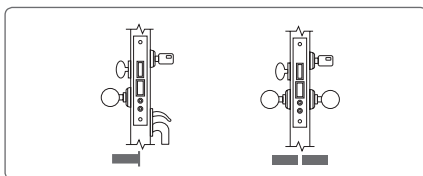
Combination

LA30-36



Mortise Locks/ Rebated Kit/ Spindle

LA37-39



Mortise Locks Function / How to Order

LA40-42

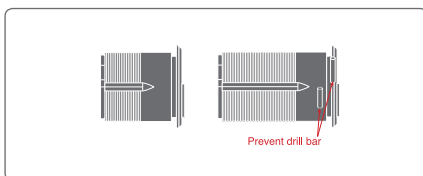


Table of Cylinders lengths

LA43-46

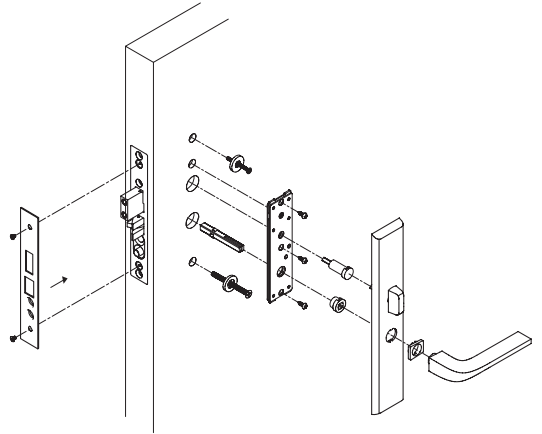
49000 SERIES

Entrance Handle

Fully Concealed
Type Fixing

Innovation Design

The **BONCO** team would like to introduce our patented approach to entrance handles. There are no screws on the surface, making your entrance sleek, clean and luxurious.



49901L

PATENTED

NEW

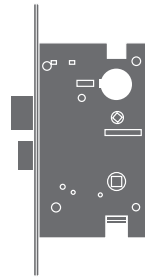
F21



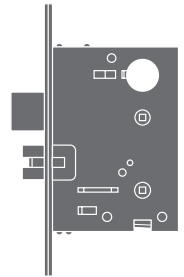
Outside Unit



Inside Unit



EURO Mortise Lock



ANSI Mortise Lock

49903L **PATENTED** **NEW**

F102T



Outside Unit

Inside Unit

49905L **PATENTED** **NEW**

F22



Outside Unit

Inside Unit

4900 SERIES

Entrance Handle

Classic Touch

We are pleased to introduce our classic mortise locks with a full range of exquisite handles to match all locks and brass accessories are manufactured with complete care to quality at every single step. We hope you enjoy browsing through our 4900 Series product line.

4919K

F311



Outside Unit

Inside Unit

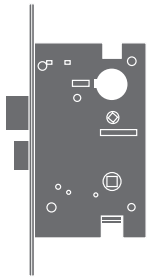
4920K

F21

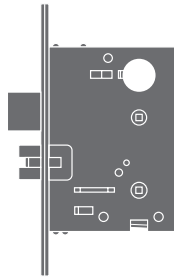


Outside Unit

Inside Unit



EURO Mortise Lock



ANSI Mortise Lock

4922DTK

F21



Outside Unit

Inside Unit

4921K

F16



Outside Unit

Inside Unit

4922K

F32



Outside Unit

Inside Unit

4900 SERIES

Entrance Handle

Finishing

The 4900 series of **BONCO** Entrance Handles are available in different finishes. These finishes were chosen to complement many, if not all, environments in which the piece is fitted.

4923DH

(This model used 4627-A3 mortise only)

PATENTED

F22



Outside Unit

Inside Unit

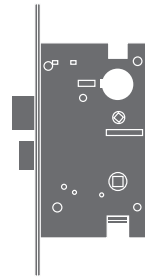
4923K

F302

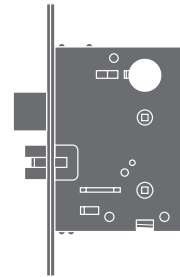


Inside Unit

Outside Unit



EURO Mortise Lock



ANSI Mortise Lock

4924DTK

F24



Outside Unit



Inside Unit

4924K

F16



Outside Unit



Inside Unit

4900 SERIES

Entrance Handle

Tarnish-Free PVD Finish

It is a great obstacle to be free of tarnishing for brass-made hardware. That is why **BONCO** built a private facility to provide the PVD treatment which gives you the trouble-free solution against tarnishing. Enjoy the most durable shine that embellish your doors.

4925K

F22



Outside Unit



Inside Unit

4926DTK

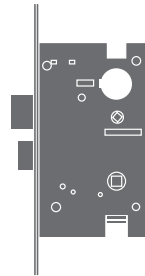
F21



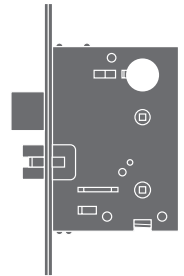
Outside Unit



Inside Unit



EURO Mortise Lock



ANSI Mortise Lock

4926K

F97



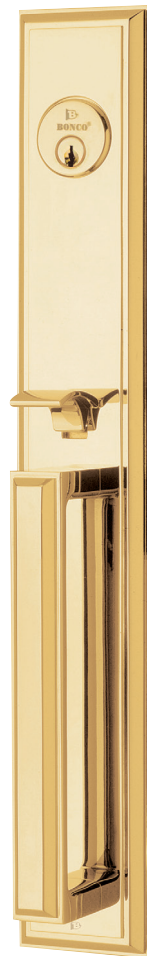
Outside Unit



Inside Unit

4927K

F16



Outside Unit



Inside Unit

4900 SERIES

Entrance Handle

Dependability and security

The simple design and solid functionality provides a premium touch every time you open the door. Simplicity reduces errors. **BONCO** continuously optimizes and simplifies their products to be reliable and dependable. Enjoy the beauty along with the security of **BONCO** products for years to come.

4928DTK

F21



Outside Unit

Inside Unit

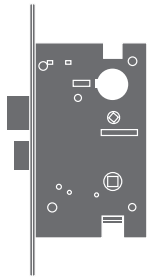
4928K

F16

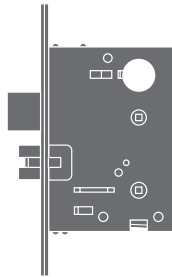


Outside Unit

Inside Unit



EURO Mortise Lock



ANSI Mortise Lock

4930DTK

F31



Outside Unit

Inside Unit

4929K

F97T



Outside Unit

Inside Unit

4930K

F22



Outside Unit

Inside Unit

4900 SERIES

Entrance Handle

Diversity

Our design team synergizes ideas from different parts of the world to create pieces that are aesthetically pleasing to a diverse audience. Whether you seek slim, soft, or bold imageries, you can find a design suitable for your palate. Accent your entryway and give the deepest impression to your guests.

Connect Your Imagination

BONCO cross products contain the same flavor of finishes. This allows the quality entrance handles to match seamlessly with the wide range of **BONCO** products unifying your space.

4931K

F21



Outside Unit



Inside Unit

4932K

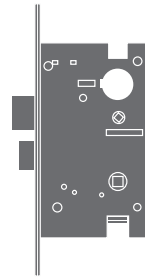
F101



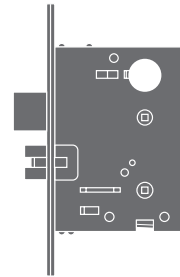
Outside Unit



Inside Unit



EURO Mortise Lock



ANSI Mortise Lock

4933K

F99



Outside Unit



Inside Unit

4934K

F21



Outside Unit



Inside Unit

4900 SERIES

Entrance Handle

Flexibility

The **BONCO** 4900 series are thoughtfully interchangeable for both Euro Mortise and ANSI Mortise, fitting any kind of door set you may desire.

Varieties

The **BONCO** 4900 series have a vast array of combinations to suit your unique style.

4935K

F22



Outside Unit

Inside Unit

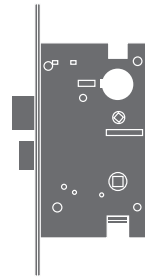
4936K

F307

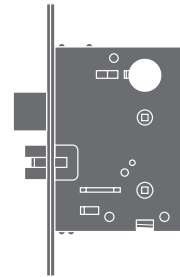


Outside Unit

Inside Unit



EURO Mortise Lock



ANSI Mortise Lock

4955L **NEW**

F305



Outside Unit

Inside Unit

4956L **NEW**

F310



Outside Unit

Inside Unit

4900 SERIES

Entrance Handle

Flexibility

The **BONCO** 4900 series are thoughtfully interchangeable for both Euro Mortise and ANSI Mortise, fitting any kind of door set you may desire.

Varieties

The **BONCO** 4900 series have a vast array of combinations to suit your unique style.

4957L **NEW**

F22



Inside Unit

Outside Unit

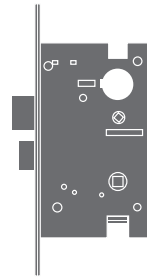
4958L **NEW**

F96

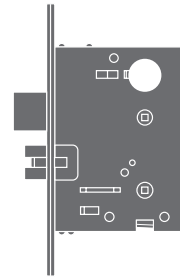


Inside Unit

Outside Unit



EURO Mortise Lock



ANSI Mortise Lock

4959L **NEW**

F91



Outside Unit



Inside Unit

4960L **NEW**

F308



Outside Unit



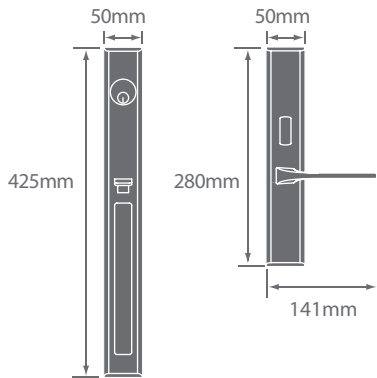
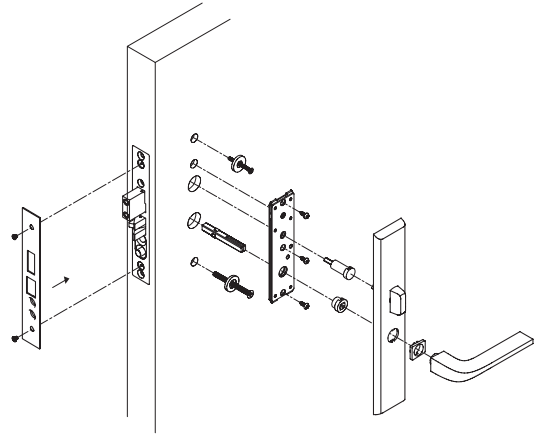
Inside Unit

49000 SERIES

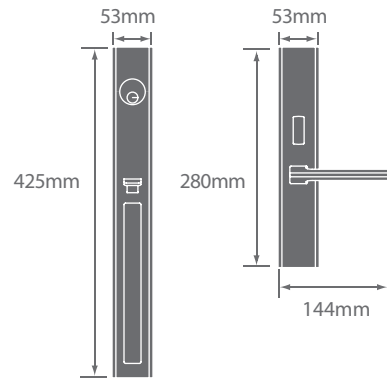
Dimensions
in millimeters

Innovation Design

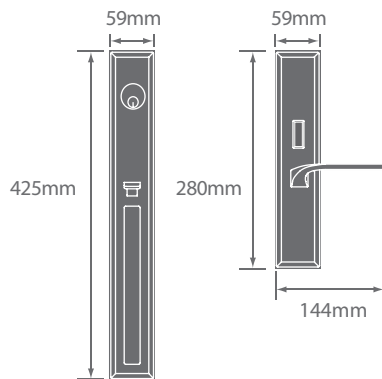
The **BONCO** team would like to introduce our patented approach to entrance handles. There are no screws on the surface, making your entrance sleek, clean and luxurious.



49901L



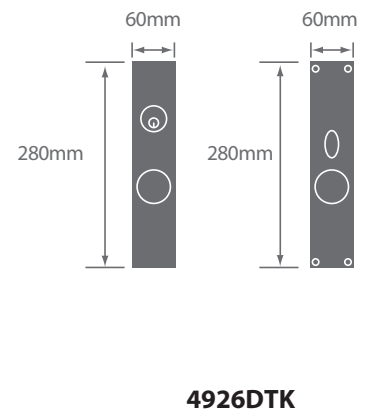
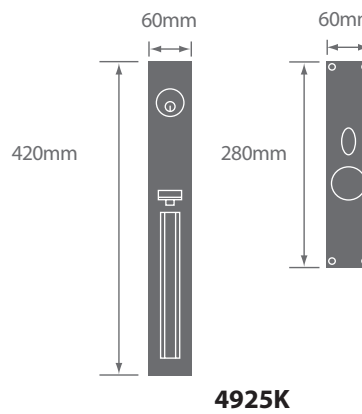
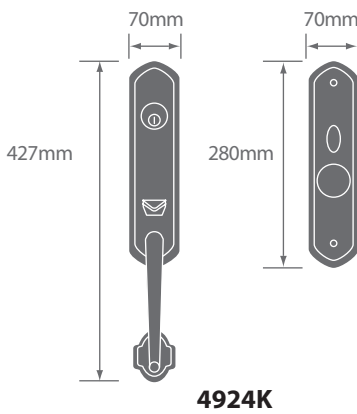
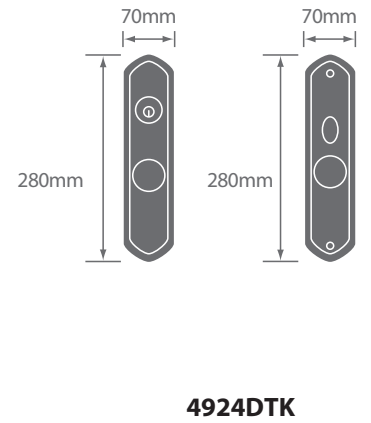
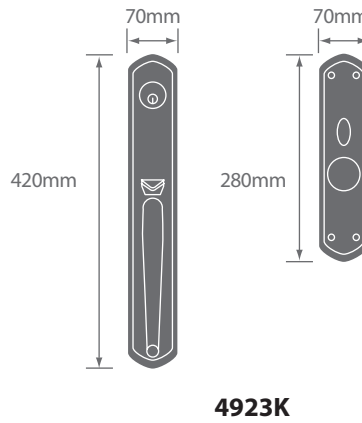
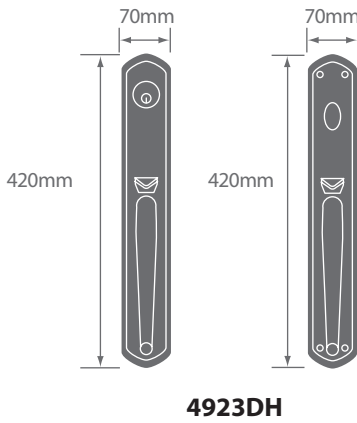
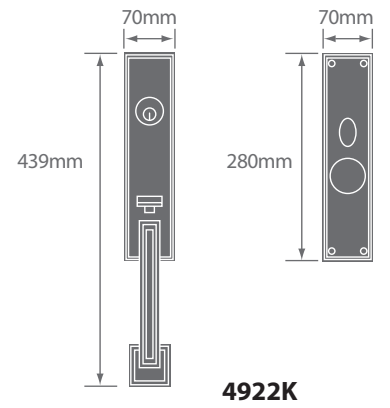
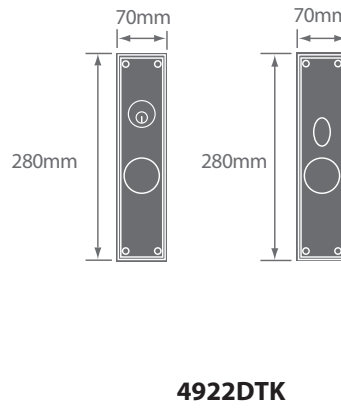
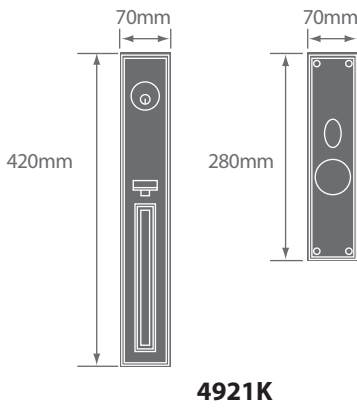
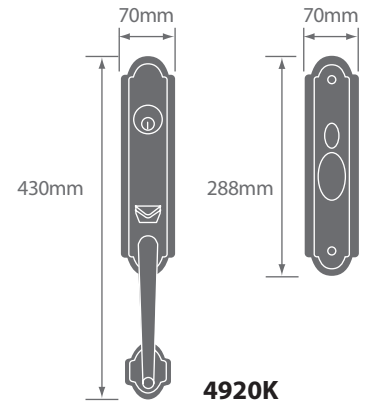
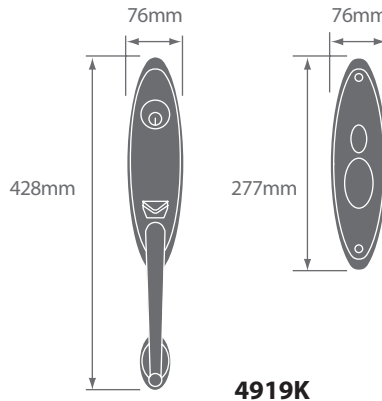
49903L



49905L

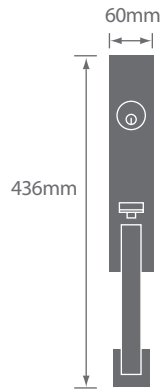
4900 SERIES

Dimensions
in millimeters

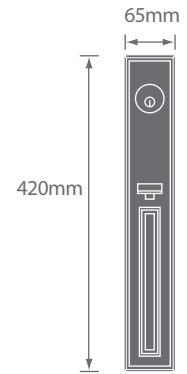


4900 SERIES

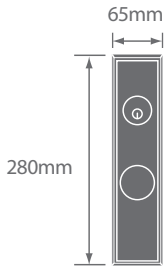
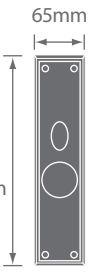
Dimensions
in millimeters



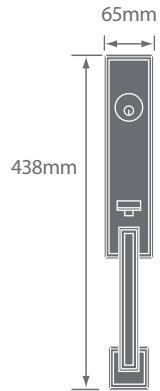
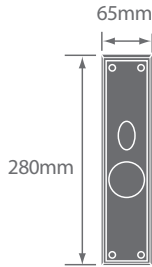
4926K



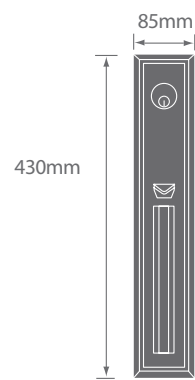
4927K



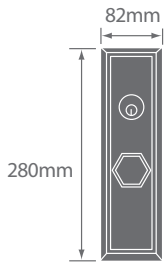
4928DTK



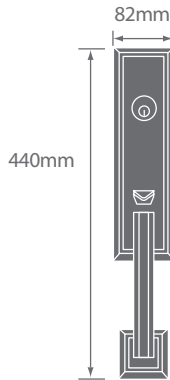
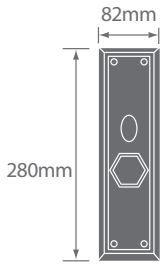
4928K



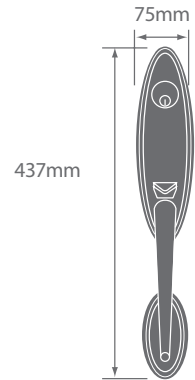
4929K



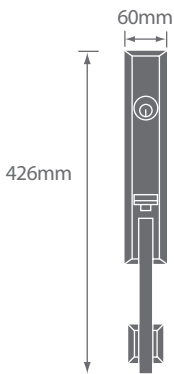
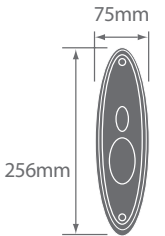
4930DTK



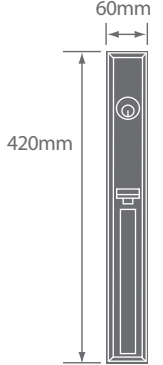
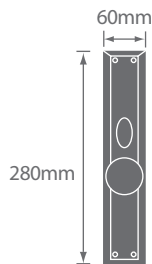
4930K



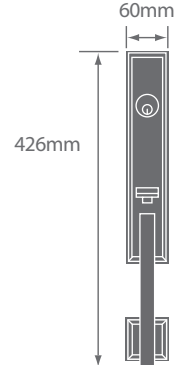
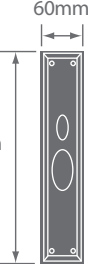
4931K



4932K

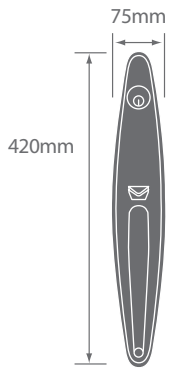


4933K

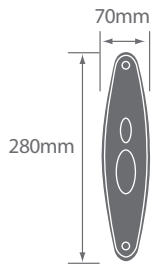


4934K

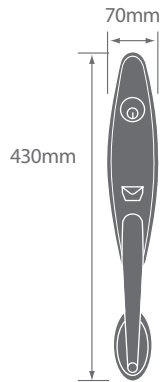




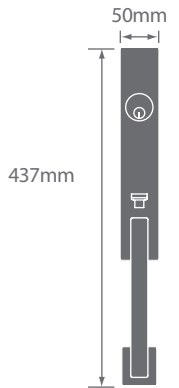
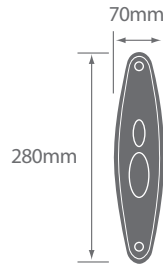
4935K



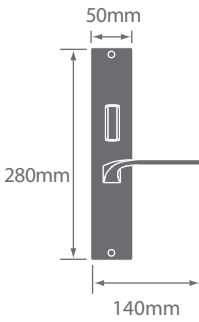
4936K



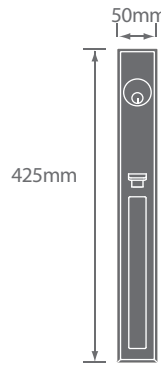
4955L



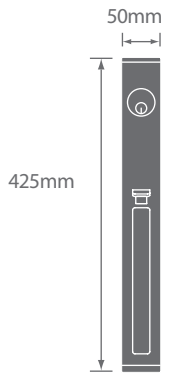
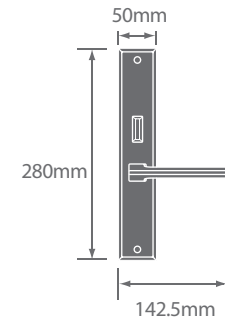
4956L



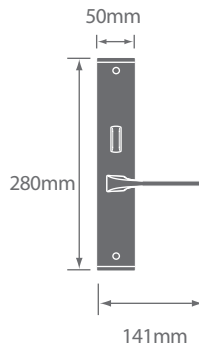
4957L



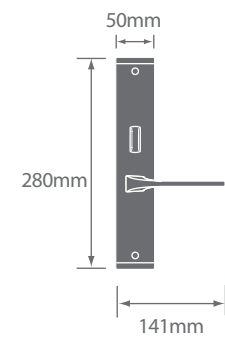
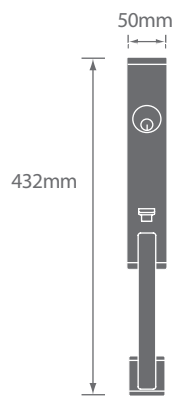
4958L



4959L



4960L



Levers/Knobs

The following array of levers and knobs are interchangeable for all the trim designs.

SB201



SB202



SB203



SB204



SB205



SB206



SB207



SB208



SB209



SB210



SB211



SB212



SB213



SB214



SB215



SB216



SB217



SB219



SB220



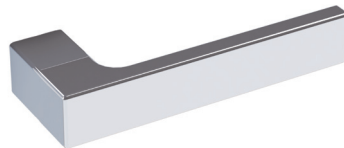
SB221



SB222



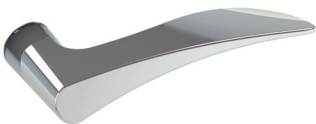
SB223



SB225



SB226



SBK801



SBK802



SBK803



SBK804



SBK805



SBK806



Dummy Cylinder / Cylinder Collars

4681

Dummy Cylinder with fixing back plate & screws



4682A / 4682B / 4682C

Cylinder Collars

Supplied with adjustable spring



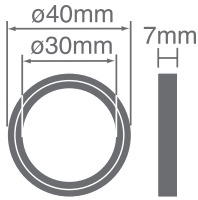
4682-A



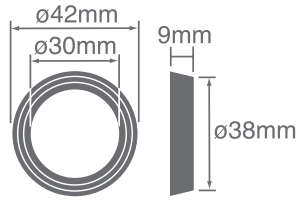
4682-B



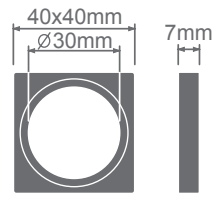
4682-C



4682-A



4682-B



4682-C

Turn Pieces Plate/ Knobs

4680-A



4680-B



4680-C



4680-D



4680-E



4680-G



Turn Pieces

Plates and knobs

Sample
Combinations



4680-1A



4680-4D



4680-5C



4680-6E



4680-7G

4680-1



4680-2



4680-3



4680-4



4680-5



4680-6



4680-7



4680-8



4680-9

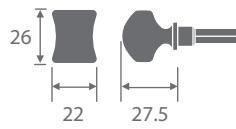


4680-10

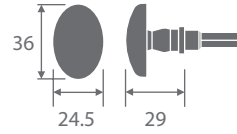


Turn Knobs

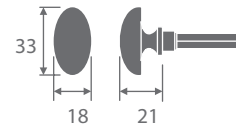
Dimensions
in millimeters



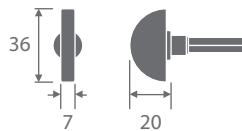
4680-1



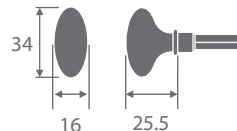
4680-2



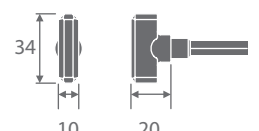
4680-3



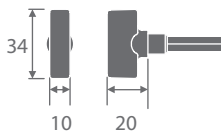
4680-4



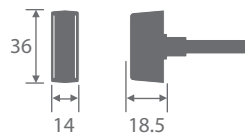
4680-5



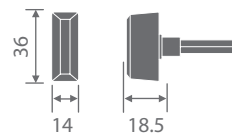
4680-6



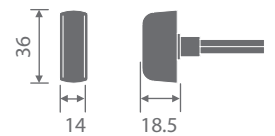
4680-7



4680-8



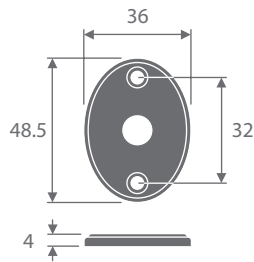
4680-9



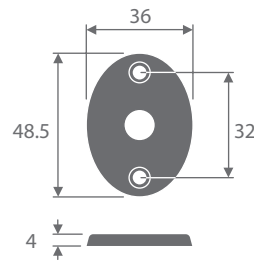
4680-10

Turn Piece Plates

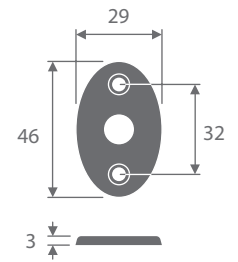
Dimensions
in millimeters



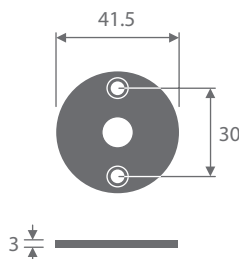
4680-A



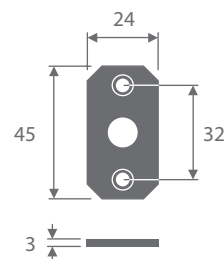
4680-B



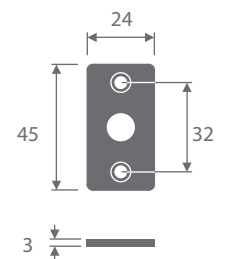
4680-C



4680-D







4680-E














4680-G

Electroplate Finishes List

BONCO	Description	BONCO	Description
	F21 Bright chrome		F22 Satin nickel
	F31 Antique brass		F32 Antique copper

BPC Finishes List

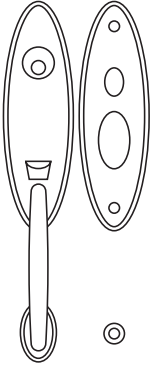
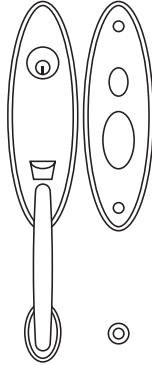
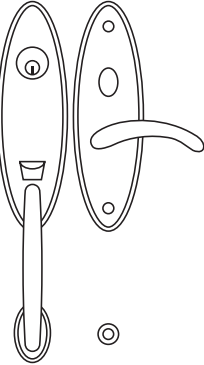
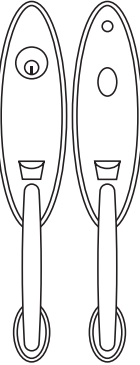
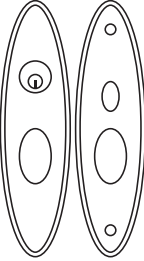
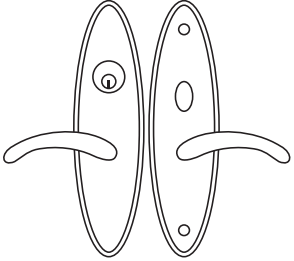
BONCO	Description	BONCO	Description
	F91 Matt black powder coating		F91T Matt black powder coating with rough surface
	F93 Matt white powder coating		F93T Matt white powder coating with rough surface
	F94T Matt light grey powder coating with rough surface		F96T Matt dark grey powder coating with rough surface
	F97 Matt brown powder coating		F97T Matt brown powder coating with rough surface

BONCO	Description	BONCO	Description
	F99 Matt champagne silver powder coating		F100 Matt silver grey powder coating
	F100T Matt silver grey powder coating with rough surface		F101 Matt champagne gold powder coating
	F102 Matt antique brass gold powder coating		F102T Matt antique brass gold powder coating with rough surface
	F104T Matt light green powder coating with rough surface		F105T Matt dark green powder coating with rough surface
	F106T Matt light blue powder coating with rough surface		F107T Matt dark blue powder coating with rough surface

PVD Finishes List

BONCO	Description	BONCO	Description
	F16 Polished brass		F17 Brushed brass
	F301 Polished bronze		F302 Brushed bronze
	F303 Brushed chrome		F304 Red gold
	F305 Brushed red gold		F306 Polished black chrome
	F307 Brushed black chrome		F308 Steel optic
	F310 Polished nickel		F311 Gold optic
	F316 Brushed nickel		


Combination

K Dummy	K	L	DH	DTK	DTL
					


- K Dummy** Entrance Handle with Dummy Cylinder & Knob
- K** Entrance Handle with Knob inside
- L** Entrance Handle with Lever inside
- DH** Double Entrance Handles
- DTK** Double Knobs with escutcheons
- DTL** Double Levers with escutcheons

4919


4919K Dummy




4919K




4919L




4919DH



4919DTK



4919DTL



K Dummy (Knob) : Select knobs from page LA25

K (Knob) : Select knobs from page LA25


L (Lever) : Select levers from page LA24~25

DTK (Knob) : Select knobs from page LA25


DTL (Lever) : Select levers from page LA24~25

4920


4920K Dummy




4920K




4920L




4920DH



4920DTK



4920DTL



K Dummy (Knob) : Select knobs from page LA25

K (Knob) : Select knobs from page LA25

L (Lever) : Select levers from page LA24~25

DTK (Knob) : Select knobs from page LA25

DTL (Lever) : Select levers from page LA24~25

Combination

4921

4921K Dummy



4921K



4921L



4921DH



K Dummy (Knob) : Select knobs from page LA25
K (Knob) : Select knobs from page LA25
L (Lever) : Select levers from page LA24~25

4922

4922K Dummy



4922K



4922L



4922DH



4922DTK



4922DTL



K Dummy (Knob) : Select knobs from page LA25
K (Knob) : Select knobs from page LA25
L (Lever) : Select levers from page LA24~25
DTK (Knob) : Select knobs from page LA25
DTL (Lever) : Select levers from page LA24~25

4923

4923K Dummy



4923K



4923L



4923DH



K Dummy (Knob) : Select knobs from page LA25
K (Knob) : Select knobs from page LA25
L (Lever) : Select levers from page LA24~25

4924

4924K Dummy



4924K



4924L



4924DH



4924DTK



4924DTL



K Dummy (Knob) : Select knobs from page LA25
K (Knob) : Select knobs from page LA25
L (Lever) : Select levers from page LA24~25
DTK (Knob) : Select knobs from page LA25
DTL (Lever) : Select levers from page LA24~25

Combination

4925

4925K Dummy



4925K



4925L



4925DH



K Dummy (Knob) : Select knobs from page LA25
K (Knob) : Select knobs from page LA25
L (Lever) : Select levers from page LA24~25

4926

4926K Dummy



4926K



4926L



4926DH



4926DTK



4926DTL



K Dummy (Knob) : Select knobs from page LA25
K (Knob) : Select knobs from page LA25
L (Lever) : Select levers from page LA24~25
DTK (Knob) : Select knobs from page LA25
DTL (Lever) : Select levers from page LA24~25

4927

4927K Dummy



4927K



4927L



4927DH



K Dummy (Knob) : Select knobs from page LA25
K (Knob) : Select knobs from page LA25
L (Lever) : Select levers from page LA24~25

4928

4928K Dummy



4928K



4928L



4928DH



4928DTK



4928DTL



K Dummy (Knob) : Select knobs from page LA25
K (Knob) : Select knobs from page LA25
L (Lever) : Select levers from page LA24~25
DTK (Knob) : Select knobs from page LA25
DTL (Lever) : Select levers from page LA24~25

4929

4929K Dummy 4929K 4929L 4929DH

K Dummy (Knob) : Select knobs from page LA25
K (Knob) : Select knobs from page LA25
L (Lever) : Select levers from page LA24~25

4930

4930K Dummy 4930K 4930L 4930DH 4930DTK 4930DTL

K Dummy (Knob) : Select knobs from page LA25
K (Knob) : Select knobs from page LA25
L (Lever) : Select levers from page LA24~25
DTK (Knob) : Select knobs from page LA25
DTL (Lever) : Select levers from page LA24~25

4931

4931K Dummy 4931K 4931L 4931DH 4931DTK 4931DTL

K Dummy (Knob) : Select knobs from page LA25
K (Knob) : Select knobs from page LA25
L (Lever) : Select levers from page LA24~25
DTK (Knob) : Select knobs from page LA25
DTL (Lever) : Select levers from page LA24~25

4932

4932K Dummy 4932K 4932L 4932DTK 4932DTL

K Dummy (Knob) : Select knobs from page LA25
K (Knob) : Select knobs from page LA25
L (Lever) : Select levers from page LA24~25
DTK (Knob) : Select knobs from page LA25
DTL (Lever) : Select levers from page LA24~25

Combination

4933

4933K Dummy



4933K



4933L



K Dummy (Knob) : Select knobs from page LA25
K (Knob) : Select knobs from page LA25
L (Lever) : Select levers from page LA24~25

4934

4934K Dummy



4934K



4934L



4934DTK



4934DTL



K Dummy (Knob) : Select knobs from page LA25
K (Knob) : Select knobs from page LA25
L (Lever) : Select levers from page LA24~25
DTK (Knob) : Select knobs from page LA25
DTL (Lever) : Select levers from page LA24~25

4935

4935K Dummy



4935K



4935L



4935DH



K Dummy (Knob) : Select knobs from page LA25
K (Knob) : Select knobs from page LA25
L (Lever) : Select levers from page LA24~25

4936

4936K Dummy



4936K



4936DH



4936L



4936DTK



4936DTL



K Dummy (Knob) : Select knobs from page LA25
K (Knob) : Select knobs from page LA25
L (Lever) : Select levers from page LA24~25
DTK (Knob) : Select knobs from page LA25
DTL (Lever) : Select levers from page LA24~25

4955
NEW

4955L Dummy **4955L** **4955DH**

L (Lever) : Select levers from page LA24~25

4956
NEW

4956L Dummy **4956L** **4956DH** **4956DTL**

L (Lever) : Select levers from page LA24~25
DTL (Lever) : Select levers from page LA24~25

4957
NEW

4957L Dummy **4957L** **4957DH**

L (Lever) : Select levers from page LA24~25

4958
NEW

4958L Dummy **4958L** **4958DH** **4958DTL**

L (Lever) : Select levers from page LA24~25
DTL (Lever) : Select levers from page LA24~25

Combination

4959L Dummy **4959L** **4959DH**



4959
NEW

L (Lever) : Select levers from page LA24~25

4960L Dummy **4960L** **4960DH** **4960DTL**



4960
NEW

L (Lever) : Select levers from page LA24~25
DTL (Lever) : Select levers from page LA24~25

49901L Dummy **49901L**



49901
NEW

L (Lever) : Select levers from page LA24~25


49903L Dummy **49903L**



49903
NEW

L (Lever) : Select levers from page LA24~25

49905L Dummy **49905L**

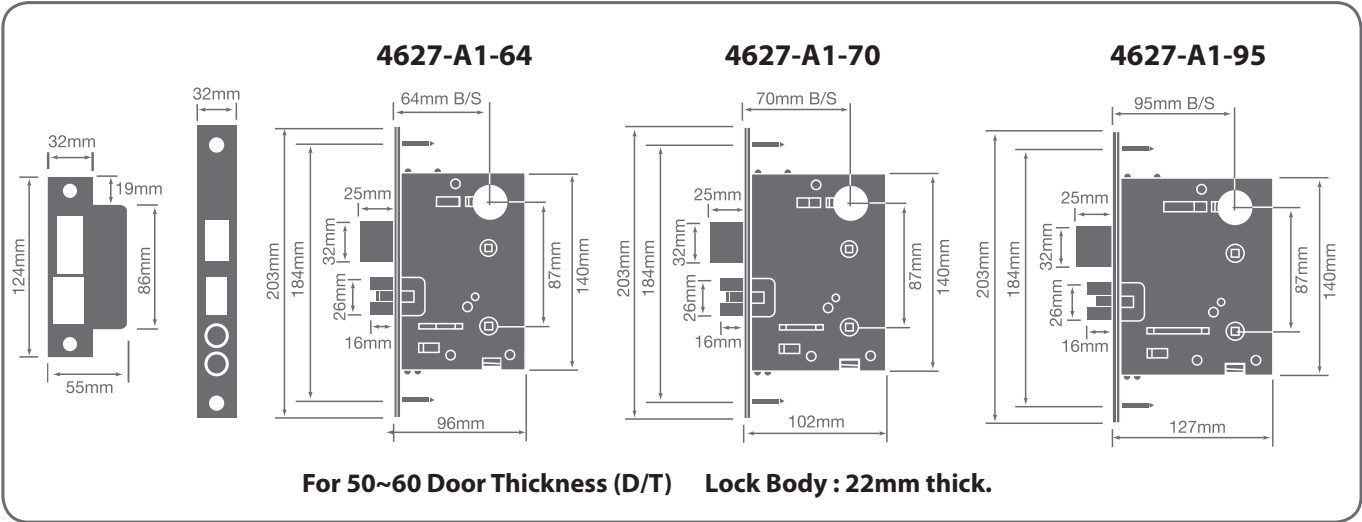


49905
NEW

L (Lever) : Select levers from page LA24~25

4627 ANSI Mortise Lock

BONCO classic mortise locks have been trustee conform to all performance standards for generations. The combination of a **BONCO** mortise lock, with a **BONCO** Entrance Handle brings beauty and security to your doors. Depending on the size of the trims and doors, you can choose from a 64mm, 70mm or 95mm backset.

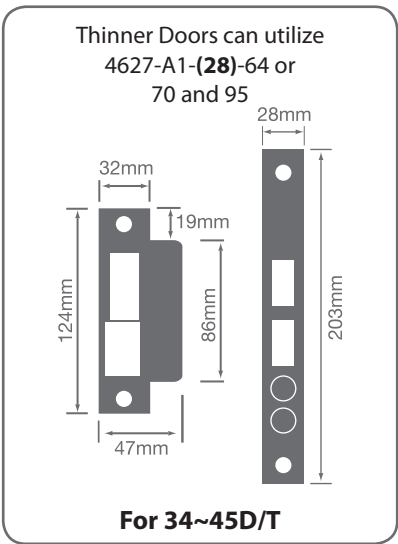


Rebated Kit - RK Series

Model	Photo	Use for	Example
RK-06		For 4627, 4627S, 4628, 4629 & 4630 Series (ANSI Mortise Lock)	
	<p style="text-align: center;">Dimension in mm</p>		

Model	Photo	Use for	Example
RK-24		For narrow strike plate version of 4627, 4627S Series (ANSI Mortise Lock with 28mm narrow strike plate)	
	<p style="text-align: center;">Dimension in mm</p>		

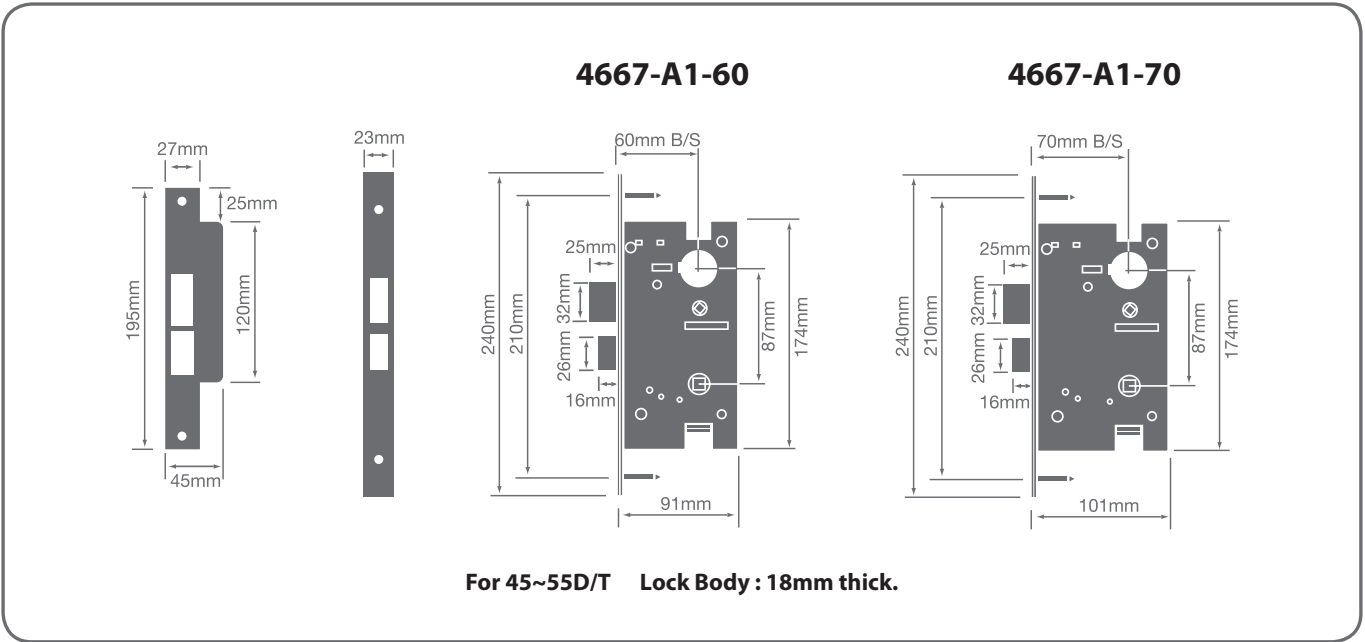
Narrow strike plates and armored fronts are also available for thinner door



- 25mm throw solid brass dead bolt
- Saw-proof hardened steel pins in the dead bolt
- Anti-Friction latch bolt
- Anti-Panic release function (inside knob or lever can retract both dead bolt & latch bolt simultaneously)
- Split hubs are for Knob & Lever use
- 2.5mm Thick Strike Plate
- Backset : 64mm, 70mm, 95mm
- High grade steel security strike is supplied for all keyed lock functions in addition to regular strike
- Passed 500,000 cycle test

4667 EURO Mortise Lock

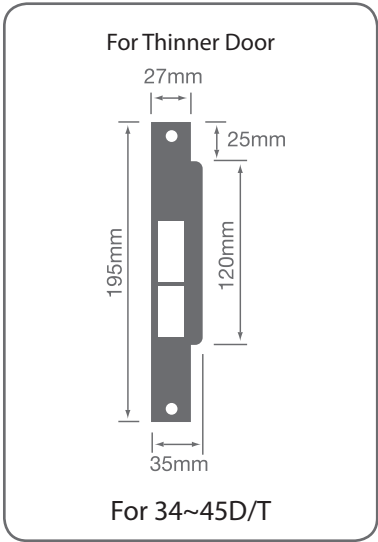
BONCO classic mortise locks have been trustee to conform to all performance standards for generations. The combination of a **BONCO** mortise lock, with a **BONCO** Entrance Handle brings beauty and security to your doors. Depending on the size of the trims and doors, you can choose from a 60mm or 70mm backset.



Rebated Kit - RK Series

Narrow strike plates are also available for thinner door

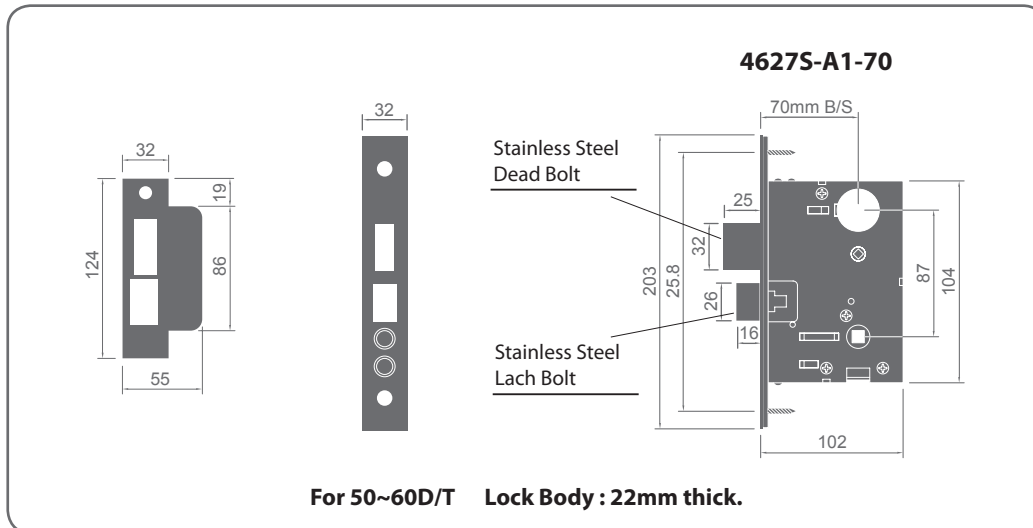
Model	Photo	Use for	Example
RK-13		For 4626, 4626NS, 4650, 4653 & 4667 Series (EURO Mortise Lock)	
	Dimension in mm		



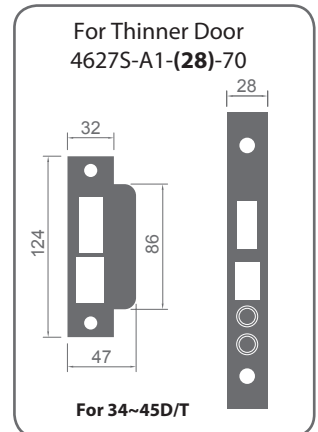
- 25mm throw solid brass dead bolt
- Saw-proof hardened steel pins in the dead bolt
- Anti-Panic release function (inside knob or lever can retract both dead bolt & latch bolt simultaneously)
- Split hubs are available for Knob & Lever use
- 3mm Thick Strike Plate
- Backset : 60mm, 70mm
- Passed 200,000 cycle test

4627S ANSI Mortise Lock For Stainless Steel Dead Bolt & Latch

BONCO classic mortise locks have been trustee to conform to all performance standards for generations. The combination of a **BONCO** mortise lock, with a **BONCO** Entrance Handle brings beauty and security to your doors. The mortise lock of stainless steel dead bolt & latch is for 70mm backset only.



Narrow strike plates and armored fronts are also available for thinner door



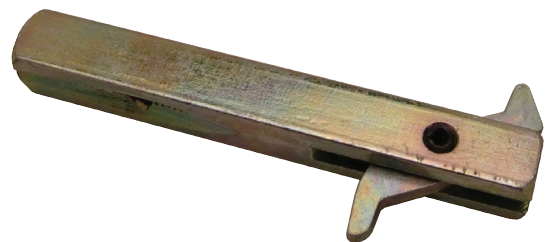
- 25mm throw stainless steel dead bolt
- Stainless steel latch bolt
- Anti-Panic release function (inside knob or lever can retract both dead bolt & latch bolt simultaneously)
- Split hubs are available for Knob & Lever use
- 2.5mm Thick Strike Plate
- Backset : only 70mm
- High grade steel security strike is supplied for all keyed lock functions in addition to regular strike
- Passed 500,000 cycle test

Single Side Spindle For Mortise

AM - 60 / 65 / 70 / 90

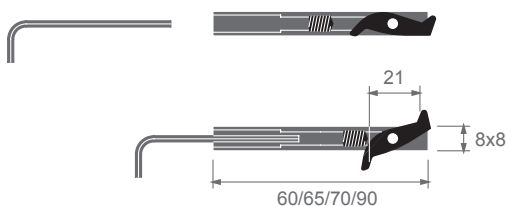
AL - 65 / 70 / 80

Latch bolt by knob (or lever) from single side.



AM - 60 / 65 / 70 / 90

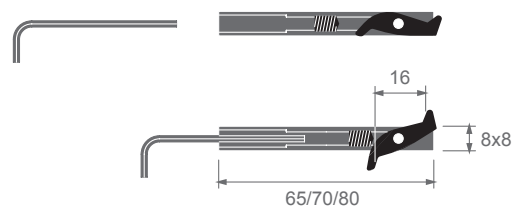
Dimensions in mm



AM Spindle is for ANSI Mortise Lock :
4627 & 4627S Series

AL - 65 / 70 / 80

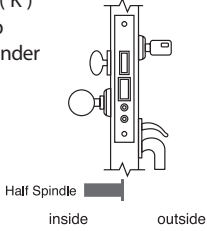
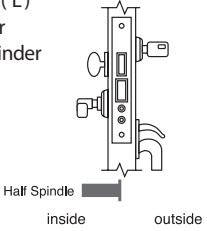
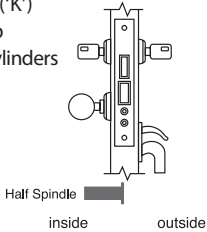
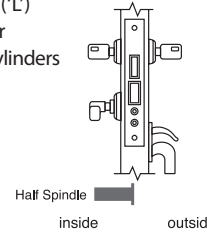
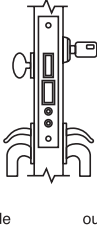
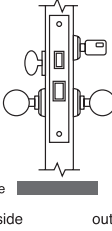
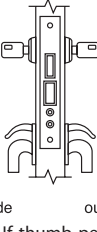
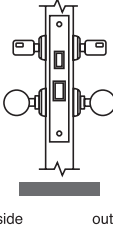
Dimensions in mm



AL Spindle is for EURO Mortise Lock :
4626 , 4626NS, 4650, 4653 & 4667 Series

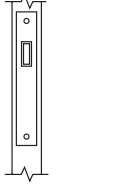
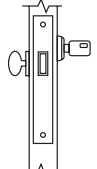
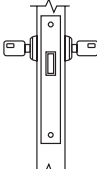
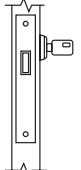
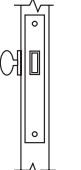
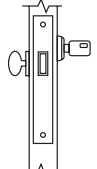
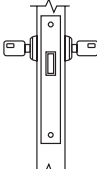
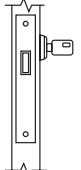
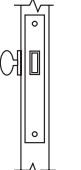
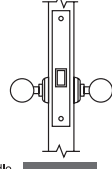
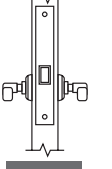
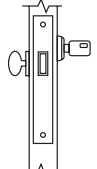
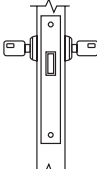
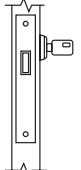
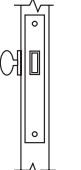
ANSI Mortise Lock

Cylinders, Turn-pieces, Knobs, Levers, Handles are depicted for demonstration

<p>4627-A1 Entrance ('K') With Knob Single Cylinder</p>  <p style="text-align: center;">Half Spindle inside outside</p> <p>Latch bolt by thumb-piece outside and knob (or lever) inside. If thumb-piece outside is locked by stopper button or projecting dead bolt, latch bolt by key outside and knob (or lever) inside. Dead bolt by key outside or turn-piece inside. Turning inside knob (or lever) retracts latch bolt and dead bolt simultaneously; leaving outside thumb-piece locked.</p>	<p>4627-B1 Entrance ('L') With Lever Single Cylinder</p>  <p style="text-align: center;">Half Spindle inside outside</p> <p>Latch bolt by knob (or lever) from either side. If outside knob(or lever) is locked by stopper button or projecting dead bolt, latch bolt by key outside or knob (or lever) inside. Dead bolt by key outside or turn-piece inside. Turning inside knob (or lever) retracts latch bolt and dead bolt simultaneously. leaving outside knob (or lever) locked.</p>
<p>4627-A2 Entrance ('K') With Knob Double Cylinders</p>  <p style="text-align: center;">Half Spindle inside outside</p> <p>Latch bolt by thumb-piece outside and knob (or lever) inside. If thumb-piece outside is locked by stopper button or projecting dead bolt, latch bolt by key on either side and knob (or lever) inside. Dead bolt by key from either side. Turning inside knob (or lever) retracts latch bolt only; leaving outside thumb-piece locked.</p>	<p>4627-B2 Entrance ('L') With Lever Double Cylinders</p>  <p style="text-align: center;">Half Spindle inside outside</p> <p>Latch bolt by knob (or lever) from either side. If outside knob (or lever) is locked by stopper button or projecting dead bolt, latch bolt and dead bolt by key from either side. Turning inside knob (or lever) retracts latch bolt only; leaving outside knob (or lever) locked.</p>
<p>4627-A3 PATENTED Entrance ('DH') With Double Handles Single Cylinder</p>  <p style="text-align: center;">inside outside</p> <p>Latch bolt by thumb-piece from either side. If thumb-piece outside is locked by stopper button or projecting dead bolt, latch bolt by key outside or thumb-piece inside. Dead bolt by key outside or turn-piece inside. Thumb-piece inside retracts latch bolt and dead bolt simultaneously; leaving outside thumb-piece locked.</p>	<p>4629-A1 Single Cylinder, with Knobs</p>  <p style="text-align: center;">Solid Spindle inside outside</p> <p>Latch bolt by knob (or lever) from either side. Dead bolt by key from outside or by turn-piece from inside. Retract latch bolt by key from outside.</p>
<p>4627-A4 Entrance ('DH') With Double Handles Double Cylinders</p>  <p style="text-align: center;">inside outside</p> <p>Latch bolt by thumb-piece from either side. If thumb-piece outside is locked by stopper button or projecting dead bolt, latch bolt by key either side or thumb-piece inside. Dead bolt by key from either side. Thumb-piece inside retracts latch bolt only; leaving outside thumb-piece locked.</p>	<p>4629-A2 Double Cylinder, with Knobs</p>  <p style="text-align: center;">Solid Spindle inside outside</p> <p>Latch bolt by knob (or lever) from either side. Dead bolt by key from either side. Retract latch bolt by key.</p>

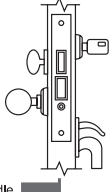
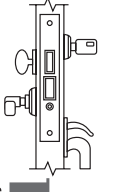
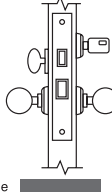
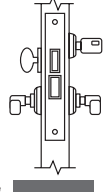
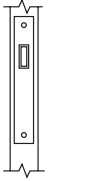
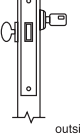
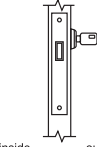
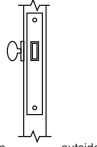
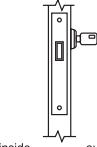
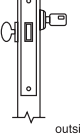
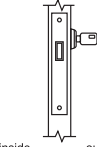
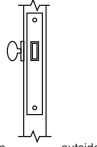
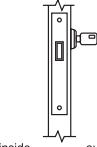
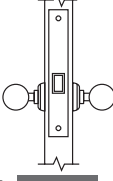
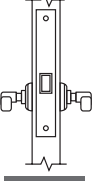
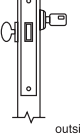
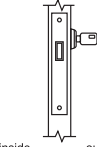
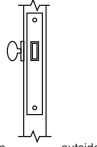
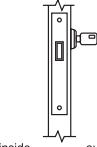
ANSI Mortise Lock

Cylinders, Turn-pieces, Knobs, Levers, Handles are depicted for demonstration


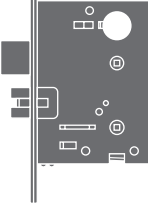
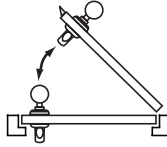
<p>4630-A1 Deadlock</p>  <p style="text-align: center;">inside outside</p> <p>Four (4) major usages are available in conjunction with cylinder or turn-piece.</p> <p>(see illustrations ---->)</p>	<p style="text-align: center;">Possible function for 4630-A1 Deadlock</p> <table style="width: 100%; text-align: center;"> <tr> <td style="width: 50%;">Turn piece / Single Cylinder</td> <td style="width: 50%;">Double Cylinders</td> </tr> <tr> <td></td> <td></td> </tr> <tr> <td style="width: 50%;">Single Cylinder only</td> <td style="width: 50%;">Turn-piece only</td> </tr> <tr> <td></td> <td></td> </tr> </table>	Turn piece / Single Cylinder	Double Cylinders			Single Cylinder only	Turn-piece only			<p>4631-A1 Passage for Knobs</p>  <p style="text-align: center;">Solid Spindle inside outside</p>	<p>4631-B1 Passage for Levers</p>  <p style="text-align: center;">Solid Spindle inside outside</p>
Turn piece / Single Cylinder	Double Cylinders										
											
Single Cylinder only	Turn-piece only										
											
<p>Latch bolt by knob (or lever) from either side.</p>											

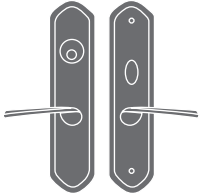
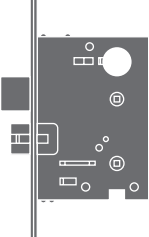
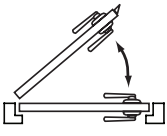
EURO Mortise Lock

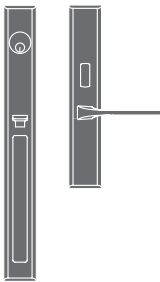
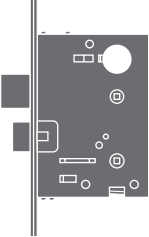
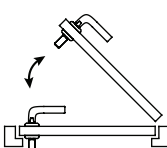
Cylinders, Turn-pieces, Knobs, Levers, Handles are depicted for demonstration

<p>4667-A1 Entrance ('K') With Knob Single Cylinder</p>  <p style="text-align: center;">Half Spindle inside outside</p>	<p>4667-B1 Entrance ('L') With Lever Single Cylinder</p>  <p style="text-align: center;">Half Spindle inside outside</p>	<p>4669-A1 Single Cylinder, with Knobs</p>  <p style="text-align: center;">Solid Spindle inside outside</p>	<p>4669-B1 Single Cylinder, with Levers</p>  <p style="text-align: center;">Solid Spindle inside outside</p>								
<p>Latch bolt by thumb-piece outside and knob (or lever) inside. If projecting dead bolt, latch bolt by key outside and knob (or lever) inside. Dead bolt by key outside or turn-piece inside. Turning inside knob (or lever) retracts latch bolt and dead bolt simultaneously.</p>											
<p>4670-A1 Deadlock</p>  <p style="text-align: center;">inside outside</p> <p>Three (3) major usages are available in conjunction with cylinder or turn-piece.</p> <p>(see illustrations ---->)</p>	<p style="text-align: center;">Possible function for 4670-A1 Deadlock</p> <table style="width: 100%; text-align: center;"> <tr> <td style="width: 50%;">Turn piece / Single Cylinder</td> <td style="width: 50%;">Single Cylinder only</td> </tr> <tr> <td></td> <td></td> </tr> <tr> <td style="width: 50%;">Turn-piece only</td> <td style="width: 50%;">Single Cylinder only</td> </tr> <tr> <td></td> <td></td> </tr> </table>	Turn piece / Single Cylinder	Single Cylinder only			Turn-piece only	Single Cylinder only			<p>4671-A1 Passage for Knobs</p>  <p style="text-align: center;">Solid Spindle inside outside</p>	<p>4671-B1 Passage for Levers</p>  <p style="text-align: center;">Solid Spindle inside outside</p>
Turn piece / Single Cylinder	Single Cylinder only										
											
Turn-piece only	Single Cylinder only										
											
<p>Latch bolt by knob (or lever) from either side.</p>											

How to Order

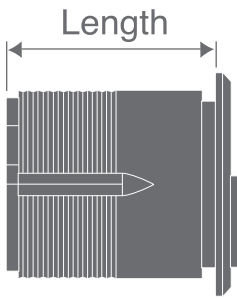
EXAMPLE (1) : 4924K-SK-4627-A1-F16-70-RH-50DT (13 PIN THREE WAY KEY CYLINDER)						
Handle Design	Cylinder	Mortise Lock	Finish	Backset	Door Hand	Door Thickness
4924K	SK	4627-A1	F16	70	RH	50
	13 Pin Three Way Key Cylinder (With 5 Keys)		PVD Finish	70mm	Inside  Outside	50mm

EXAMPLE (2) : 4924DTL-SB206 -4628-B1-(28)-F21-70-LH-40DT (REGULAR 5-PIN CYLINDER)						
Handle Design	Cylinder	Mortise Lock	Finish	Backset	Door Hand	Door Thickness
4924DTL-SB206	-	4628-B1-(28)	F21	70	LH	40
	Regular 5 Pin Cylinder (With 3 Keys)		Bright Chrome	70mm	Inside  Outside	40mm

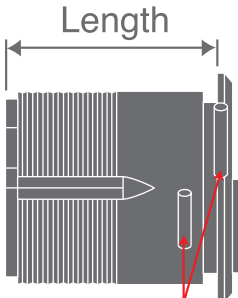
EXAMPLE (3) : 49001L-6P-4627S-A1-F21-RH-50DT (6-PIN CYLINDER)						
Handle Design	Cylinder	Mortise Lock	Finish	Backset	Door Hand	Door Thickness
49001L	6P	4627S-A1	F21	70	RH	50
	6 Pin Cylinder		Bright Chrome	70mm	Inside  Outside	50mm

Mortise Type Cylinders (Regular 5-Pin)
Mortise Type NS Cylinders (Regular 5-Pin)
Mortise Type 6P Cylinders (Regular 6-Pin)
Mortise Type SK Cylinders (Three Way 13-Pin)

Regular Cylinders

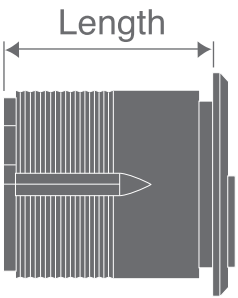


Regular **NS** Cylinders



Prevent drill bar

Regular **SK** Cylinders



No.	Length	No.	Length	No.	Length
CYL-D01-03	32mm	CYL-D01-07	40mm	CYL-D01-11	48mm
CYL-D01-04	34mm	CYL-D01-08	42mm	CYL-D01-12	50mm
CYL-D01-05	36mm	CYL-D01-09	44mm	CYL-D01-13	52mm
CYL-D01-06	38mm	CYL-D01-10	46mm	CYL-D01-14	54mm

Example
Mortise Type Cylinders

CYL-D01
regular 5-pin key
cylinder

CYL-**NS**D01
regular 5-pin key with
prevent drill bar cylinder

CYL-**6**PD01
regular 6-pin key
cylinder

NEW

CYL-**SK**D01
13-pin three way key
cylinder

NEW

Table of Single Cylinders

For 4627~4630 ANSI Mortise Lock

Door Thickness Lock Model	Cylinder L-Size	32mm	34mm	36mm	38mm	40mm	42mm	44mm	46mm	48mm	50mm
		(CYL-D01-03)	(CYL-D01-04)	(CYL-D01-05)	(CYL-D01-06)	(CYL-D01-07)	(CYL-D01-08)	(CYL-D01-09)	(CYL-D01-10)	(CYL-D01-11)	(CYL-D01-12)
4919		37~51mm	41~55mm	45~59mm	49~63mm	53~67mm	57~71mm				
4920		31~45mm	35~49mm	39~53mm	43~57mm	47~61mm	51~65mm	55~69mm	59~73mm		
4921		31~45mm	35~49mm	39~53mm	43~57mm	47~61mm	51~65mm	55~69mm	59~73mm		
4922		31~45mm	35~49mm	39~53mm	43~57mm	47~61mm	51~65mm	55~69mm	59~73mm		
4923		31~45mm	35~49mm	39~53mm	43~57mm	47~61mm	51~65mm	55~69mm	59~73mm		
4924		31~45mm	35~49mm	39~53mm	43~57mm	47~61mm	51~65mm	55~69mm	59~73mm		
4925		38~52mm	42~56mm	46~60mm	50~64mm	54~68mm	58~72mm				
4926		38~52mm	42~56mm	46~60mm	50~64mm	54~68mm	58~72mm				
4927		31~45mm	35~49mm	39~53mm	43~57mm	47~61mm	51~65mm	55~69mm	59~73mm		
4928		31~45mm	35~49mm	39~53mm	43~57mm	47~61mm	51~65mm	55~69mm	59~73mm		
4929					29~43mm	33~47mm	37~51mm	41~55mm	45~59mm	49~63mm	53~67mm
4930					29~43mm	33~47mm	37~51mm	41~55mm	45~59mm	49~63mm	53~67mm
4931		27~41mm	31~45mm	35~49mm	39~53mm	43~57mm	47~61mm	51~65mm	55~69mm	59~73mm	
4932		35~49mm	39~53mm	43~57mm	47~61mm	51~65mm	55~69mm	59~73mm			
4933		33~47mm	37~51mm	41~55mm	45~59mm	49~63mm	53~67mm	57~71mm			
4934		33~47mm	37~51mm	41~55mm	45~59mm	49~63mm	53~67mm	57~71mm			
4935		35~49mm	39~53mm	43~57mm	47~61mm	51~65mm	55~69mm	59~73mm			
4936		35~49mm	39~53mm	43~57mm	47~61mm	51~65mm	55~69mm	59~73mm			
4955		45~59mm	49~63mm	53~67mm	57~71mm						
4956		45~59mm	49~63mm	53~67mm	57~71mm						
4957		38~52mm	42~56mm	46~60mm	50~64mm	54~68mm	58~72mm				
4958		38~52mm	42~56mm	46~60mm	50~64mm	54~68mm	58~72mm				
4959		38~52mm	42~56mm	46~60mm	50~64mm	54~68mm	58~72mm				
4960		38~52mm	42~56mm	46~60mm	50~64mm	54~68mm	58~72mm				
49901		33~47mm	37~51mm	41~55mm	45~59mm	49~63mm	53~67mm	57~71mm			
49903		33~47mm	37~51mm	41~55mm	45~59mm	49~63mm	53~67mm	57~71mm			
49905		33~47mm	37~51mm	41~55mm	45~59mm	49~63mm	53~67mm	57~71mm			

Table of Double Cylinders

For 4627~4630 ANSI Mortise Lock

Door Thickness Lock Model	Cylinder L-Size	32mm x2nos	34mm x2nos	36mm x2nos	38mm x2nos	40mm x2nos	42mm x2nos	44mm x2nos	46mm x2nos		
		(CYL-D01-03)	(CYL-D01-04)	(CYL-D01-05)	(CYL-D01-06)	(CYL-D01-07)	(CYL-D01-08)	(CYL-D01-09)	(CYL-D01-10)		
4919		48~52mm	52~56mm	56~60mm							
4920		42~46mm	46~50mm	50~54mm	54~58mm	58~62mm					
4921		42~46mm	46~50mm	50~54mm	54~58mm	58~62mm					
4922		42~46mm	46~50mm	50~54mm	54~58mm	58~62mm					
4923		42~46mm	46~50mm	50~54mm	54~58mm	58~62mm					
4924		42~46mm	46~50mm	50~54mm	54~58mm	58~62mm					
4925		49~53mm	53~57mm	57~61mm							
4926		49~53mm	53~57mm	57~61mm							
4927		42~46mm	46~50mm	50~54mm	54~58mm	58~62mm					
4928		42~46mm	46~50mm	50~54mm	54~58mm	58~62mm	48~52mm	52~56mm	56~60mm		
4929				36~40mm	40~44mm	44~48mm	48~52mm	52~56mm	56~60mm		
4930				36~40mm	40~44mm	44~48mm	58~62mm				
4931		38~42mm	42~46mm	46~50mm	50~54mm	54~58mm					
4932		46~50mm	50~54mm	54~58mm	58~62mm						
4933		40~44mm	44~48mm	48~52mm	52~56mm	56~60mm					
4934		40~44mm	44~48mm	48~52mm	52~56mm	56~60mm	58~62mm				
4935		38~42mm	42~46mm	46~50mm	50~54mm	54~58mm	58~62mm				
4936		38~42mm	42~46mm	46~50mm	50~54mm	54~58mm	56~60mm				
4955		52~56mm	56~60mm								
4956		52~56mm	56~60mm								
4957		49~53mm	53~57mm	57~61mm							
4958		49~53mm	53~57mm	57~61mm							
4959		49~53mm	53~57mm	57~61mm							
4960		49~53mm	53~57mm	57~61mm							

Table of Single Cylinders

For 4667~4670 EURO Mortise Lock

Door Thickness Lock Model	Cylinder L-Size									
	32mm (CYL-D01-03)	34mm (CYL-D01-04)	36mm (CYL-D01-05)	38mm (CYL-D01-06)	40mm (CYL-D01-07)	42mm (CYL-D01-08)	44mm (CYL-D01-09)	46mm (CYL-D01-10)	48mm (CYL-D01-11)	50mm (CYL-D01-12)
4919	40~48mm	44~52mm	48~56mm	52~60mm	56~64mm					
4920	34~42mm	38~46mm	42~50mm	46~54mm	50~58mm	54~62mm				
4921	34~42mm	38~46mm	42~50mm	46~54mm	50~58mm	54~62mm				
4922	34~42mm	38~46mm	42~50mm	46~54mm	50~58mm	54~62mm				
4923	34~42mm	38~46mm	42~50mm	46~54mm	50~58mm	54~62mm				
4924	34~42mm	38~46mm	42~50mm	46~54mm	50~58mm	54~62mm				
4925	41~49mm	45~53mm	49~57mm	53~61mm						
4926	41~49mm	45~53mm	49~57mm	53~61mm						
4927	34~42mm	38~46mm	42~50mm	46~54mm	50~58mm	54~62mm				
4928	34~42mm	38~46mm	42~50mm	46~54mm	50~58mm	54~62mm				
4929			28~36mm	32~40mm	36~44mm	40~48mm	44~52mm	48~56mm	52~60mm	56~64mm
4930			28~36mm	32~40mm	36~44mm	40~48mm	44~52mm	48~56mm	52~60mm	56~64mm
4931	30~38mm	34~42mm	38~46mm	42~50mm	46~54mm	50~58mm	54~62mm			
4932	38~46mm	42~50mm	46~54mm	50~58mm	54~62mm					
4933	36~44mm	40~48mm	44~52mm	48~56mm	52~60mm	56~64mm				
4934	36~44mm	40~48mm	44~52mm	48~56mm	52~60mm	56~64mm				
4935	38~46mm	42~50mm	46~54mm	50~58mm	54~62mm					
4936	38~46mm	42~50mm	46~54mm	50~58mm	54~62mm					
4955	48~56mm	52~60mm	56~64mm	60~68mm						
4956	48~56mm	52~60mm	56~64mm	60~68mm						
4957	41~49mm	45~53mm	49~57mm	53~61mm	57~65mm	61~69mm				
4958	41~49mm	45~53mm	49~57mm	53~61mm	57~65mm	61~69mm				
4959	41~49mm	45~53mm	49~57mm	53~61mm	57~65mm	61~69mm				
4960	41~49mm	45~53mm	49~57mm	53~61mm	57~65mm	61~69mm				
49901	36~44mm	40~48mm	44~52mm	48~56mm	52~60mm	56~64mm	60~68mm			
49903	36~44mm	40~48mm	44~52mm	48~56mm	52~60mm	56~64mm	60~68mm			
49905	36~44mm	40~48mm	44~52mm	48~56mm	52~60mm	56~64mm	60~68mm			

* For other door thickness, please send enquires to us.



British Standards

BS EN ISO
9227:2006
鹽霧測試



British Standards

BS EN ISO
4892-2:2006
紫外光抵抗測試



BS.476.Part 22 :1987

防火試驗



BS EN 1634-1:2014

防火



GB-12955-2008
耐火試驗



GA/T73-94
機械防盜鎖



QB/T2474-2000
彈子插芯門鎖



(2006) 国认监验字(062)号



No W08103A20021



2008000465Z



檢測
CNAS L0988



CNS 11227
防火門耐火 f(60A)

h i g h

s e c u r i t y

l o c k s



Name of quality & dependability

www.boncohardware.com

BONCO Ironmongery Ltd.
Member of E. Bon Holdings Ltd. (HKEx stock code 599)

18/F, First Commercial Building, 33 Leighton Rd., Causeway Bay, H.K.
Tel : (852) 2891 2188 Fax : (852) 2834 2652

