

W

R

A

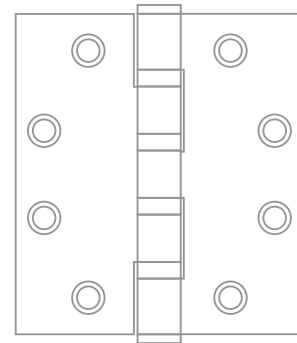
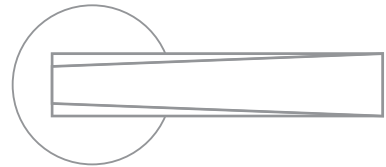
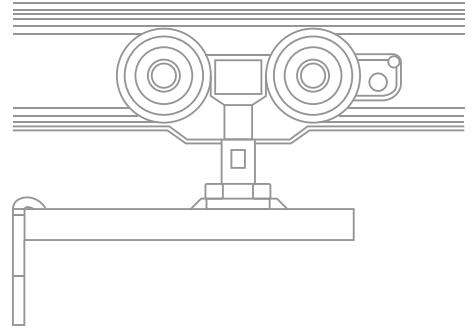
W

D

R

A

H



INDEX

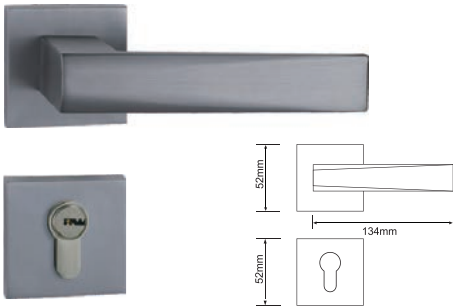
LEVER HANDLE p.2-5

HINGE p.6-11

HANGING SYSTEM p.12-14

LEVER HANDLE

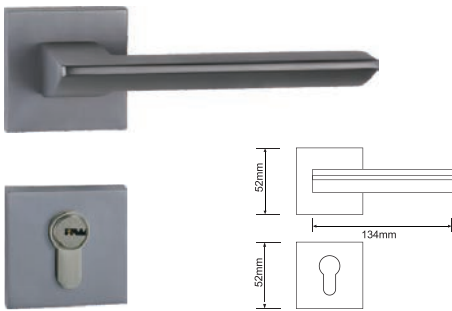
RL-L001S-RY



RL-L001R-RY



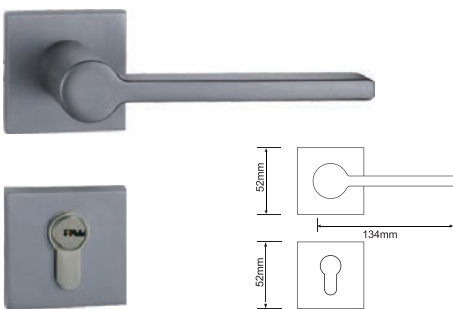
RL-L002S-RY



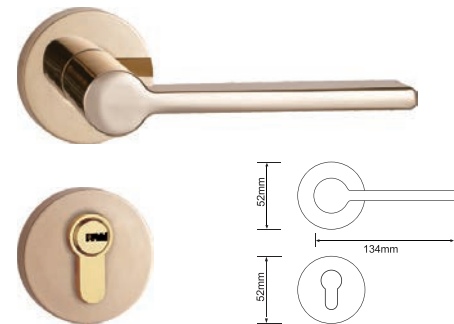
RL-L002R-RY



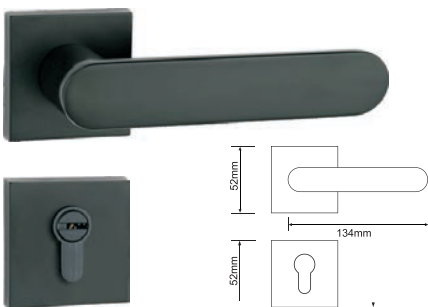
RL-L003S-RY



RL-L003R-RY



RL-L004S-RY



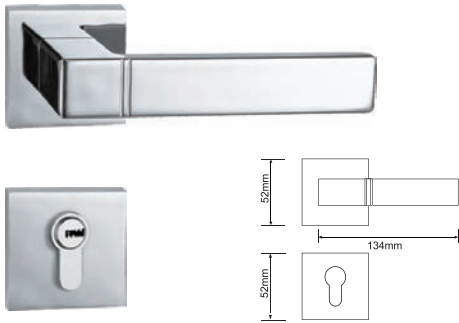
RL-L004R-RY



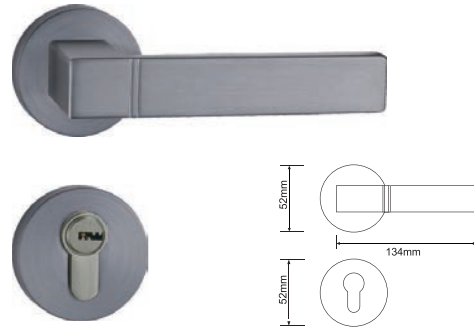
Lever Handle

LEVER HANDLE

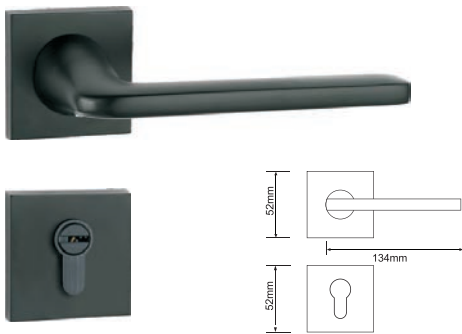
RL-L005S-RY



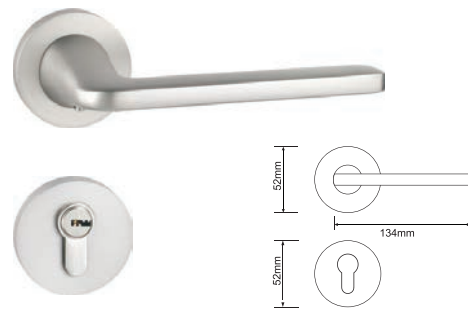
RL-L005R-RY



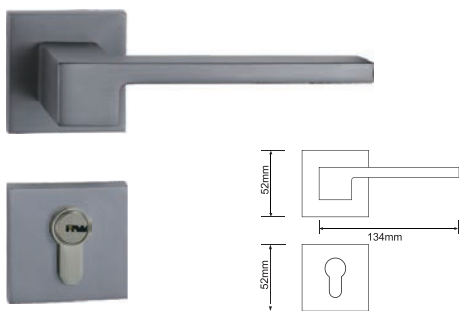
RL-L006S-RY



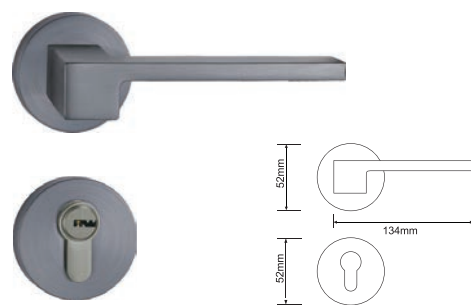
RL-L006R-RY



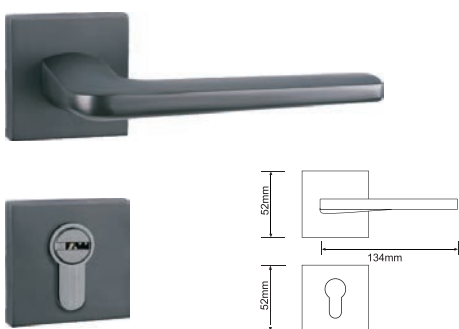
RL-L007S-RY



RL-L007R-RY



RL-L008S-RY



RL-L008R-RY



Lever Handle

LEVER HANDLE

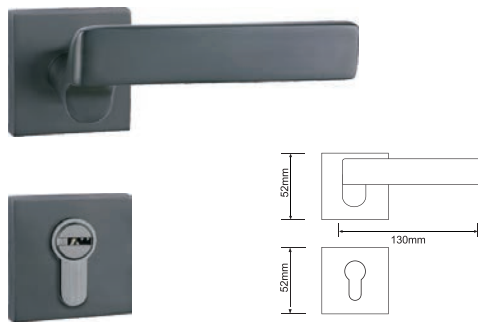
RL-L009S-RY



RL-L009R-RY



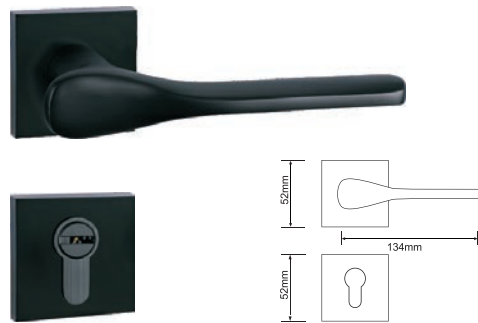
RL-L010S-RY



RL-L010R-RY



RL-L011S-RY



RL-L011R-RY



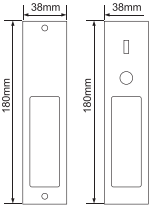
RL-L012R-RY



Lever Handle

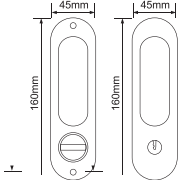
LEVER HANDLE

SL-001C



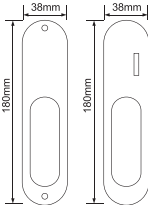
Antique Brass

SL-002C



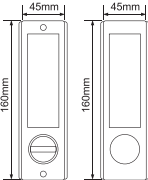
Black

SL-003



Satin Nickel

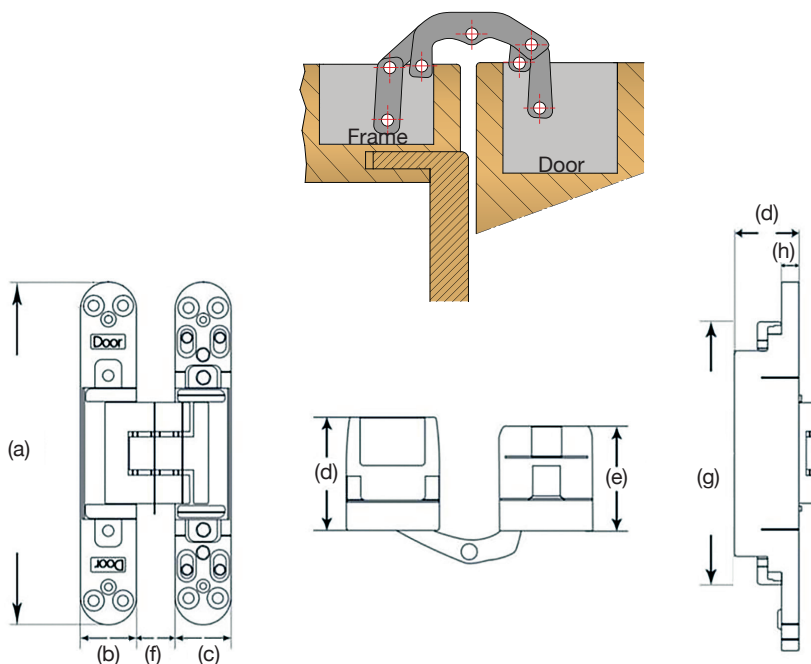
SL-004C



Black

Lever Handle

3D Stainless Steel (SUS 304) adjustable invisible hinge



Material	TL401SS-3D	TL402SS-3D	TL403SS-3D
	SUS 304 Stainless Steel		
Loading for 3 pieces	120 kg	120 kg	160 kg
Hinge height (a)	160 mm	170 mm	200 mm
Width door side (b)	29 mm	32 mm	33 mm
Width frame side (c)	29 mm	32 mm	33 mm
Depth door side (d)	33.5 mm	31 mm	43.5 mm
Depth frame side (e)	32mm	31 mm	42 mm
Door opening	180°	180°	180°
Width opening (f)	18 mm	23 mm	35 mm
Hinge base height (g)	124 mm	122 mm	148 mm
Face plate thickness (h)	9.5 mm	8 mm	10.5 mm
Side adjustment	-2.0 mm /+3.5 mm	-2.0 mm /+3.5 mm	-2.0 mm /+3.5 mm
Height adjustment	± 3.0 mm	± 3.0 mm	± 3.0 mm
Depth adjustment	± 1.2 mm	± 1.5 mm	± 1.5 mm
EN1634-1 (2 hrs fire test)	✓	✓	✓

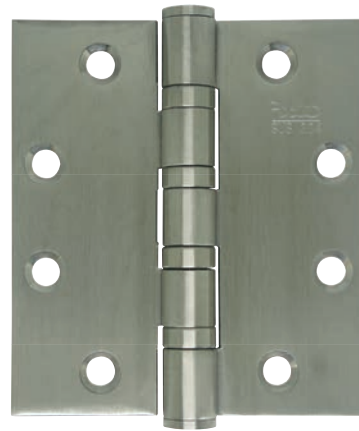
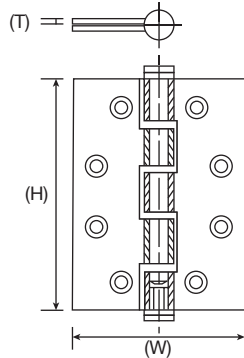
*Actual size will be based on sample submitted.

Stainless Steel (SUS 304) butt hinge with ball bearing washer

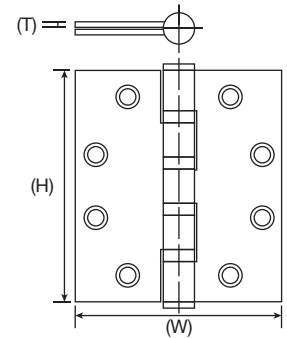
Confirm EN1634-1 2 hr fire-test



2543SW



3044-4BB



Model No.	Height (H)	Width (W)	Thickness (T)	2 ball bearing (2BB)	4 ball bearing (4BB)	stainless steel washer (SW)
2543	102 mm	76 mm	2.5 mm	✓	✓	✓
254/35	102 mm	89 mm	2.5 mm	✓	✓	✓
2544	102 mm	102 mm	2.5 mm	✓	✓	✓
2553	127 mm	76 mm	2.5 mm	✓	✓	✓
3043	102 mm	76 mm	3.0 mm	✓	✓	✓
304/35	102 mm	89 mm	3.0 mm	✓	✓	✓
3044	102 mm	102 mm	3.0 mm	✓	✓	✓
3045/4	114 mm	102 mm	3.0 mm	✓	✓	✓
3045	114 mm	114 mm	3.0 mm	✓	✓	✓
305/35	127 mm	89 mm	3.0 mm	✓	✓	✓
3054	127 mm	102 mm	3.0 mm	✓	✓	✓
3545/4	114 mm	102 mm	3.5 mm	✓	✓	✓
3545	114 mm	114 mm	3.5 mm	✓	✓	✓
4545	114 mm	114 mm	4.5 mm	✓	✓	-

Recommendation: 3 pieces per door

2.5 mm thickness hinge: 60 kg

3.0 mm thickness hinge: 80 kg

3.5 mm thickness hinge: 120 kg

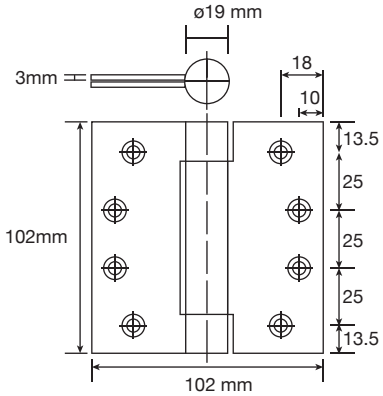
4.5 mm thickness hinge: 180 kg

*Actual size will be based on sample submitted.

Stainless Steel (SUS 304) single action spring hinge



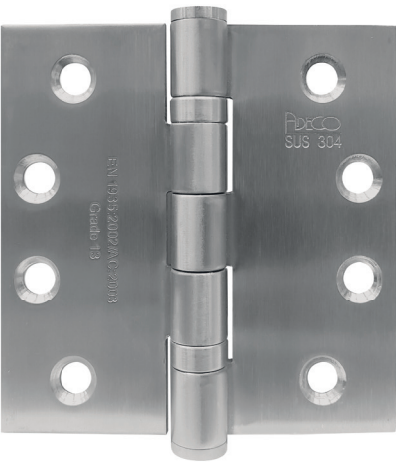
SA3100



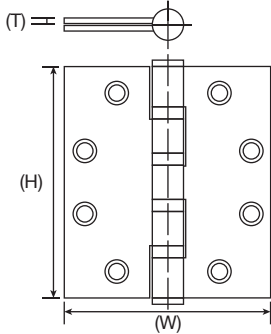
EN Stainless Steel (SUS 304) butt hinge with ball bearing washer

Confirm EN1634-1 2 hr fire-test / EN1935: 2002/AC:2003 (4-7-6-1-1-4-0-13)

Hinge



3044EN-2BB



Model No.	Height (H)	Width (W)	Thickness (T)	2 ball bearing (2BB)	4 ball bearing (4BB)
3043 EN	102 mm	76 mm	3.0 mm	✓	✓
304/35 EN	102 mm	89 mm	3.0 mm	✓	✓
3044 EN	102 mm	102 mm	3.0 mm	✓	✓
3045/4 EN	114 mm	102 mm	3.0 mm	✓	✓
3045 EN	114 mm	114 mm	3.0 mm	✓	✓
305/35 EN	127 mm	89 mm	3.0 mm	✓	✓
3054 EN	127 mm	102 mm	3.0 mm	✓	✓

*Actual size will be based on sample submitted.

Identification of the code

IDENTIFICATION OF THE CODE EN 1935:2002; EN 1935:2002/AC:2003							
1 st digit	2 nd digit	3 rd digit	4 th digit	5 th digit	6 th digit	7 th digit	8 th digit
Category of use	Durability	Door mass	Suitability for use on fire/smoke compartmentation doors	Safety of people	Corrosion resistance	Security of property	Hinge grade
4	7	6	1	1	4	0	13

Category of use (first digit)

grade 1 – Light duty = Hinges for use on doors or windows in housing or other living areas in buildings where there is a low frequency of use by those with a high incentive to exercise care and with a small chance of accidents occurring or of misuse.

grade 2 – Medium duty = Hinges for use on doors in housing or other living areas and in other buildings where there is a medium frequency of use by those with some incentive to exercise care but where there is some chance of accidents occurring or of misuse.

grade 3 – Heavy duty = Hinges for use on doors in buildings where there is a high frequency of use by public or others with little incentive to exercise care and with a high chance of accidents occurring or of misuse.

grade 4 – Severe duty = Hinges for use on doors which are subject to frequent violent usage.

Durability (second digit)

grade 3 = 10.000 cycles

grade 4 = 25.000 cycles

grade 7 = 200.000 cycles

Door mass (third digit)

grade 0 = 10 kg

grade 1 = 20 kg

grade 2 = 40 kg

grade 3 = 60 kg

grade 4 = 80 kg

grade 5 = 100 kg

grade 6 = 120 kg

grade 7 = 160 kg

Suitability for use on fire/smoke compartmentation doors (fourth digit)

grade 0: Not suitable for use on fire resistant and/or smoke control door assemblies

grade 1: Suitable for use on fire/smoke resistant door

Identification of the code

Safety of people (fifth digit)

It is identified as grade 1.

Corrosion resistance (sixth digit)

grade 0 = No defined resistance to corrosion.

grade 1 = mild resistance

grade 2 = moderate resistance

grade 3 = high resistance

grade 4 = very high resistance

Security of property (seventh digit)

grade 0 = not suitable for use on burglar-resistant door assemblies.

grade 1 = Suitable for use on burglar-resistant door assemblies.

Hinge grade (eighth digit)

14 degrees of hinge are identified:

Hinge Grade	Load Deformation Mass Kg	Overload Mass Kg	Shear load kN
1	20	30	1,5
2	40	60	1,5
3	40	60	1,5
4	40	60	1,5
5	80	120	1,5
6	80	120	1,5
7	80	120	1,5
8	120	180	1,5
9	120	180	1,5
10	120	180	1,5
11	160	240	3,0
12	200	300	6,0
13	240	360	10,0
14	320	480	15,0

HANGING SYSTEM

STS-180D / STS-180E

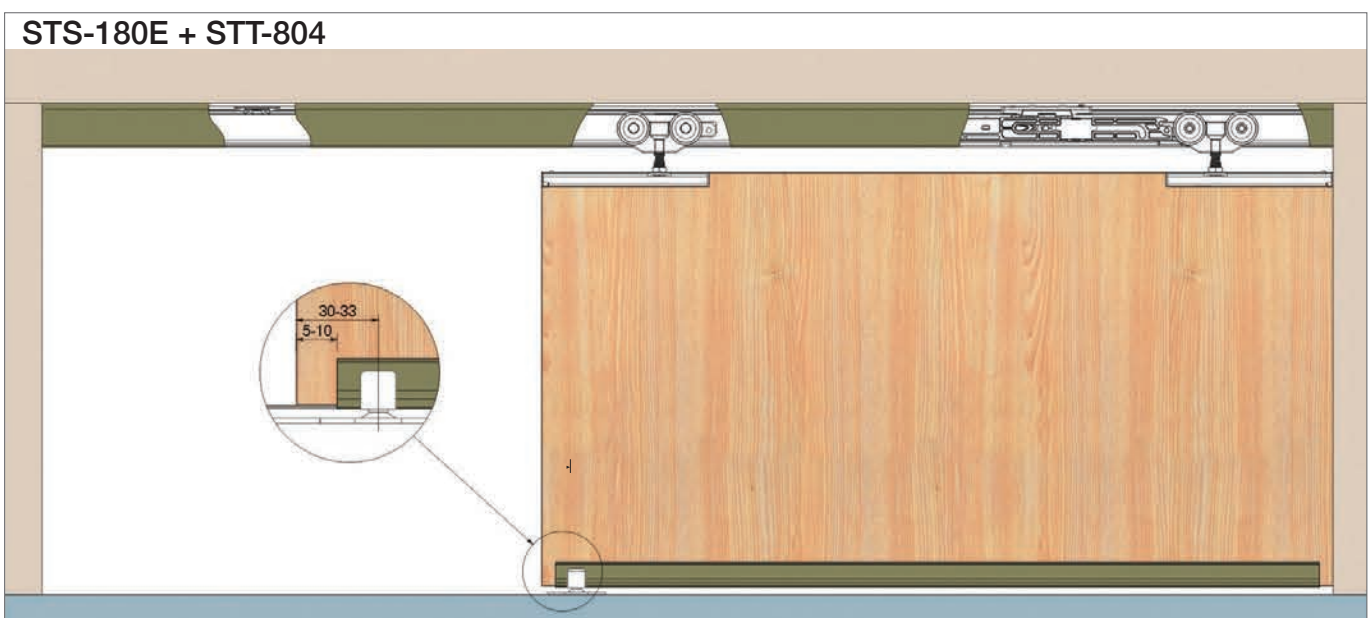
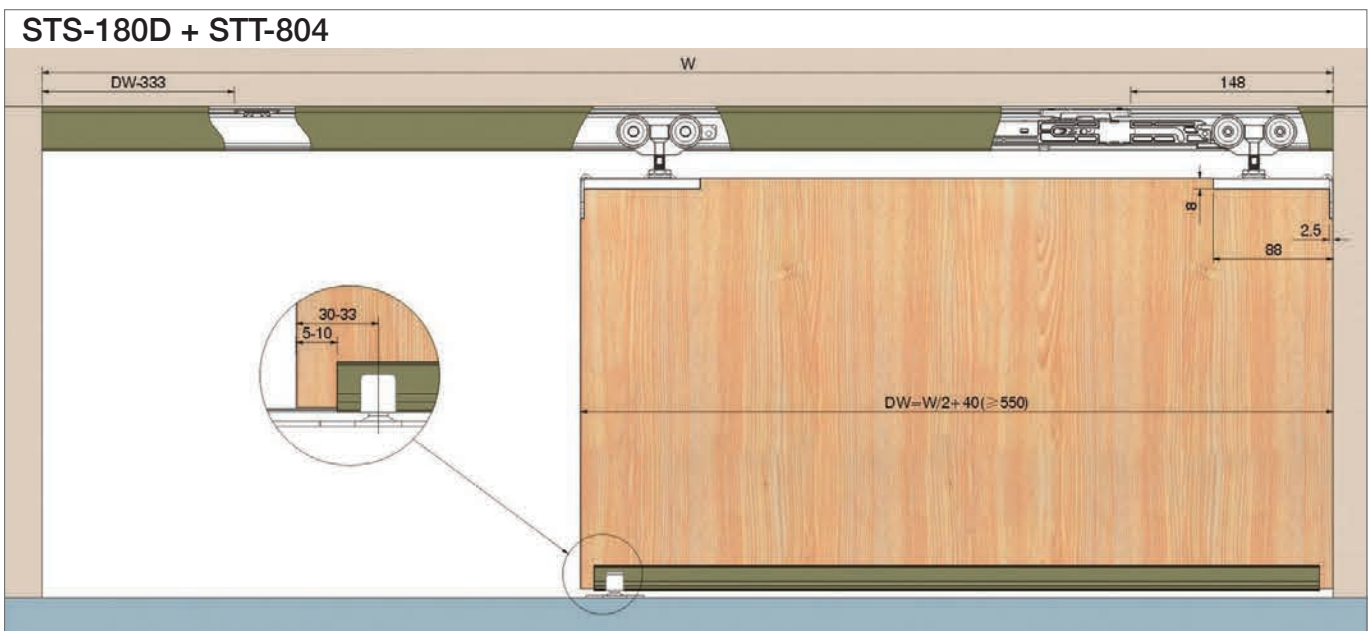
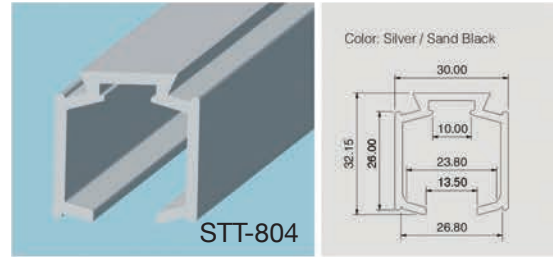
Wood door hanging sliding roller with two-way damper

Door weight : 80 kg / per leaf

Door width : 550 mm (min)

Door thicken : 30-45 mm

Door track : STT-804



HANGING SYSTEM

STS-183A

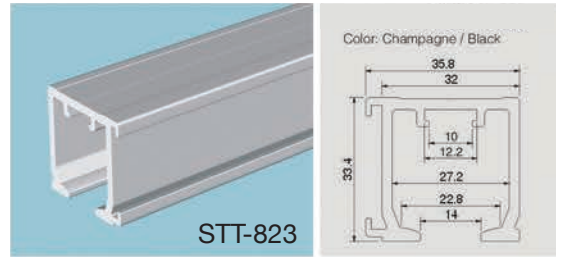
Linkage wood door hanging sliding roller with two-way damper (2+1)

Door weight : 60 kg / per leaf

Door width : 560 mm (min)

Door thicken : 35-48 mm

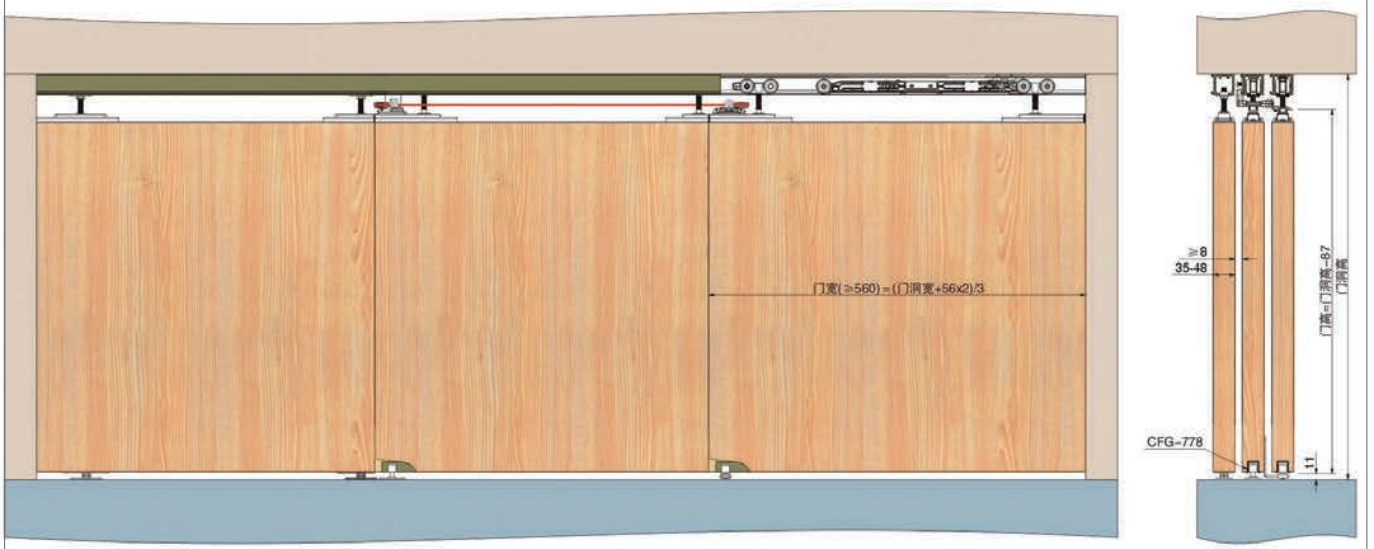
Door track : STT-823 x 2



STS-183A

阻尼上滑轮(1个)		上滑轮(3个)		阻尼限位件(2个)		短绕线轮(1个)	
长绕线轮(1个)	升降挂盒(1个)	连接挂盒(1个)	固定门上定位((2个)		固定门下定位(2个)		
连接下定位(1个)	下定位(1个)	钢丝固定件(1个)	钢丝连接件(1套)	钢丝(5Mx1)	挂盒底座(6个)		

STS-183A + STT-823



HANGING SYSTEM

STS-185A

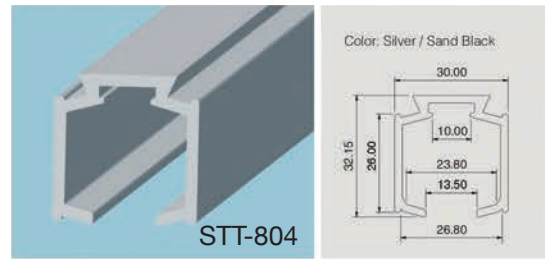
Telescopic synchro wood door hanging sliding roller with two-way damper

Door weight : 60 kg / per leaf

Door width : 560 mm (min)

Door thicken : 35 mm

Door track : STT-804



STS-185A					
阻尼上滑轮(1个)		上滑轮(3个)		阻尼限位件(2个)	
升降挂盒(2个)		对开升降挂盒A(1个)		对开升降挂盒B(1个)	
下定位(2个)		钢丝(10Mx1)		挂盒底座(4个)	



